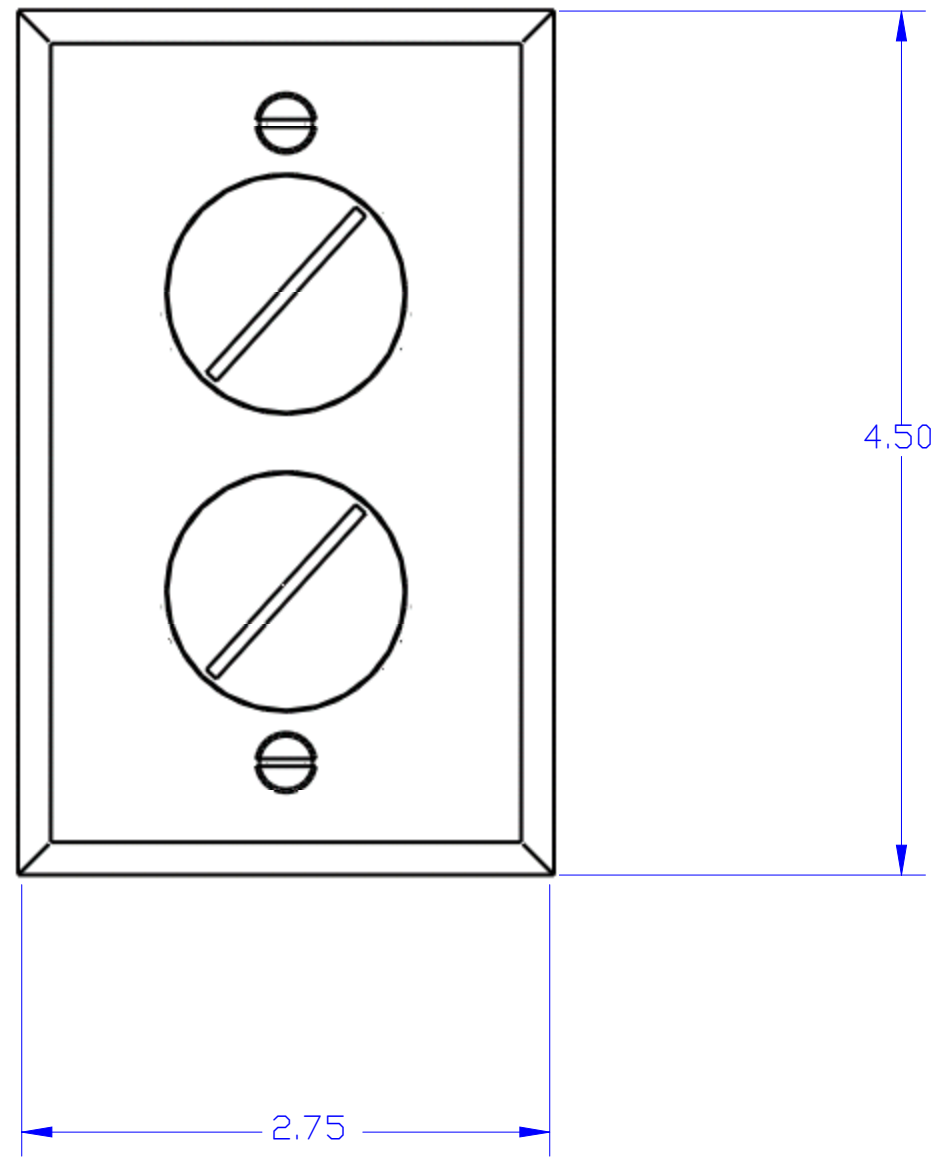


DESCRIPTION:  
BRASS, RECESSED FLOOR PLATE ASSEMBLY  
(DUPLEX RECEPTACLE)



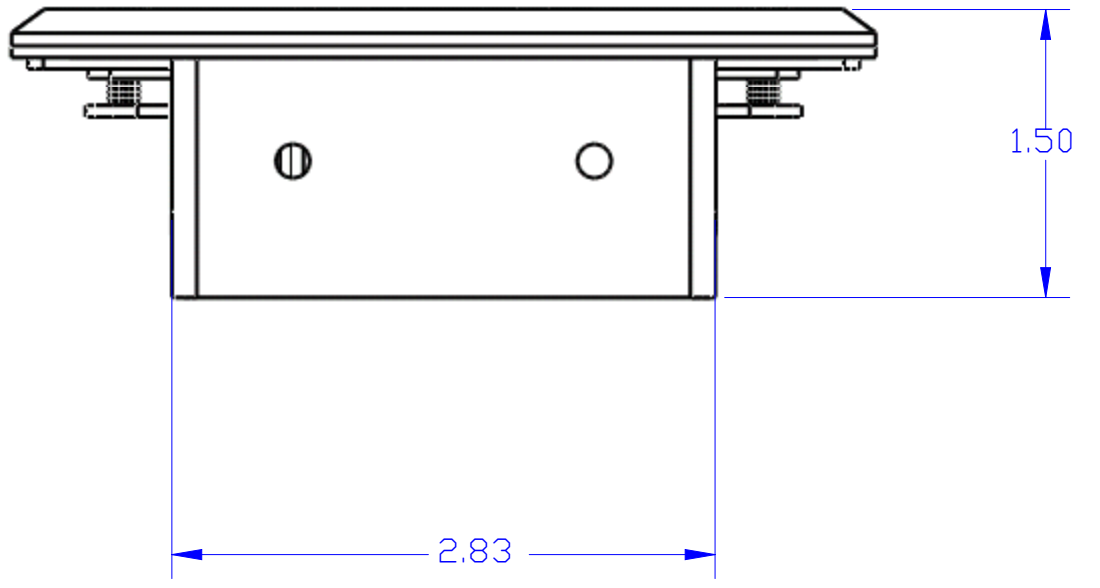
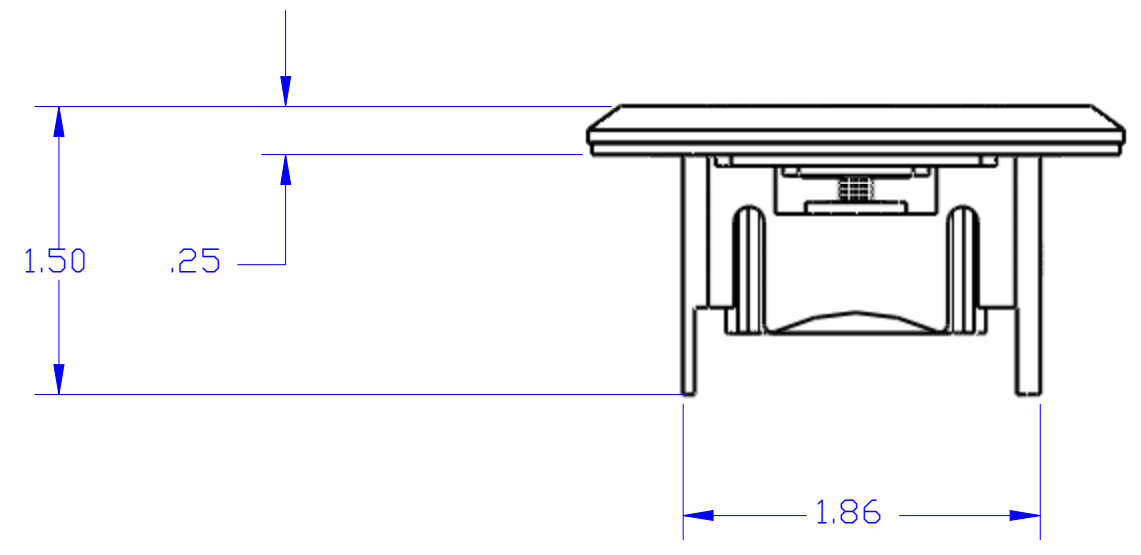
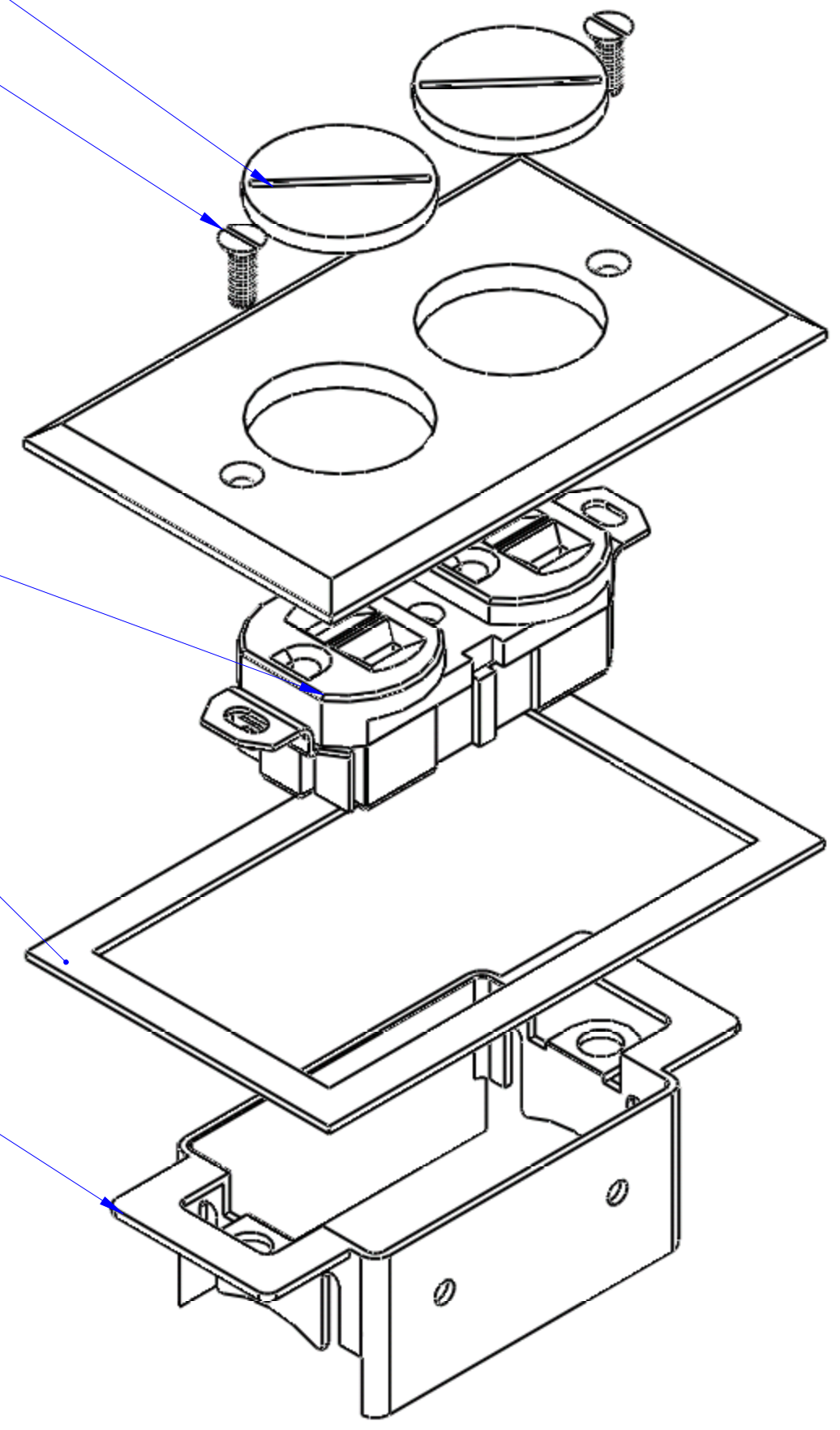
6212 PLUG


BRASS, [2] 6-32 X  
.75 FLAT HEAD SCREW  
[1.25 ALSO PROVIDED]

804 DRU

NEOPRENE GASKET

RRP-2-R





**LEW ELECTRIC  
FITTINGS COMPANY**  
SERVING THE ELCTRICAL INDUSTRY SINCE 1901  
1801 W. St. Charles Rd. Maywood, IL 60153  
PHONE: 708-345-2075

UNLESS OTHERWISE SPECIFIED:		NAME	DATE
DIMENSIONS ARE IN INCHES		DRAWN	PJG 11/30/2007
TOLERANCES:			
FRACTIONAL ±			
ANGULAR: MACH ± BEND ±			
TWO PLACE DECIMAL ±			
THREE PLACE DECIMAL ±			
INTERPRET GEOMETRIC TOLERANCING PER:			
MATERIAL		COMMENTS:	
FINISH			
DO NOT SCALE DRAWING			

**TITLE:**  
**RRP-2**

SIZE	DWG. NO.	REV
<b>C</b>	1001110	<b>A</b>
WEIGHT:	SHEET 3 OF 12	