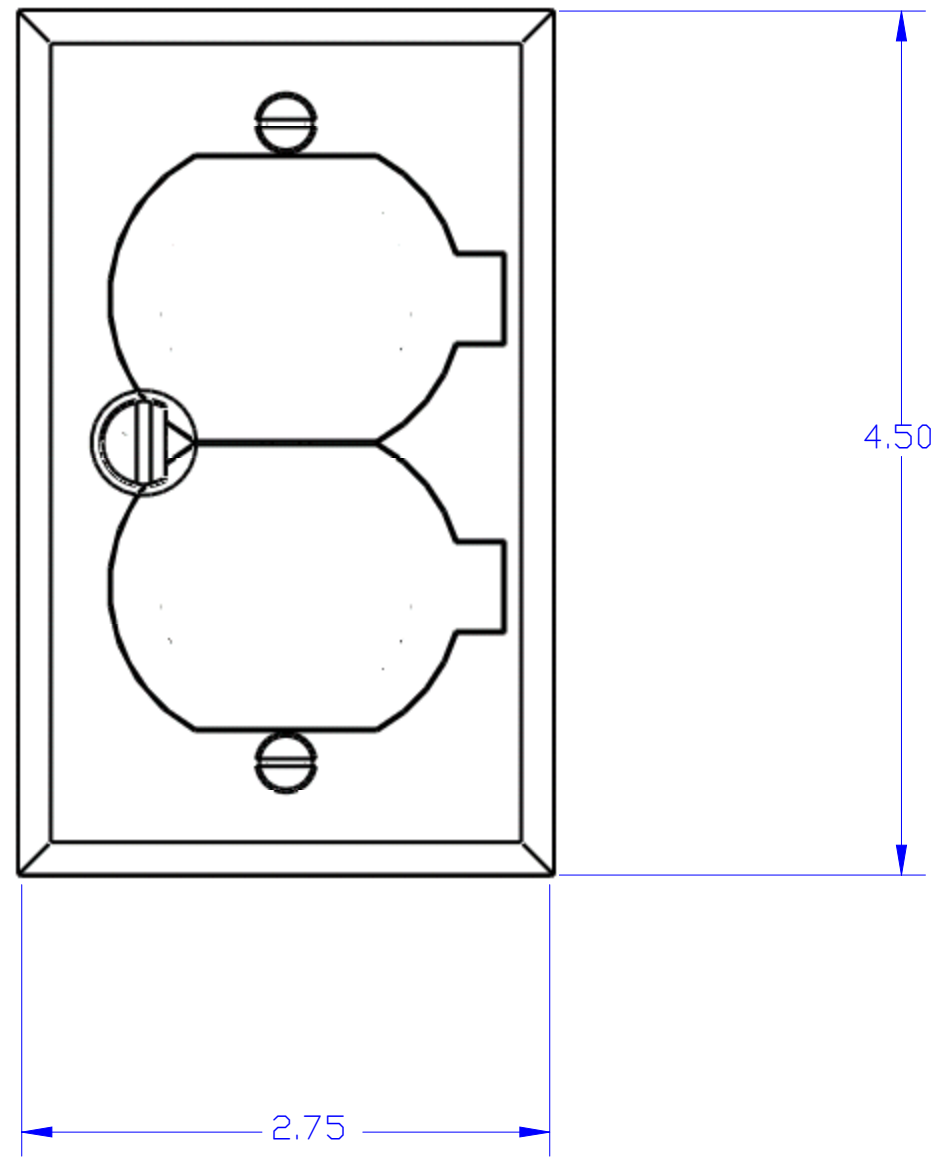


DESCRIPTION:
BRASS, RECESSED FLOOR PLATE FLIP LID
ASSEMBLY (DUPLEX RECEPTACLE)

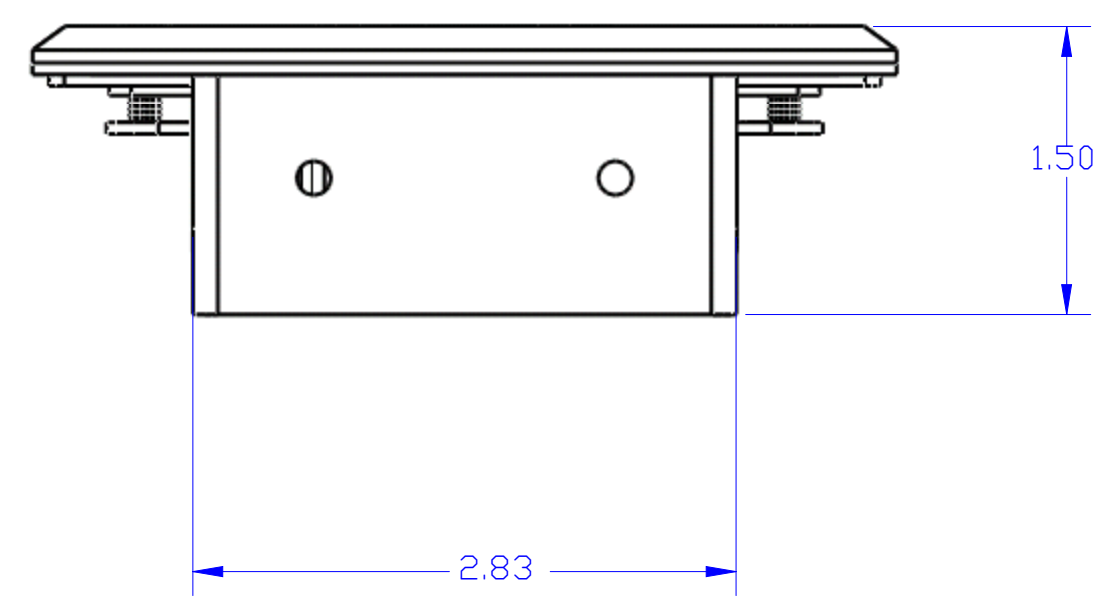
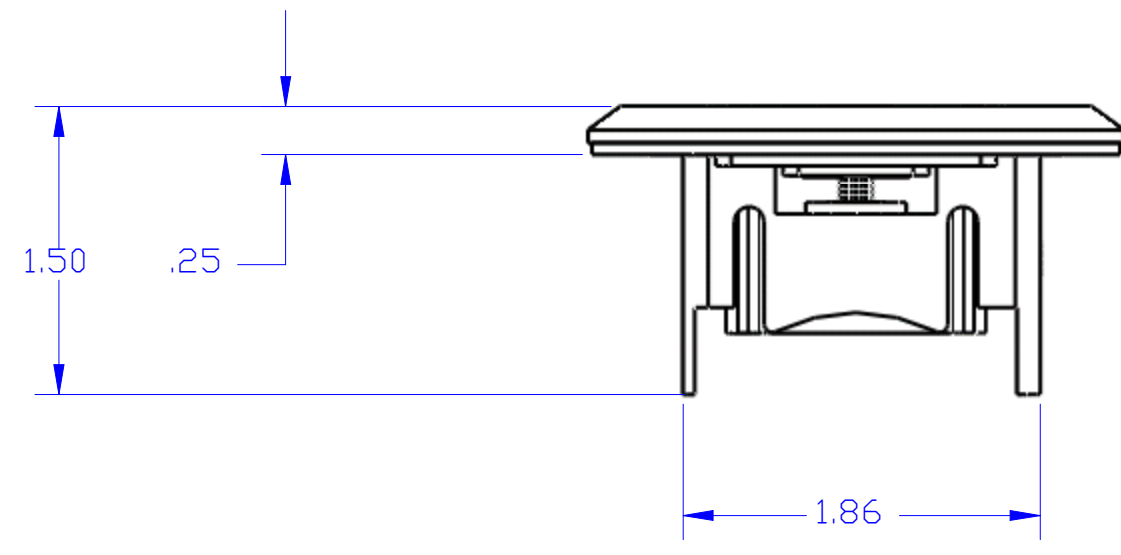
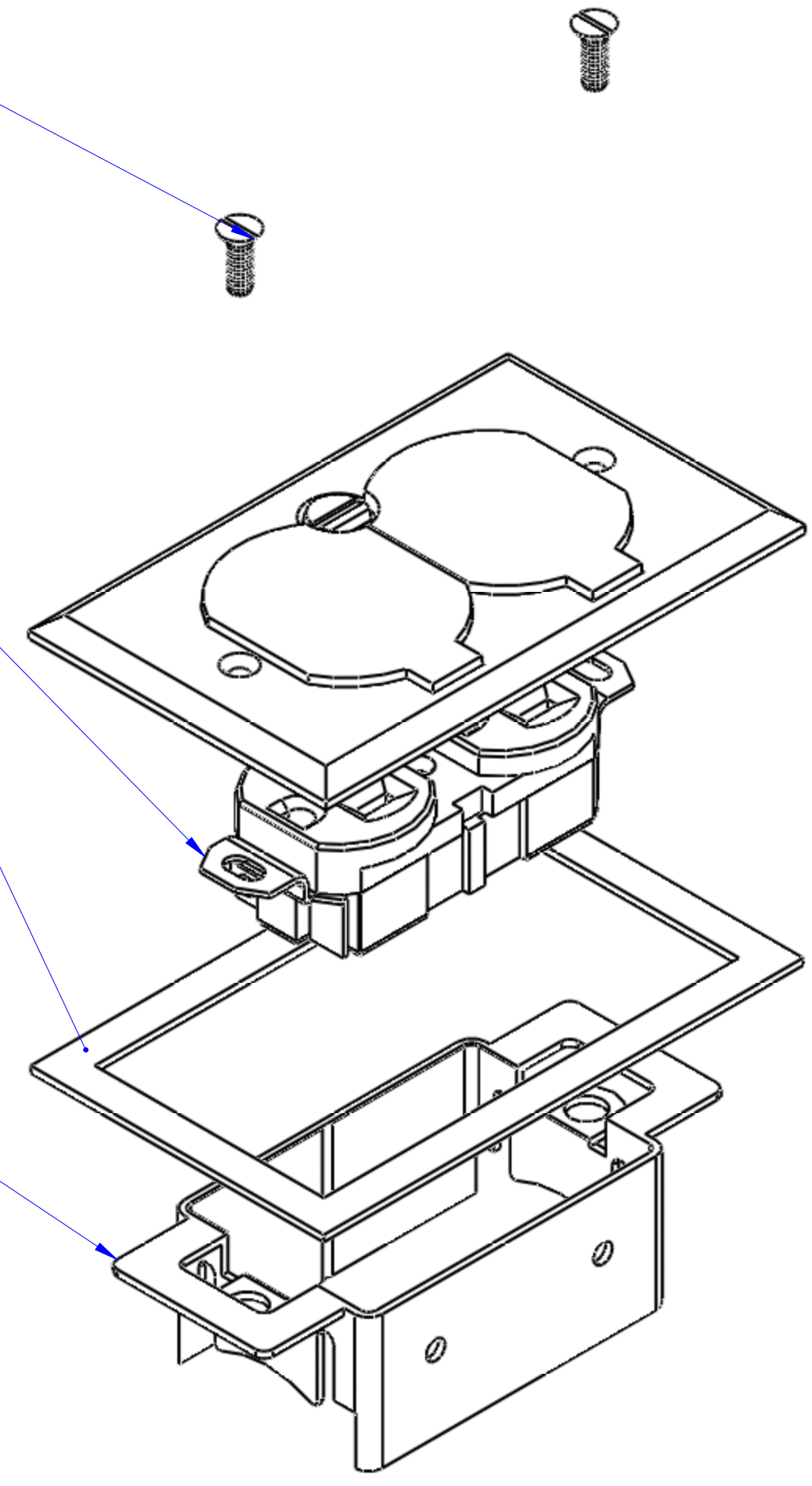


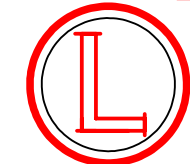
BRASS, [2] 6-32 X
.75 FLAT HEAD SCREW
[1.25 ALSO PROVIDED]

804 DRU

NEOPRENE GASKET

RRP-2-R





**LEW ELECTRIC
FITTINGS COMPANY**
SERVING THE ELCTRICAL INDUSTRY SINCE 1901
1801 W. St. Charles Rd. Maywood, IL 60153
PHONE: 708-345-2075

UNLESS OTHERWISE SPECIFIED:		NAME	DATE
DIMENSIONS ARE IN INCHES		DRAWN	PJG 11/30/2007
TOLERANCES:		TITLE: RRP-2-LR	
FRACTIONAL ±			
ANGULAR: MACH ± BEND ±			
TWO PLACE DECIMAL ±			
THREE PLACE DECIMAL ±		REV A	
INTERPRET GEOMETRIC TOLERANCING PER:		SIZE DWG. NO.	
MATERIAL		C 1001110	
FINISH		WEIGHT:	
DO NOT SCALE DRAWING		SHEET 9 OF 12	