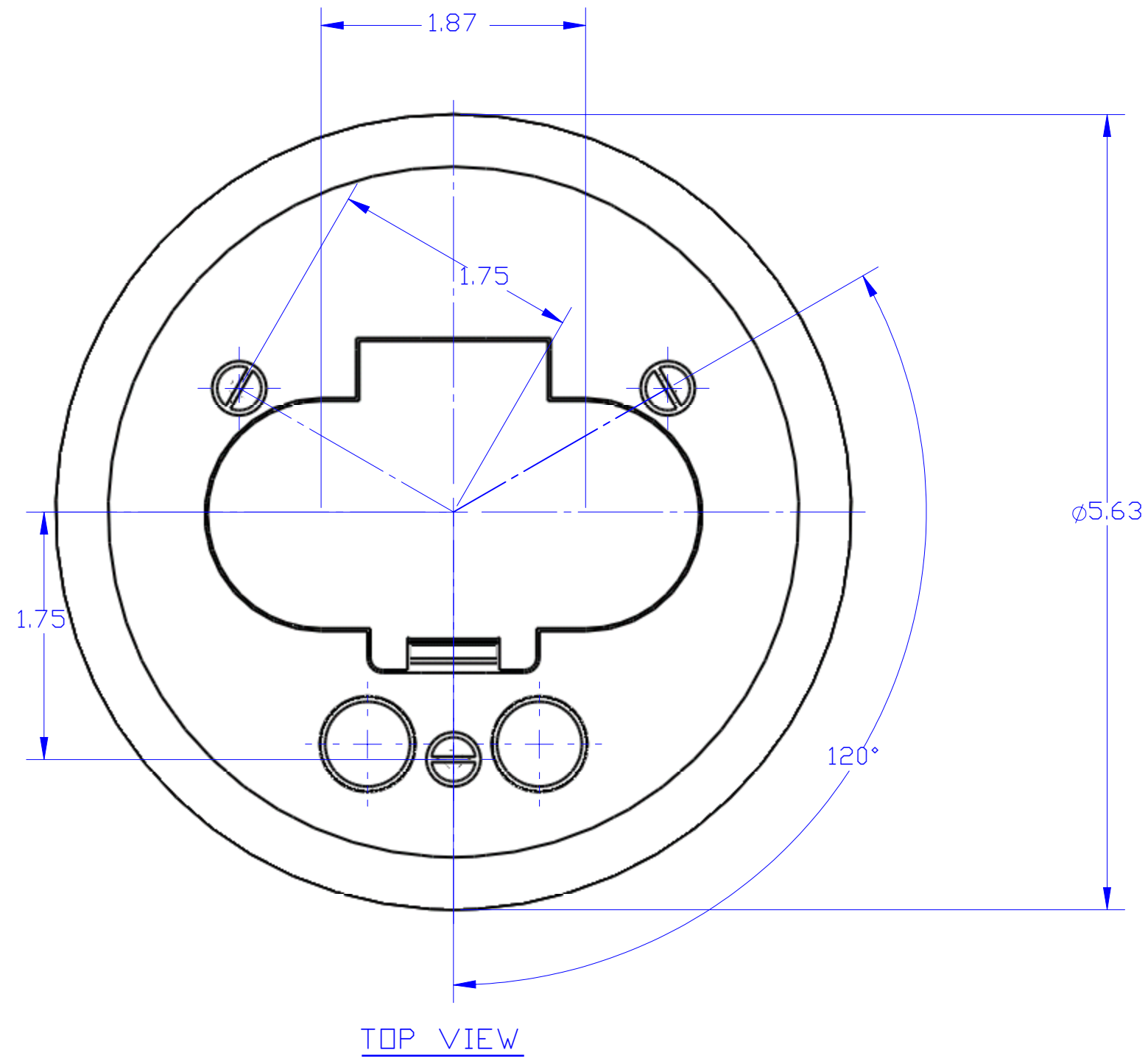


DESCRIPTION:
 GRAY PLASTIC FLANGED COVER, WITH SINGLE
 FLIP LID & DUPLEX MOUNT. PLT.



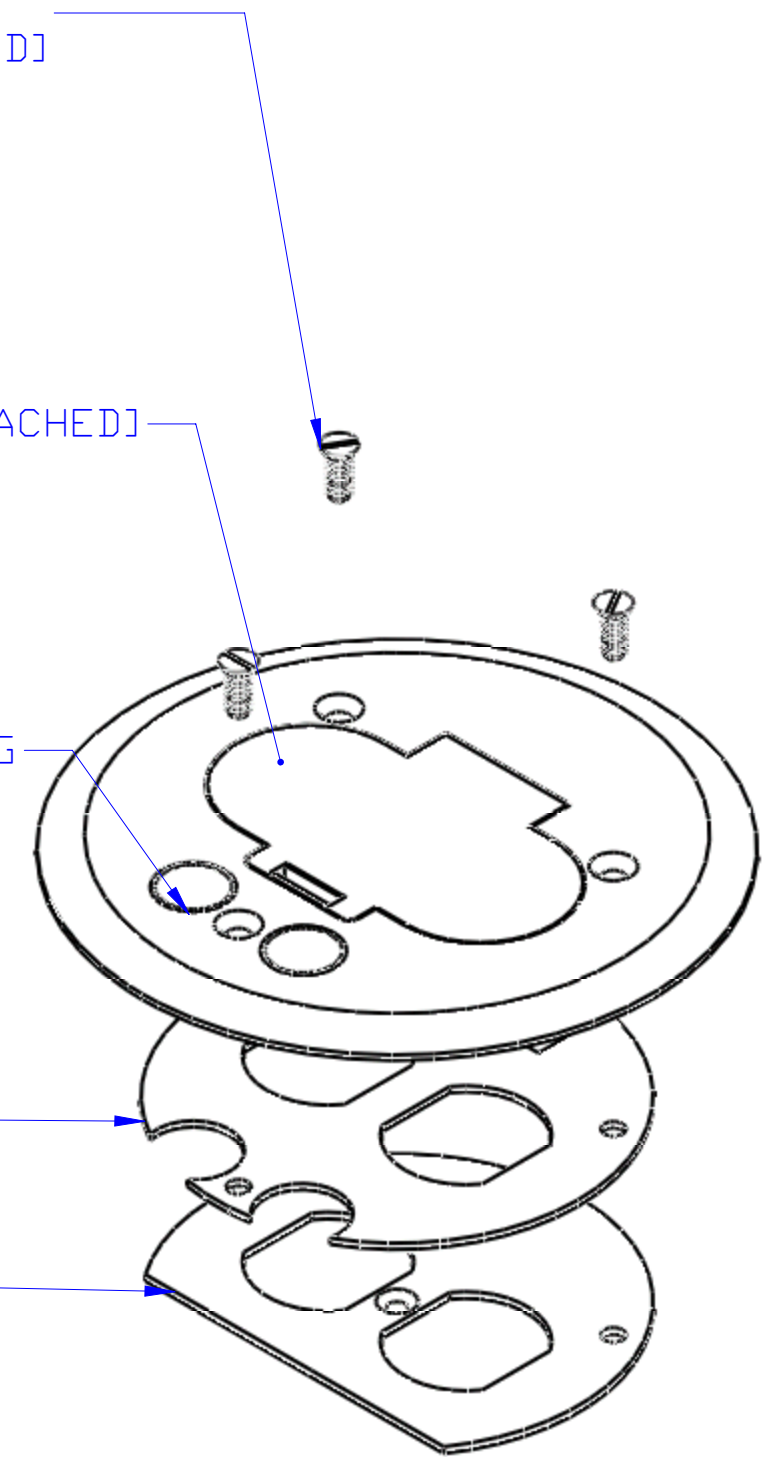
[3] 8-32 X .75
 FLAT HEAD SCREW [PROVIDED]

PLASTIC FLIP COVER [ATTACHED]

REMOVABLE DATA/COM PLUG

DFB-3

525-DP



LEW ELECTRIC
FITTINGS COMPANY
 SERVING THE ELCTRICAL INDUSTRY SINCE 1901
 1801 W. St. Charles Rd. Maywood, IL 60153
 PHONE: 708-345-2075

| | | | | |
|--------------------------------------|--|-----------|--------|--|
| UNLESS OTHERWISE SPECIFIED: | | NAME | DATE | TITLE: PFC-S |
| DIMENSIONS ARE IN INCHES | | DRAWN | P.J.G. | |
| TOLERANCES: | | | | SIZE DWG. NO. REV C 1001920 A |
| FRACTIONAL ± | | | | |
| ANGULAR: MACH ± BEND ± | | | | |
| TWO PLACE DECIMAL ± | | | | |
| THREE PLACE DECIMAL ± | | | | WEIGHT: SHEET 10 OF 18 |
| INTERPRET GEOMETRIC TOLERANCING PER: | | COMMENTS: | | |
| MATERIAL | | | | |
| FINISH | | | | |
| DO NOT SCALE DRAWING | | | | |