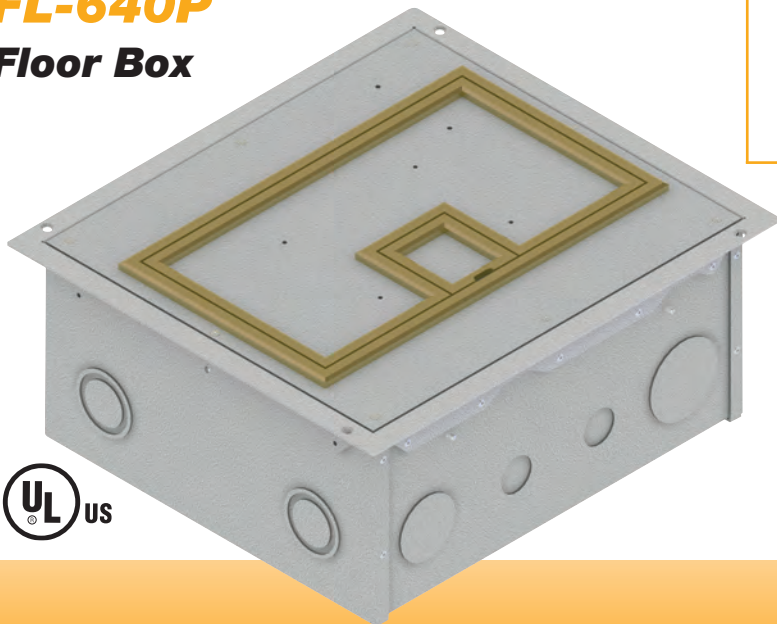


FL-640P Floor Box



FSR

Metal Products Group

FL-640P Floor Box

- 11-gauge steel temporary construction cover included
- 11-gauge finished steel cover with choice of carpet edging
- Mitered brass or aluminum carpet edging .25" high
- Stainless steel compression latches on models with carpet flanges
- Lift-off full access door

DESCRIPTION

The FL-640P floor box is designed for raised access floors. This floor box provides a practical solution for cable storage while maintaining easy access. The lift off section of the cover allows full access to the internal cables and connector plates. A smaller hinged trap door folds back to create the cable exit. Cables can be stored within the box when not in use, allowing unencumbered travel over the floor. The sturdy drop-in floor lip supports the unit and installs flush with the floor. The 1/4" carpet edging is available in brass or aluminum. Flat covers without flanges are also offered in black sandtex.

The innovation continues to the "transformable" back box. The FL-640P's internal brackets can be arranged to provide numerous options for both high and low voltage standard gang openings making it the most flexible and easiest to install floor box available. The 4" through 10" deep boxes are UL listed. The unit includes all the necessary internal plates and brackets to make "pre" and "post" installation compartment changes quick and easy. Using this system, both high and low voltage gang configurations along with line voltage compartment isolation can be implemented "on the fly". This makes just about any cabling/ connector scenario possible.

SPECIFICATIONS

| | | |
|---------|-----------|---------------------|
| Size: | Box: | 13.5" x 12" x depth |
| | Cover: | 14" x 12.5" x .125" |
| Edging: | Height: | .25" |
| | Material: | Brass or Aluminum |
| Weight: | Box: | 20.5 lbs. |
| | Cover: | 10 lbs. |

Flat Covers also available.

FIRE-RESISTANT FLOOR BOXES

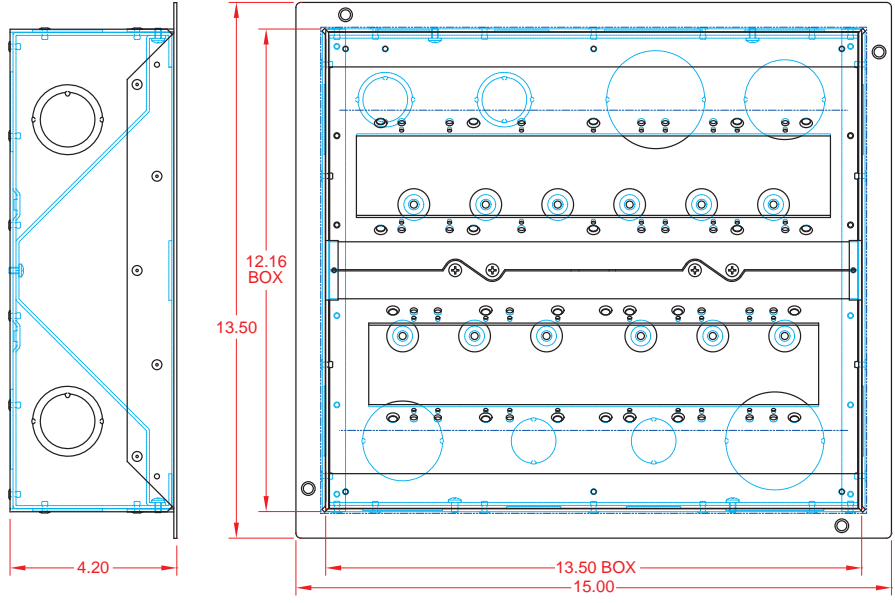


See Lit 1458 FR Brochure for details.

FSR also offers a line of larger Fire-Resistant floor boxes.

Our FL-500P-6-FRK and FL-605P-6-FRK floor solutions expand the versatility of our floor box line by providing enhanced, fire-resistant versions of our existing products. Our FRK kits are UL listed and comply with UL 263 Fire Resistance Ratings.

BACK BOX DETAIL DRAWINGS

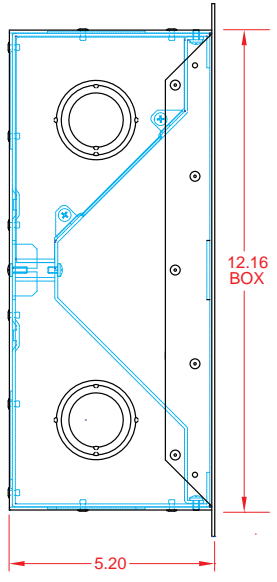


FL-640P-4

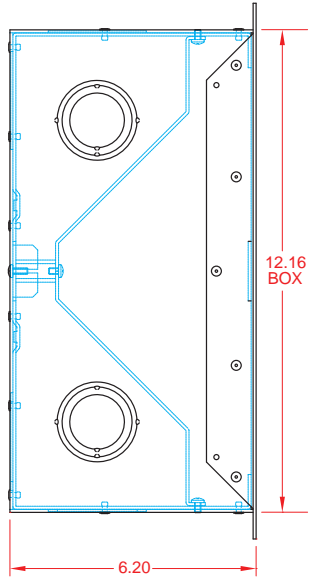
Length and width of backbox is the same for all models.

KNOCKOUT SPECIFICATIONS

| FL-640P-4 | |
|--------------------------|---------|
| KO trade size | Qty/Box |
| 3/4" | 4 |
| 3/4" / 1.00" Concentric | 4 |
| 1.00 / 1-1/4" Concentric | 4 |
| 1-1/2" | 4 |
| 2.00" | 4 |



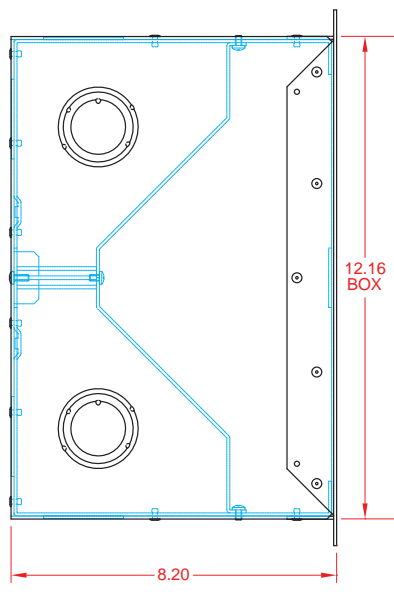
FL-640P-5



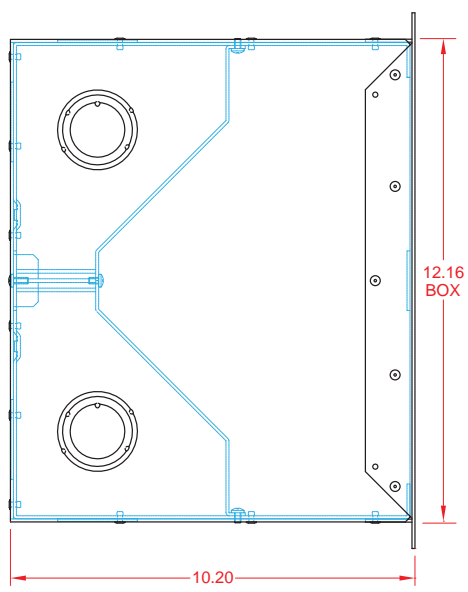
FL-640P-6

KNOCKOUT SPECIFICATIONS

| FL-640P-4 thru -8 | |
|-----------------------------------|---------|
| KO trade size | Qty/Box |
| 3/4" | 4 |
| 3/4" / 1.00" Concentric | 4 |
| 1.00 / 1-1/4" / 1-1/2" Concentric | 4 |
| 1-1/2" | 4 |
| 2.00" | 4 |



FL-640P-8



FL-640P-10

PLATE CONFIGURATIONS

5-gang side shown (4" through 10" boxes).

Box can be configured as shown, using the included parts.

Plate Configuration 1-1-2

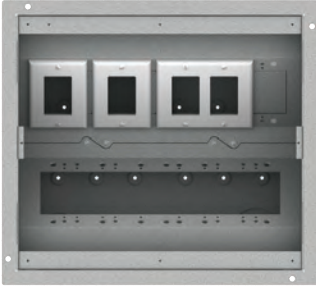


Plate Configuration 1-1-3

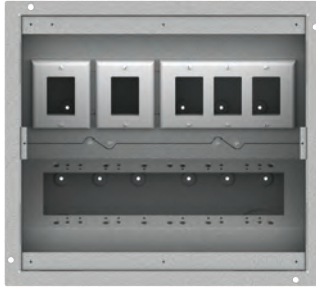


Plate Configuration 1-3-1

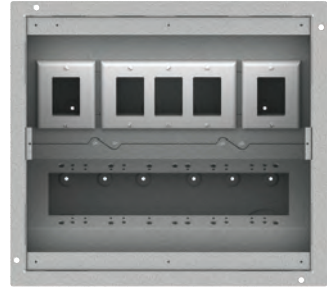


Plate Configuration 1-4



Plate Configuration 2-2

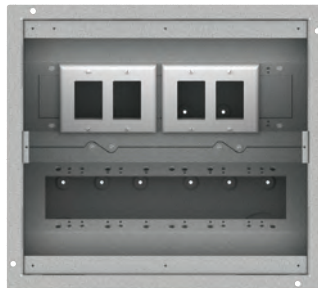


Plate Configuration 2-3

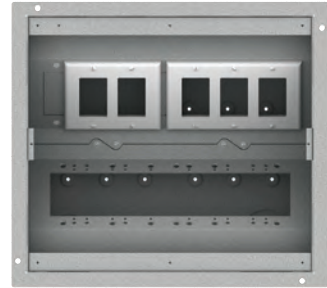


Plate Configuration 4-1



Plate Configuration 5-0

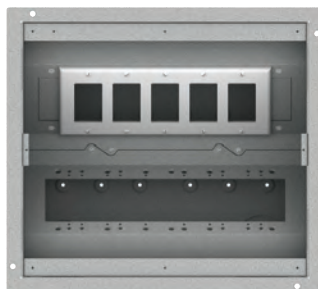


Plate Configuration 1-3 (a)

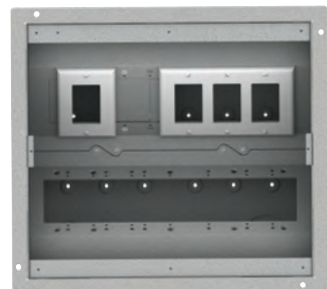


Plate Configuration 1-3 (b)

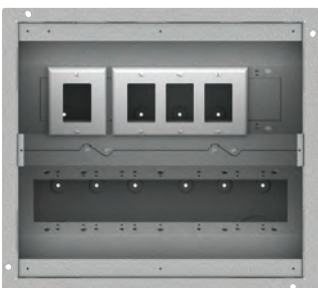


Plate Configuration 1-4

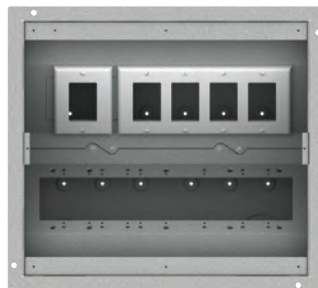


Plate Configuration 2-2

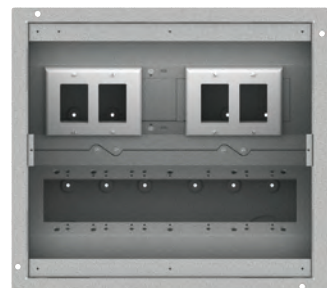


PLATE CONFIGURATIONS

6-gang side shown (4" through 10" boxes).

Box can be configured as shown, using the included parts.

Plate Configuration 2-2 (b)

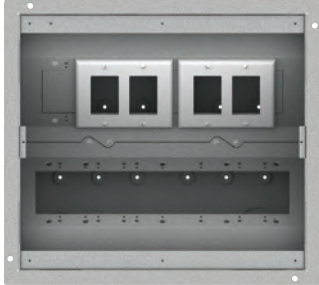


Plate Configuration 2-3

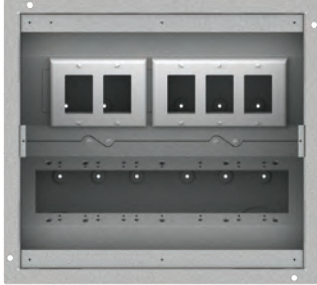


Plate Configuration 3-1

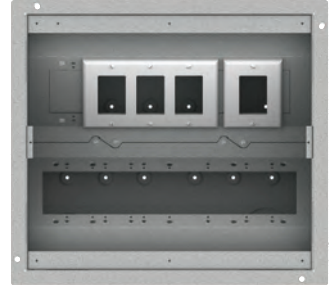


Plate Configuration 3-2

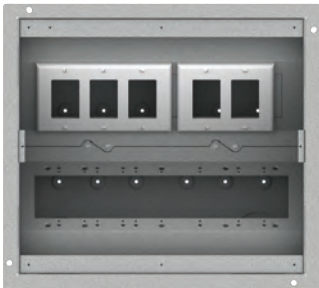


Plate Configuration 4-1

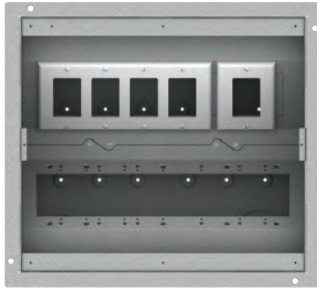
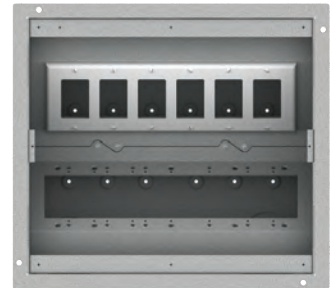
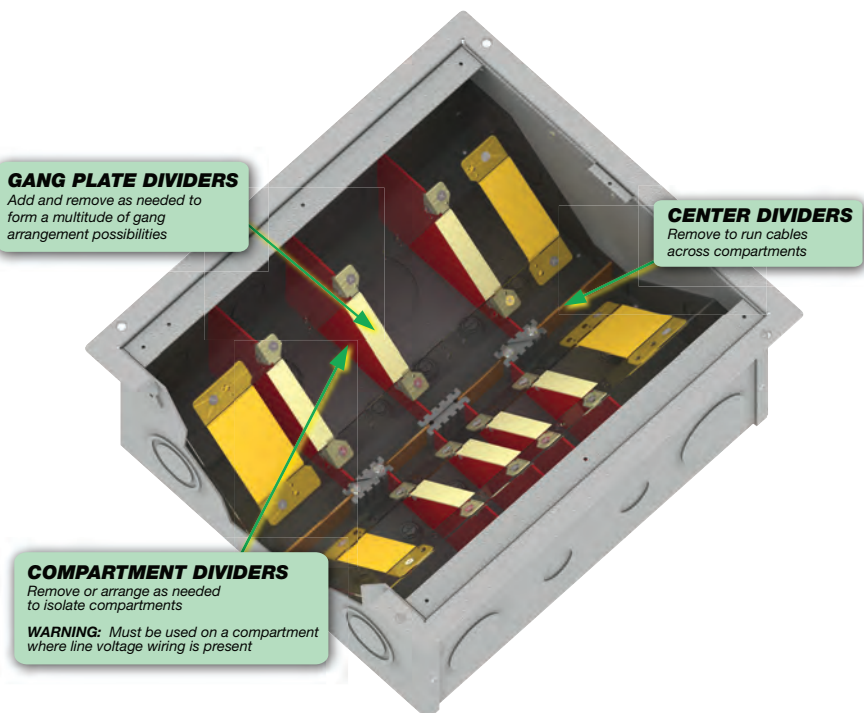


Plate Configuration 6-0

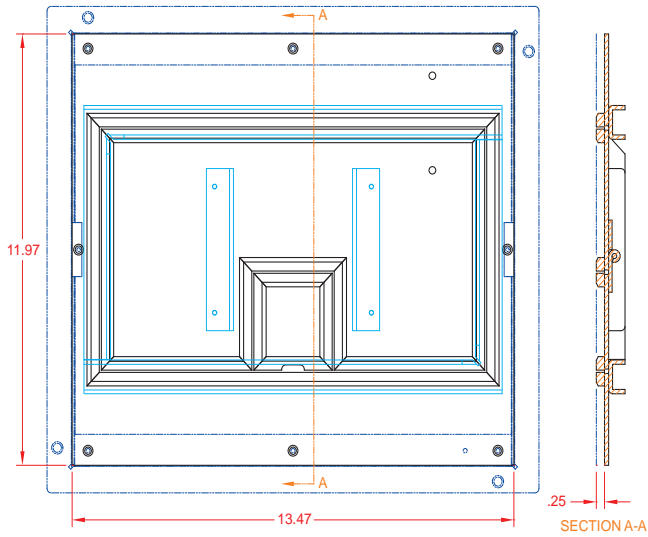


FL-640P "TRANSFORMABLE" BACKBOX

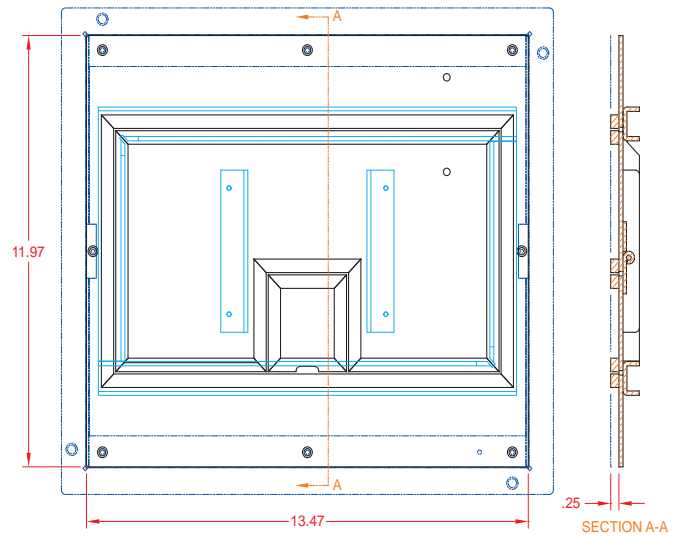


COVER DETAIL DRAWINGS

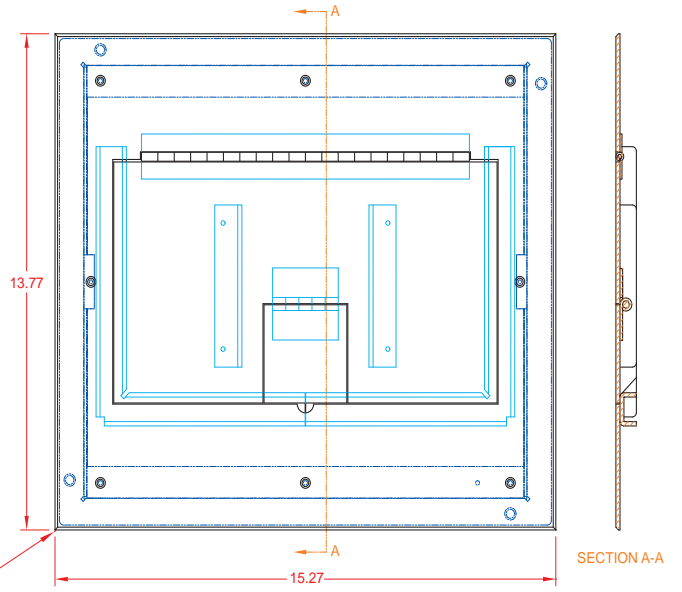
STYLE 1



STYLE 2

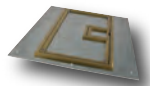


STYLE 3

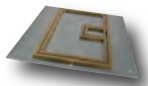


| STYLE | MODEL NUMBER | DESCRIPTION |
|-------|---------------|---|
| 1 | FL-640P-BLP-C | COVER WITH 1/4" BRASS CARPET FLANGE (LIFT OFF DOOR) |
| 2 | FL-640P-BSQ-C | COVER WITH 1/4" SQUARE BRASS CARPET FLANGE (LIFT OFF DOOR) |
| 1 | FL-640P-SLP-C | COVER WITH 1/4" ALUMINUM CARPET FLANGE (LIFT OFF DOOR) |
| 2 | FL-640P-SSQ-C | COVER WITH 1/4" SQUARE ALUMINUM CARPET FLANGE (LIFT OFF DOOR) |
| 3 | FL-640P-BLK-C | COVER (NO FLANGE) WITH HINGED DOOR IN BLACK SANDTEX |

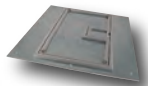
COVER OPTIONS



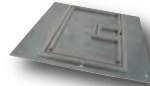
FL-640P-BLP



FL-640P-BSQ



FL-640P-SLP



FL-640P-SSQ

Floor Box Covers and Back Boxes ordering information

FL-640P – Requires ordering Cover and Back Box separately

| Item# | Part # | Description |
|---|----------------|--|
| Covers - UL Listed | | |
| 15529 | FL-640P-BLP-C | Cover With 1/4" Brass Carpet Flange (Lift off door) |
| 18272 | FL-640P-SLP-C | Cover With 1/4" Aluminum Carpet Flange (Lift off door) |
| 15983 | FL-640P-SSQ-C | Cover With 1/4" Square Aluminum Flange (Lift off door) |
| 15533 | FL-640P-BLK-C* | Cover (No Flange) With Hinged Door in Black Sandtex |
| Back boxes - UL Listed - Includes Steel Construction Cover | | |
| 15527 | FL-640P-4-B | FL-640P Back Box - 4" Deep |
| 15528 | FL-640P-6-B | FL-640P Back Box - 6" Deep |
| 18081 | FL-640P-5-B | FL-640P box bottom - 5" Deep |
| 17171 | FL-640P-8-B | FL-640P Back Box - 8" Deep |
| 17178 | FL-640P-10-B | FL-640P Back Box - 10" Deep |

* Black cover not pictured.



244 Bergen Boulevard, Woodland Park, NJ 07424
 Phone: 973.785.4347 · Fax: 973.785.4207
 Web: www.fsrinc.com · E-mail: sales@fsrinc.com