

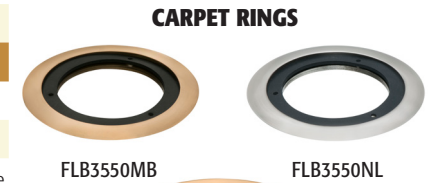
Flush-to-Floor Round Cut-In Floor Box Kits with Threaded Plugs

3.5" round, UL Listed non-metallic floor box for existing wood or concrete floor.* Installs with 2 hole saw cuts.

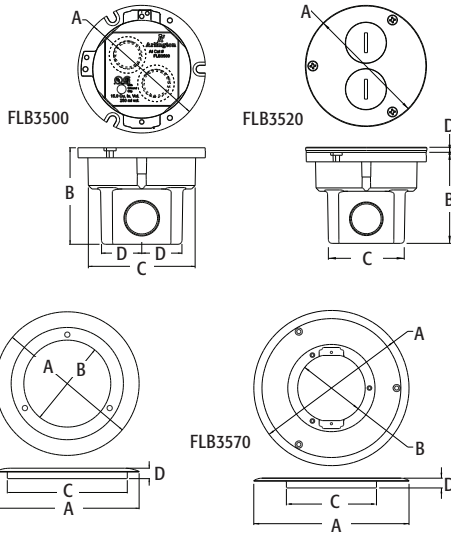
FEATURES AND BENEFITS

- Easy to install in existing wood or concrete* floor
- Hide miscut flooring, cover edges of cut carpet, and get a neater finish with an oversized ring or carpet ring to match your cover

CATALOG NUMBER	UPC/DCI/NAED MFG #018997	DESCRIPTION	UNIT PKG	STD PKG	DIM A	DIM B	DIM C	DIM D
FLB3500	00733	Non-metallic round cut-in box for existing wood or concrete floor	4	4	3.968	3.000	3.318	1.250
KITS WITH METAL COVERS, THREADED PLUGS								
FLB3520MB	00734	Brass	1	1	3.995	3.000	2.500	.169
FLB3520NL	00735	Nickel-plated brass	1	1	3.995	3.000	2.500	.169
CARPET RINGS								
FLB3550MB	00738	Brass	1	1	5.137	3.110	4.291	.374
FLB3550NL	00739	Nickel-plated brass	1	1	5.137	3.110	4.291	.374
OVERSIZED TRIM RINGS								
FLB3570MB	00740	Brass	1	1	7.141	3.109	4.143	.450
FLB3570NL	00741	Nickel-plated brass	1	1	7.141	3.109	4.143	.450
TRIM KITS WITH METAL COVERS								
FLB3520MBTK	00736	4" Round, Brass	1	1	3.995	3.000	2.500	.169
FLB3520NLTK	00737	4" Round, Nickel-plated brass	1	1	3.995	3.000	2.500	.169



*Electrical conduit must be accessible from underneath floor if installing in concrete. PATENTS PENDING.



FLB3520 FLOOR BOX KITS INCLUDE...

UL listed non-metallic floor box, round metal cover in brass or nickel-plated brass, non-metallic gasket support plate, gasket, UL listed 15 amp TR duplex receptacle, NM942 cable connector, (3) #8 x 1/2" flat head screws, and (1) #6 x 1/2" screw

Scan For Video



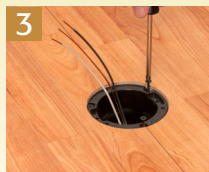
INSTALLATION INSTRUCTIONS



1 Using a 4" diameter hole saw, cut opening in floor approximately 1/2" deep, taking care to avoid structural framing members.



2 Next, use a 3-1/2" hole saw to cut through the remaining flooring/subfloor, creating a shelf at the desired depth of the box. Remove material that remains between the saw cuts.



3 Pull cable. Install in box with supplied cable connector. Attach box to floor with (3) #6 x 1-1/4" wood screws (not supplied) through the U-shaped cut outs in the box flange.



4 Wire receptacle. Install box.



5 Attach plastic gasket support plate to receptacle with #6 x 1/2" screw. Install gasket.



6 Attach cover to box with (3) #8 x 1/2" flat head machine screws.