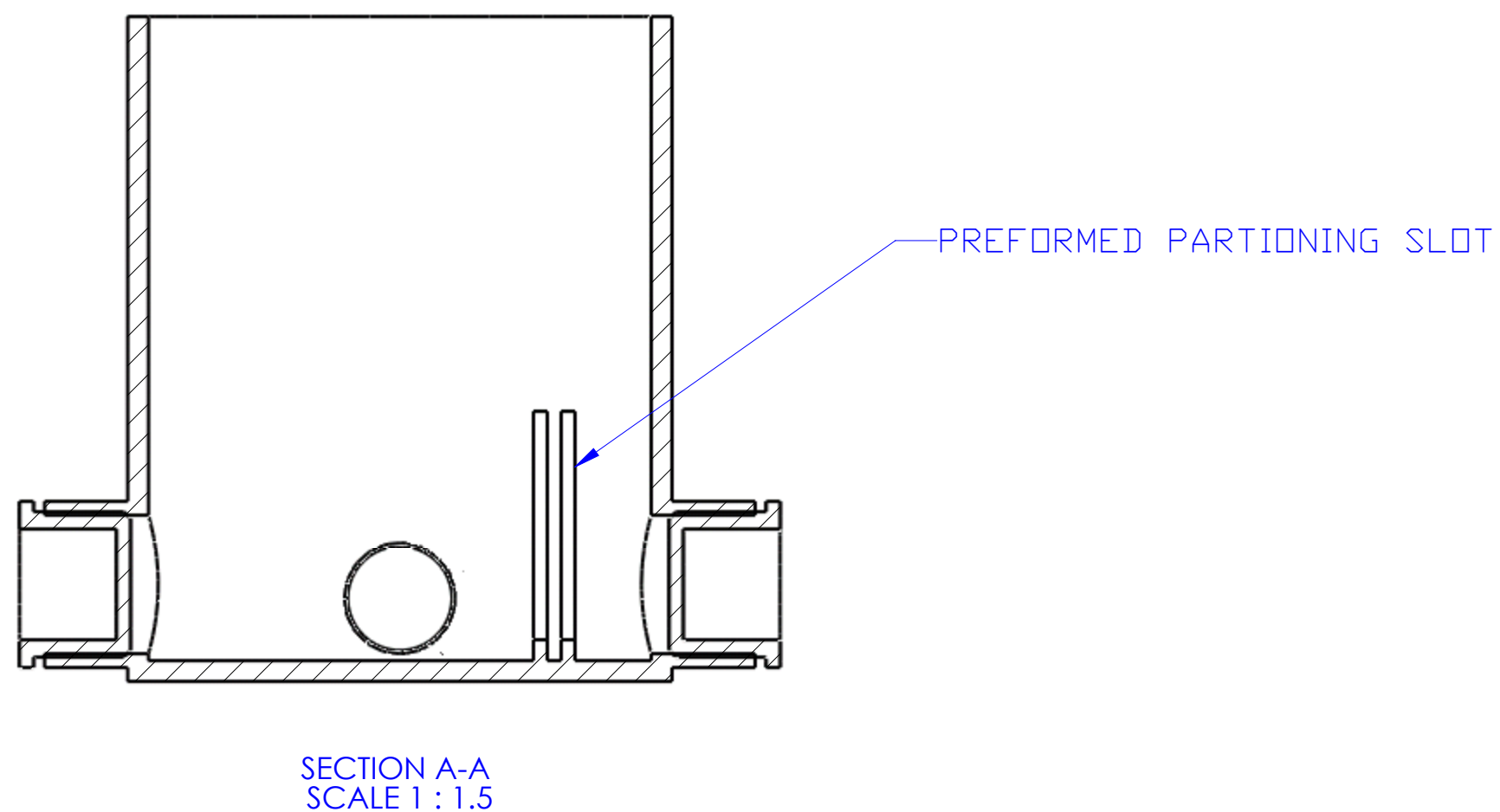
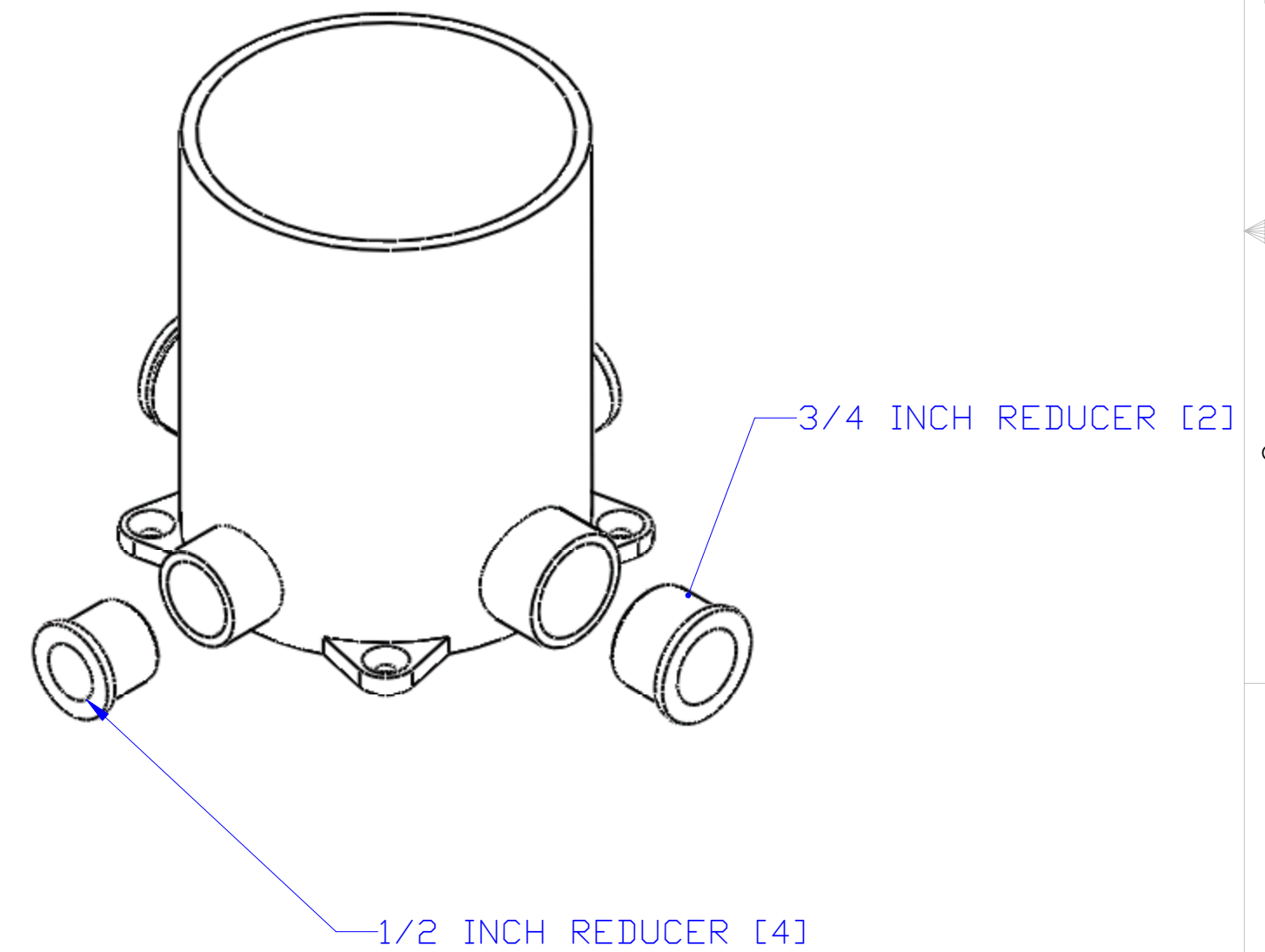
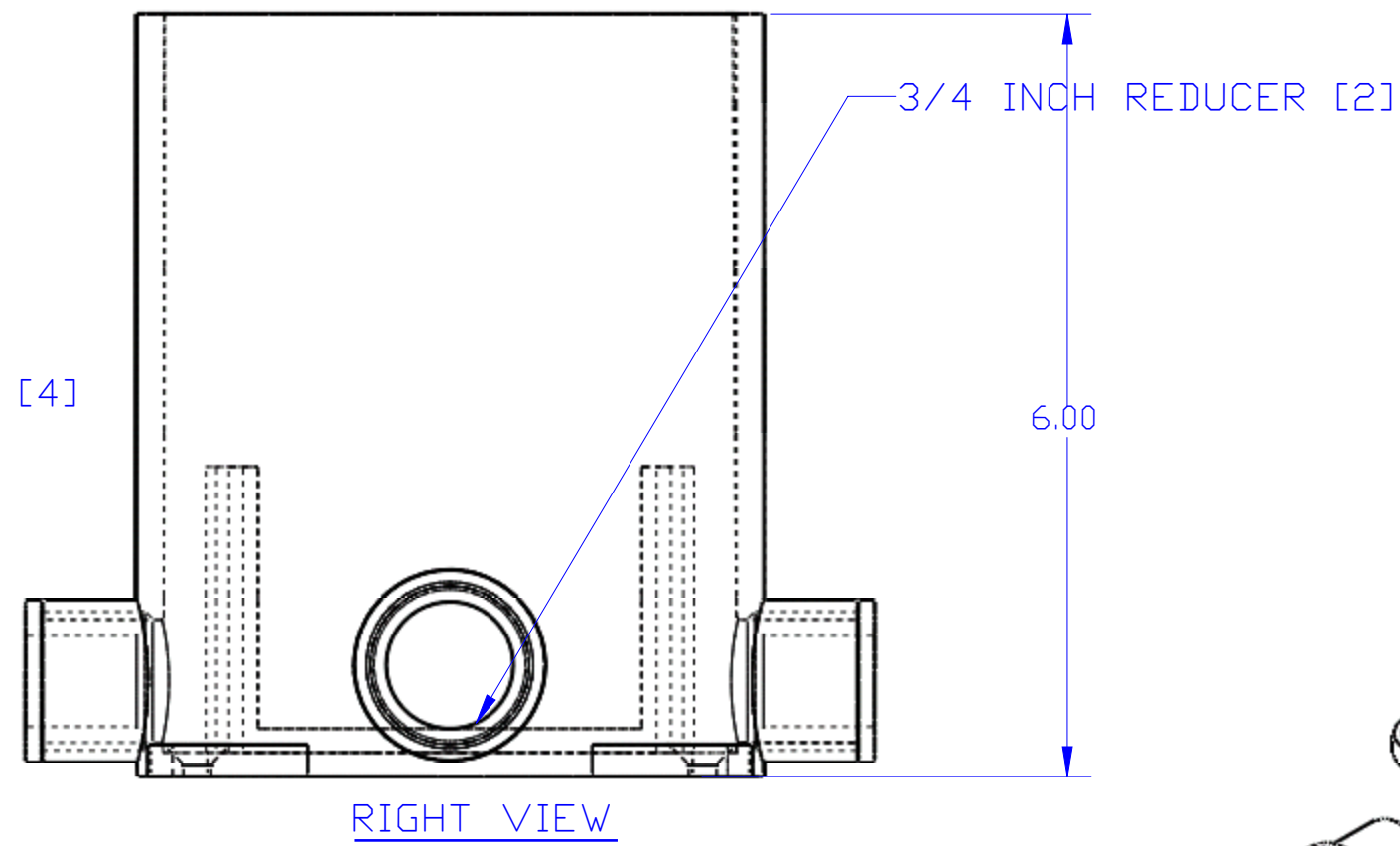
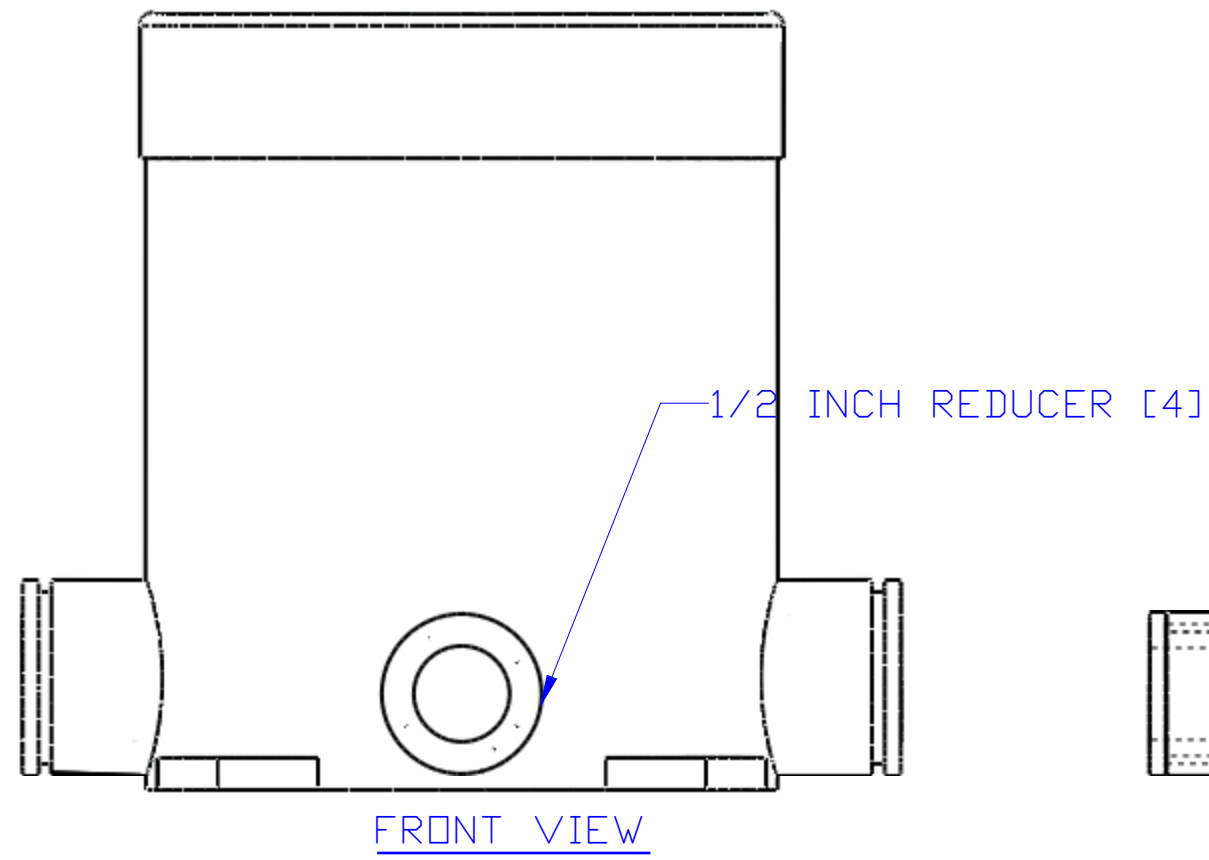
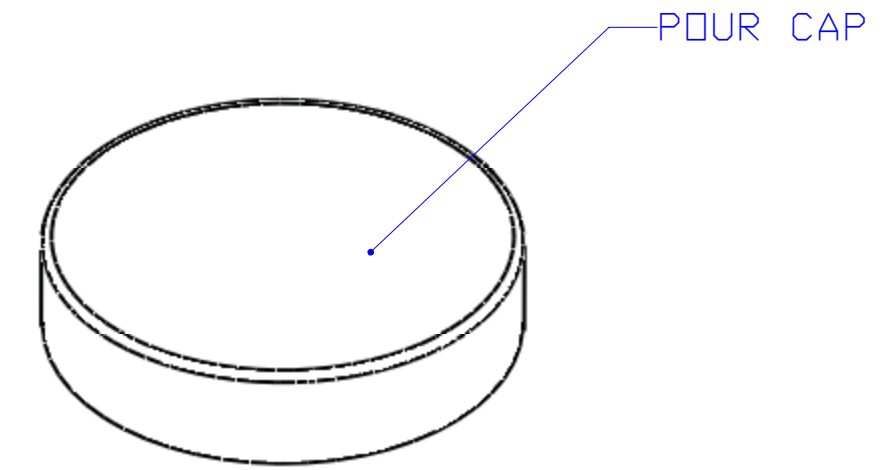


DESCRIPTION:  
 ROUND PVC BOX WITH (4) 3/4" HUBS, (2) 1" HUBS, (2) 3/4" REDUCERS, 5" 6" 90 CU. IN. (15.5/IN.) (4) 1/2" REDUCERS, PRE-FORMED PARTITIONING SLOT (SLIDE NOT INCLUDED), ADAPTER RING NOT INCLUDED

NOTES: INTERIOR CAPACITY 90 Cu. In. (15.5/In.)



**LEW ELECTRIC**  
**FITTINGS COMPANY**  
 SERVING THE ELCTRICAL INDUSTRY SINCE 1901  
 1801 W. St. Charles Rd. Maywood, IL 60153  
 PHONE: 708-345-2075

UNLESS OTHERWISE SPECIFIED:		NAME	DATE	TITLE: <b>FB</b>
DIMENSIONS ARE IN INCHES		DRAWN	P.J.G.	
TOLERANCES:		COMMENTS:		
FRACTIONAL: ±				
ANGULAR: MACH ± BEND ±				
TWO PLACE DECIMAL ±				
THREE PLACE DECIMAL ±		REV <b>A</b>		
INTERPRET GEOMETRIC TOLERANCING PER:		SIZE DWG. NO.		
MATERIAL		<b>C</b> 100189		
FINISH		WEIGHT: SHEET 1 OF 7		
DO NOT SCALE DRAWING				