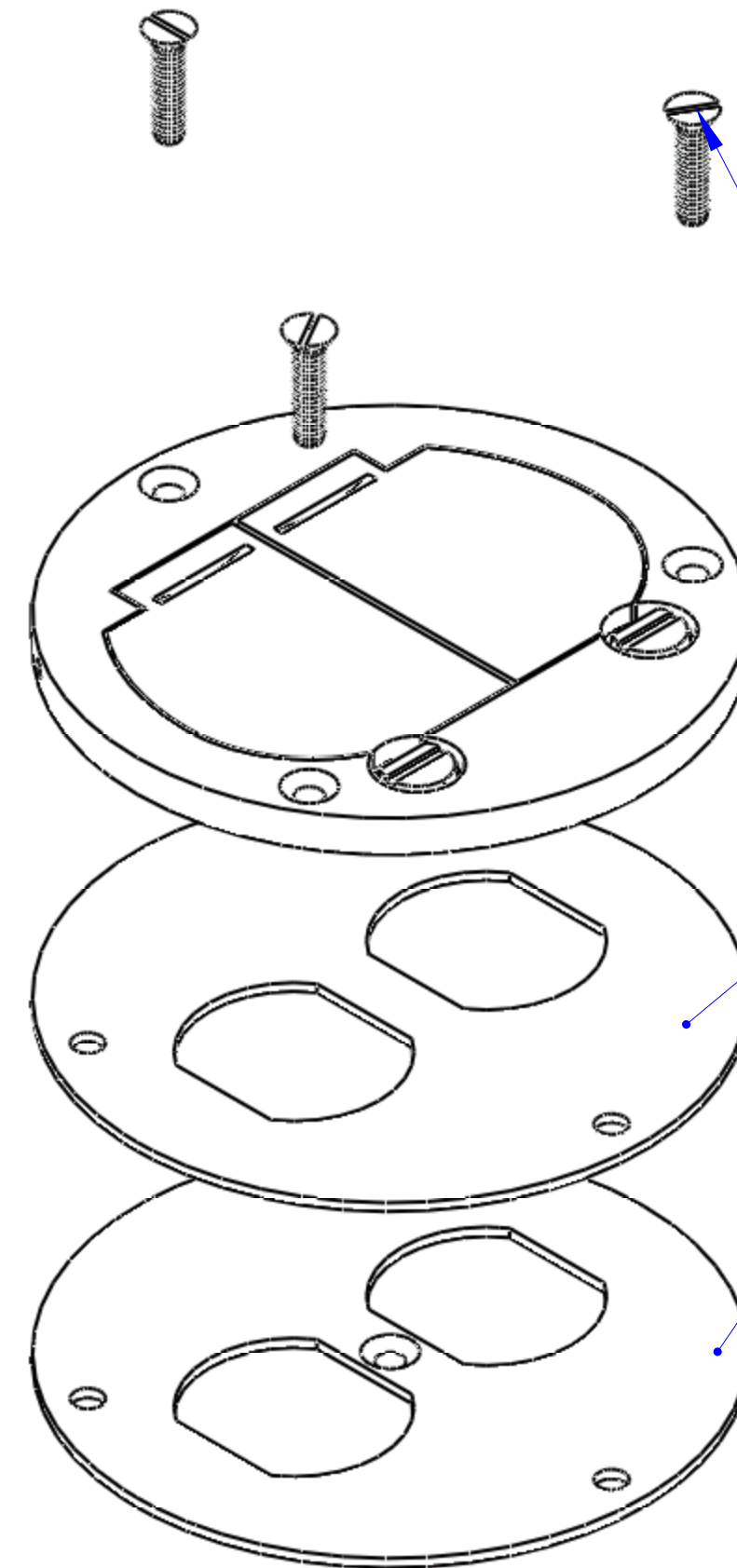
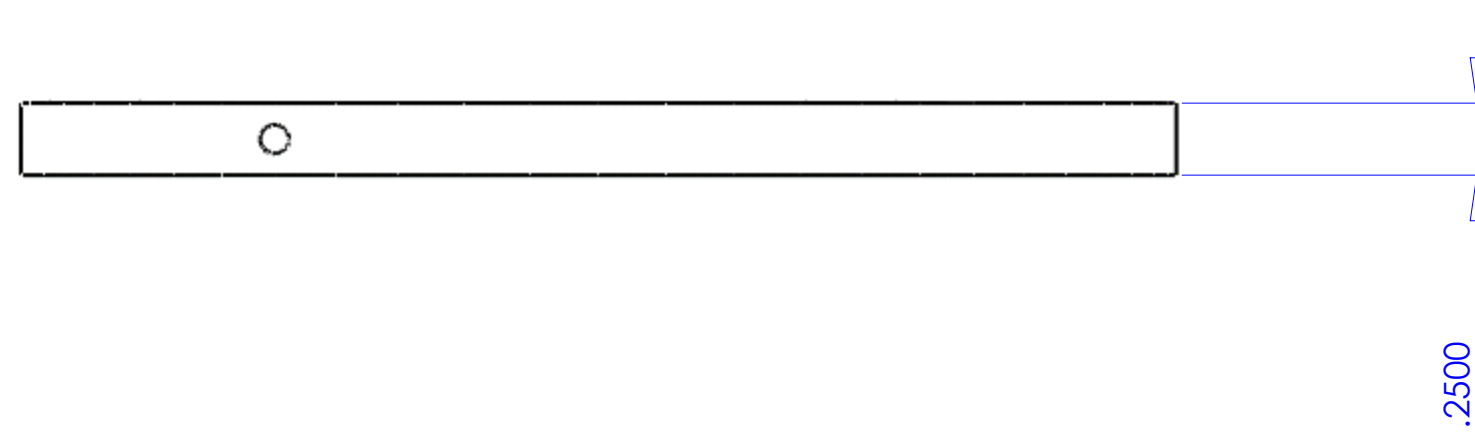
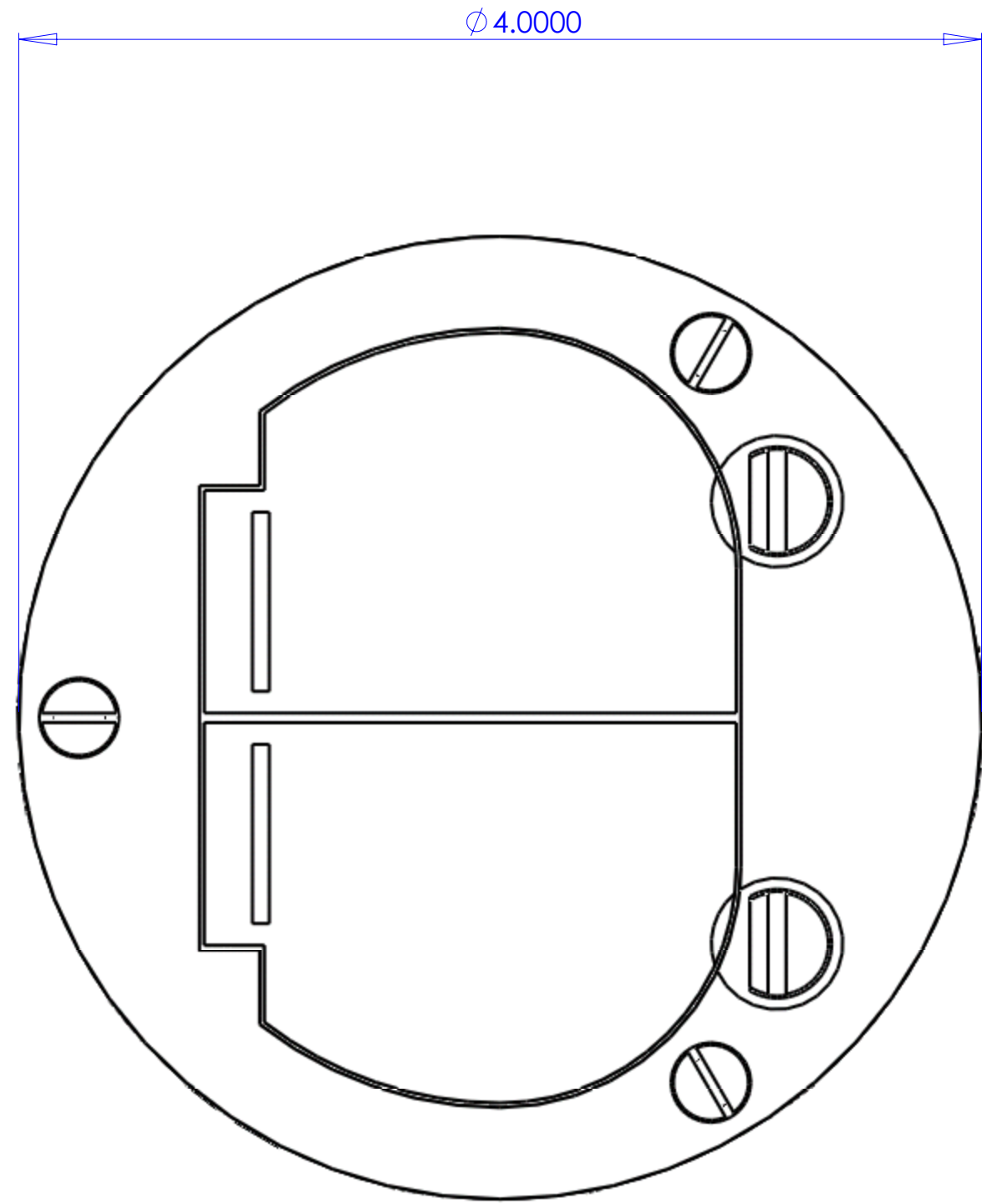


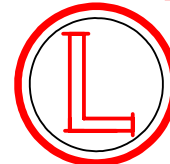
DESCRIPTION:  
BRASS, DUAL HINGED 4" COVER (1/4" THICK) FOR DUPLEX



BRASS, [3] 8-32 X .75 FLAT HEAD SCREW [PROVIDED]

DFB-2 NEOPRENE GASKET

DFB-3 SHEET METAL MOUNTING PLATE FOR DUPLEX



**LEW ELECTRIC**  
**FITTINGS COMPANY**  
SERVING THE ELECTRICAL INDUSTRY SINCE 1901  
1801 W. St. Charles Rd. Maywood, IL 60153  
PHONE: 708-345-2075

UNLESS OTHERWISE SPECIFIED:	NAME	DATE	
DIMENSIONS ARE IN INCHES	DRAWN	P.J.G.	9/25/2007
TOLERANCES:			
FRACTIONAL ±			
ANGULAR: MACH ± BEND ±			
TWO PLACE DECIMAL ±			
THREE PLACE DECIMAL ±			
INTERPRET GEOMETRIC TOLERANCING PER:	COMMENTS:		
MATERIAL			
FINISH			
DO NOT SCALE DRAWING			

**TITLE:**  
**DFB-LR**

SIZE	DWG. NO.	REV
<b>C</b>	100115	<b>A</b>
WEIGHT:	SHEET 7 OF 13	