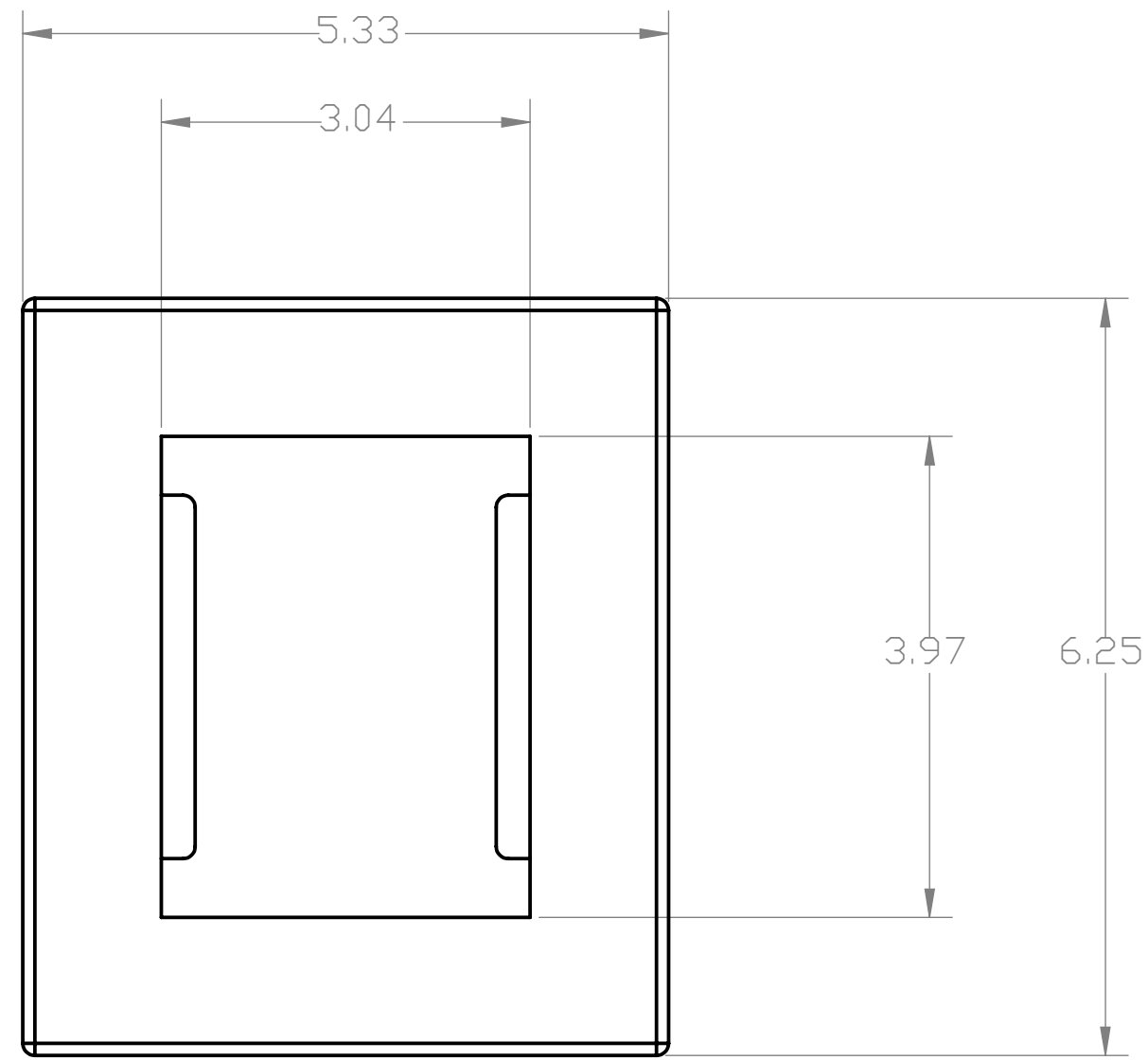
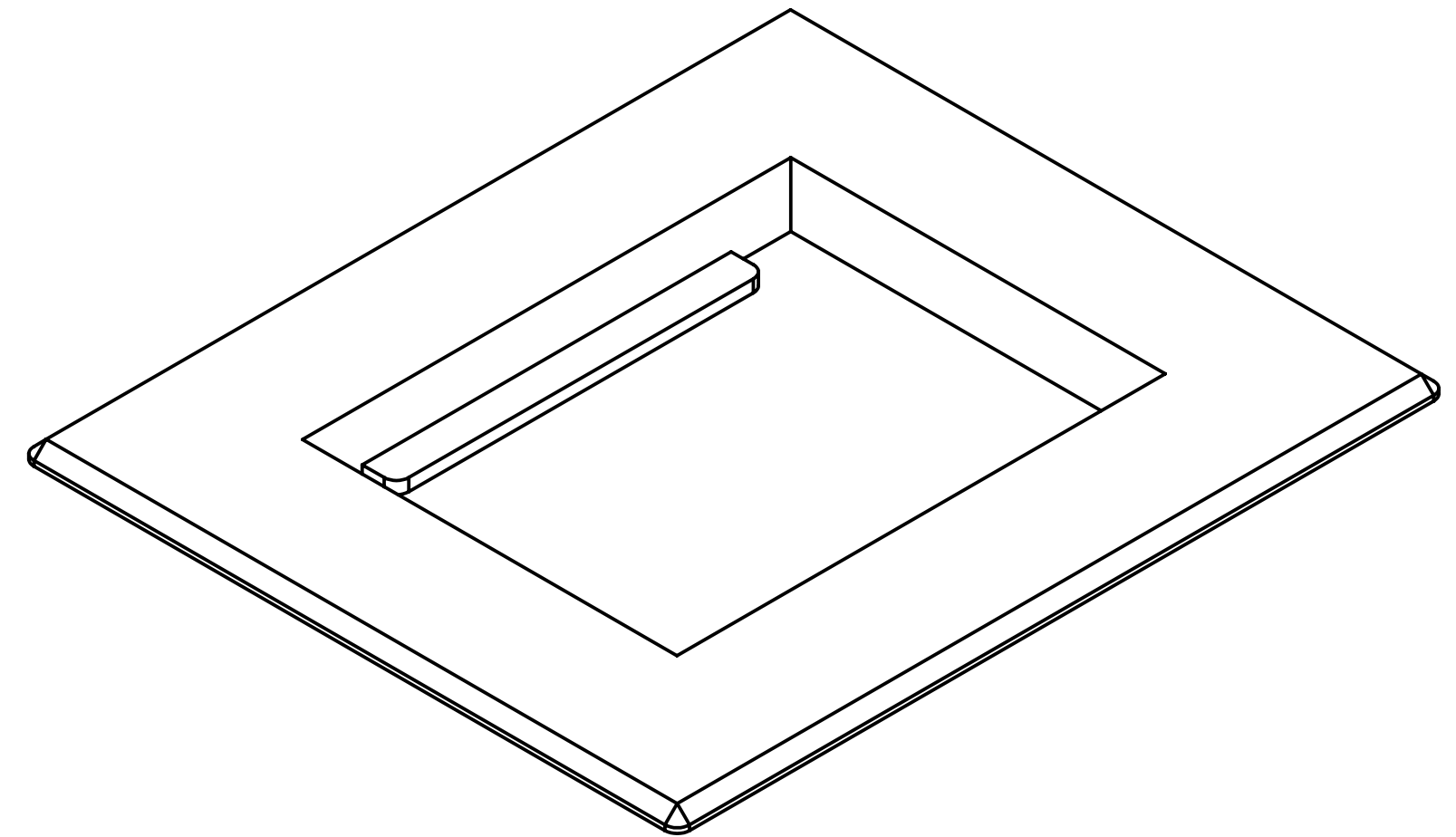


DESCRIPTION:  
 ONE GANG BRASS CARPET FLANGE, 6 1/4" X 5 1/2"

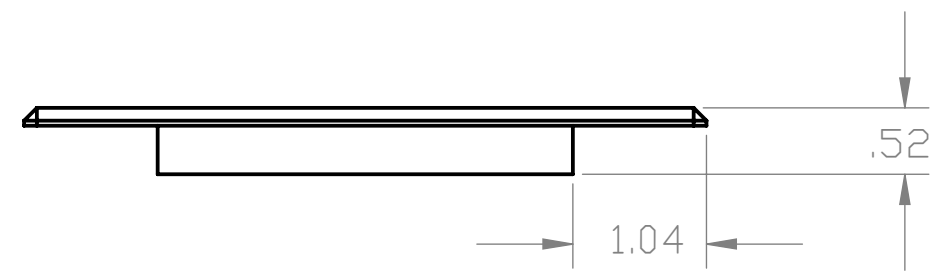
BRASS[4] 8/32 X 1.23 MOUNTING SCREWS INCLUDED



TOP VIEW



ISOMETRIC VIEW



FRONT VIEW

**LEW ELECTRIC**  
**FITTINGS COMPANY**  
 SERVING THE ELCTRICAL INDUSTRY SINCE 1901  
 1801 W. St. Charles Rd. Maywood, IL 60153  
 PHONE: 708-345-2075

UNLESS OTHERWISE SPECIFIED:	NAME	DATE	TITLE: <b>CF-1101-DFB</b>
DIMENSIONS ARE IN INCHES	DRAWN	P.J.G.	
TOLERANCES:			SIZE DWG. NO. REV <b>C</b>
FRACTIONAL ±			
ANGULAR: MACH ± BEND ±			
TWO PLACE DECIMAL ±			
THREE PLACE DECIMAL ±			WEIGHT: SHEET 6 OF 8
INTERPRET GEOMETRIC TOLERANCING PER:	COMMENTS:		
MATERIAL:			
FINISH:			
DO NOT SCALE DRAWING			