

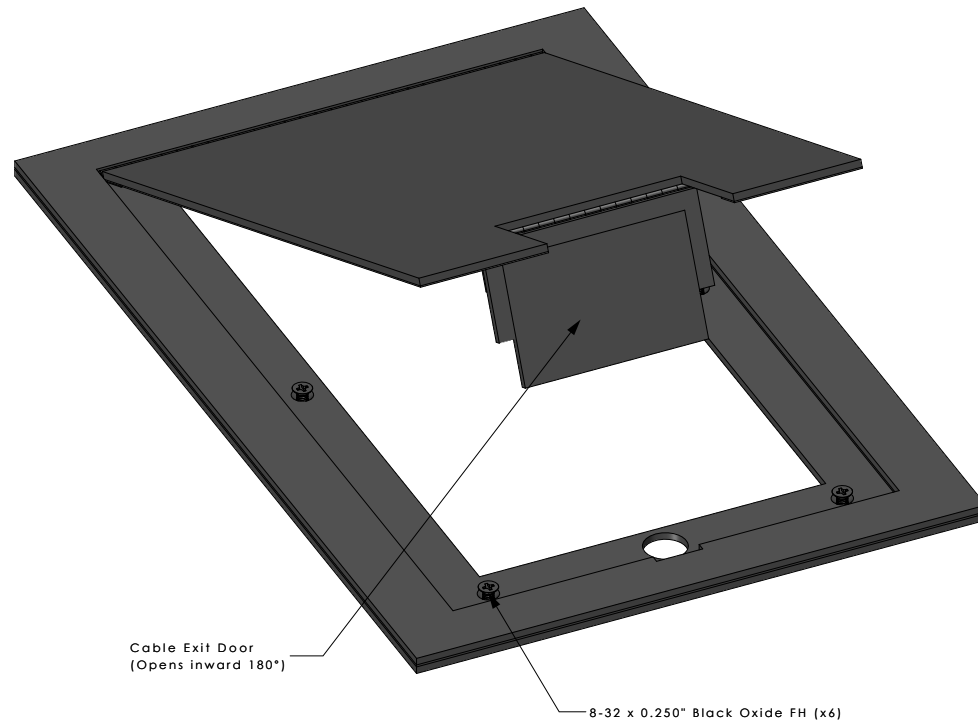




Box Dimensions
10.750"L x 8.500"W x 4.500"D

Ordering Information	Description:
Slab Thickness: Single Rec: <input type="checkbox"/> 15A <input type="checkbox"/> 20A Duplex Rec: <input type="checkbox"/> 15A <input type="checkbox"/> 20A Cover Type:	 by 
Proprietary and Confidential The information contained in this drawing is the sole property of NOCOM. Any reproduction in part or as a whole without the written permission of NOCOM is prohibited.	
	DWG. No. 8200 Series



Cover Dimensions
 14.000"L x 9.250"W x 0.272"T
 Black Santex Powder Coat (Standard)
 available in Brushed Stainless Steel

Ordering Information	Description:
Slab Thickness: Single Rec: <input type="checkbox"/> 15A <input type="checkbox"/> 20A Duplex Rec: <input type="checkbox"/> 15A <input type="checkbox"/> 20A Cover Type:	 by 
Proprietary and Confidential The information contained in this drawing is the sole property of NOCOM. Any reproduction in part or as a whole without the written permission of NOCOM is prohibited.	
	DWG. No. 8200 Series Black Cover