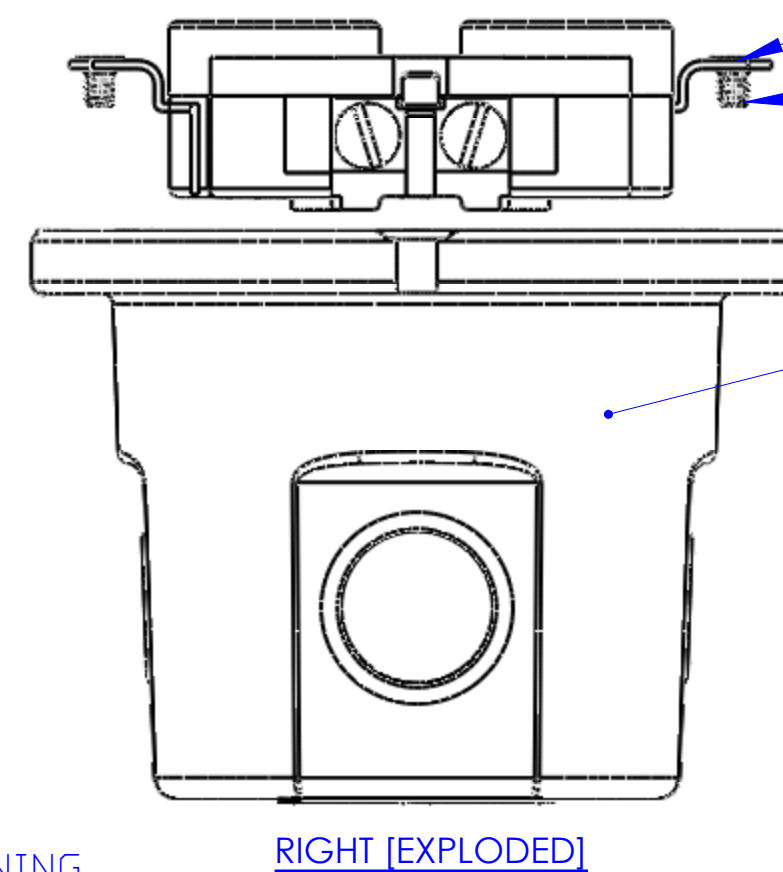
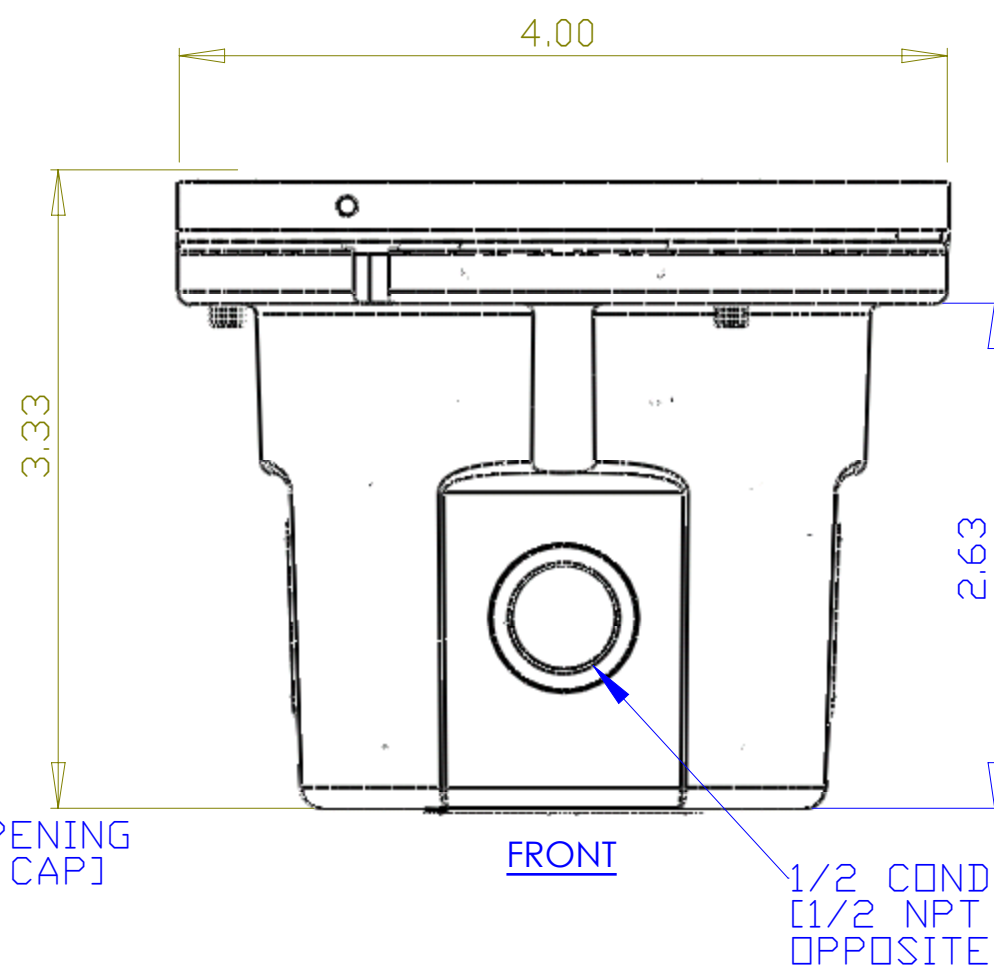
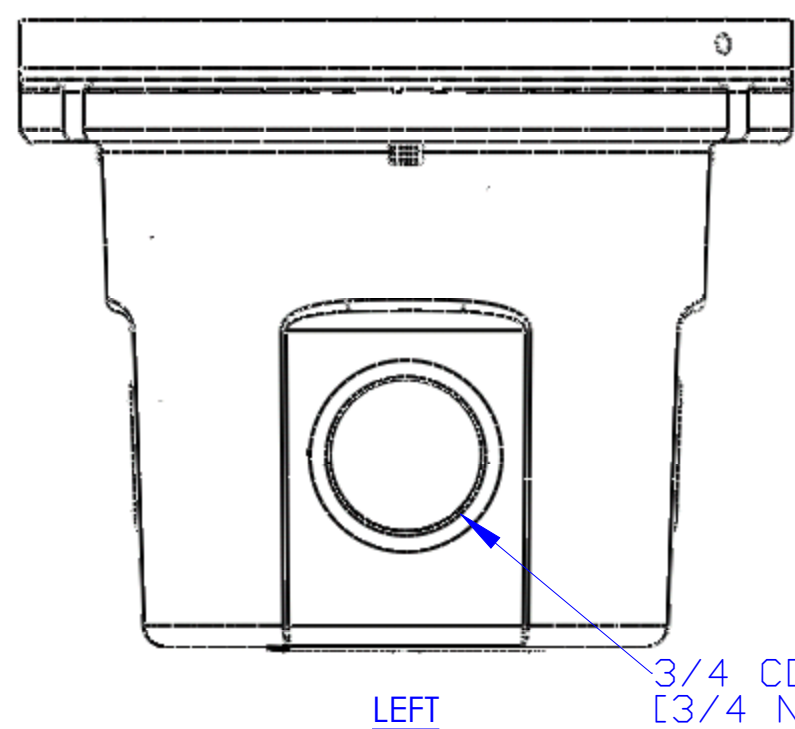
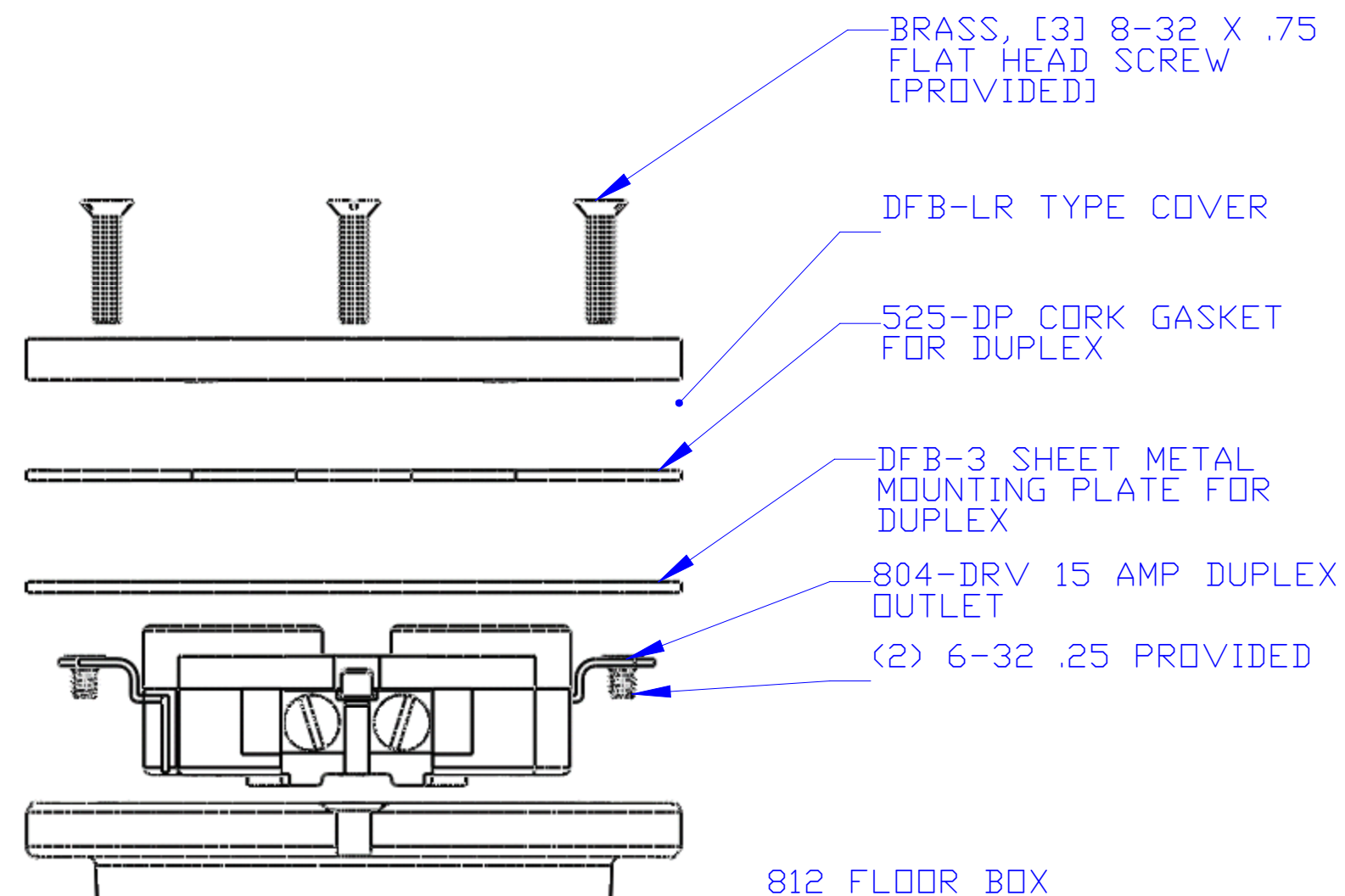
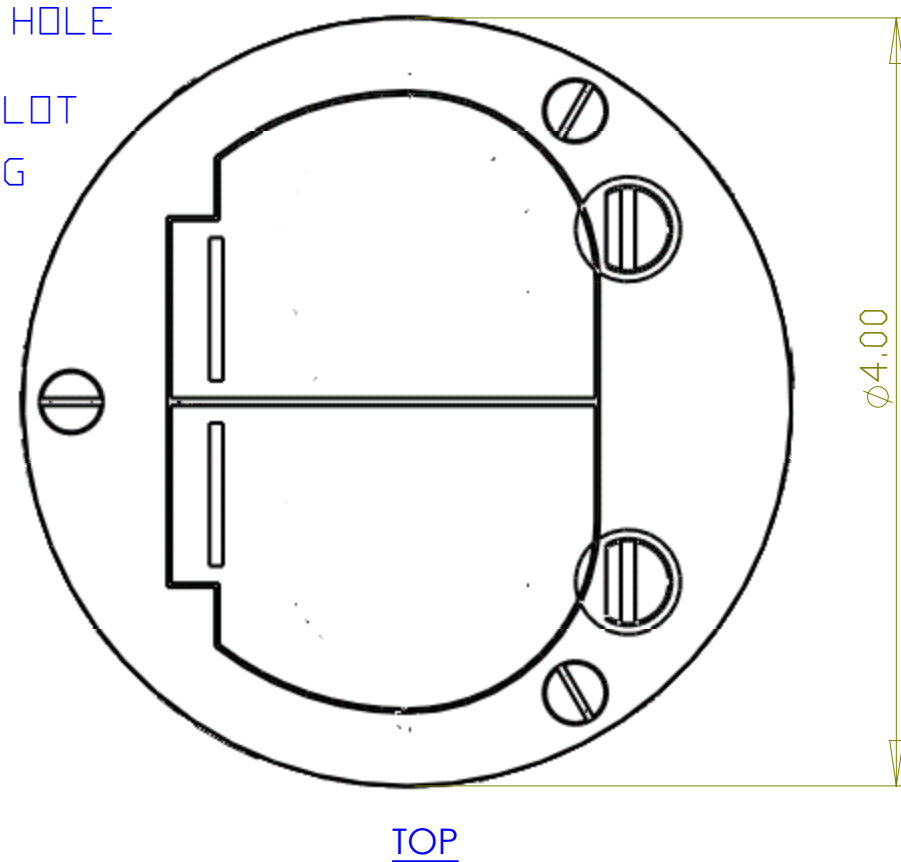
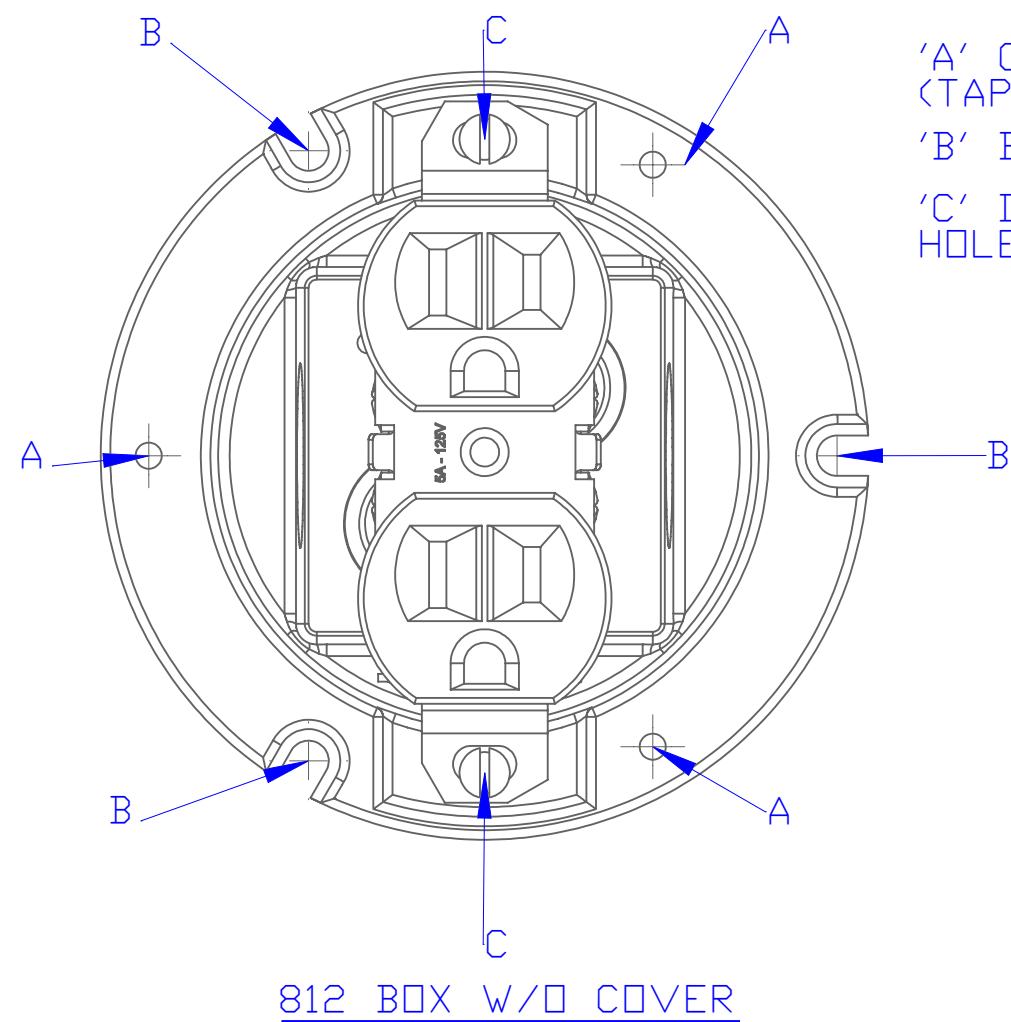


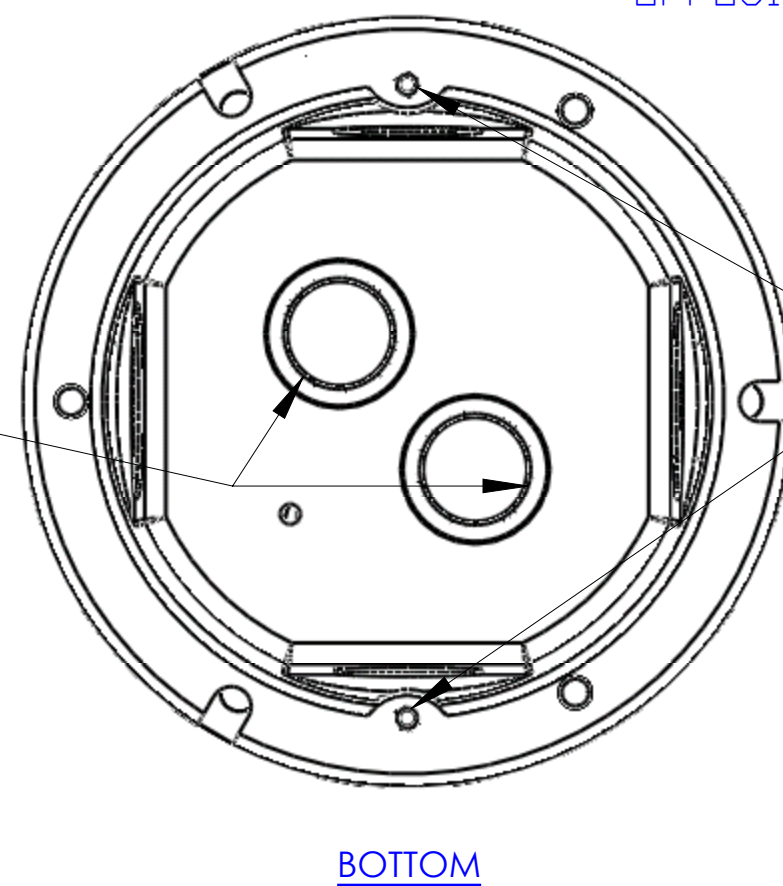
'A' COVERMOUNTING HOLE
(TAPED 8/32)
'B' BOX MOUNTING SLOT
'C' DUPLEX MOUNTING HOLE (TAPED 6/32)

DESCRIPTION:
CAST IRON FLOOR BOX FURNISHED WITH DFB-
LR BRASS COVER & 15 AMP RECEPTACLE



1/2 CONDUIT OPENING
[1/2 NPT WITH CAP]

RECEPTACLE MOUNTING HOLES



LEW ELECTRIC
FITTINGS COMPANY
SERVING THE ELECTRICAL INDUSTRY SINCE 1901
1801 W. St. Charles Rd. Maywood, IL 60153
PHONE: 708-345-2075

UNLESS OTHERWISE SPECIFIED:	NAME	DATE	TITLE: 812-DFB-LR
DIMENSIONS ARE IN INCHES	DRAWN	9/10/2007	
TOLERANCES:			SIZE DWG. NO. REV C 1001050 A
FRACTIONAL: ±			
ANGULAR: MACH ± BEND ± TWO PLACE DECIMAL ± THREE PLACE DECIMAL ±			
INTERPRET GEOMETRIC TOLERANCING PER:	COMMENTS:		WEIGHT: SHEET 9 OF 10
MATERIAL:			
FINISH:			
DO NOT SCALE DRAWING			