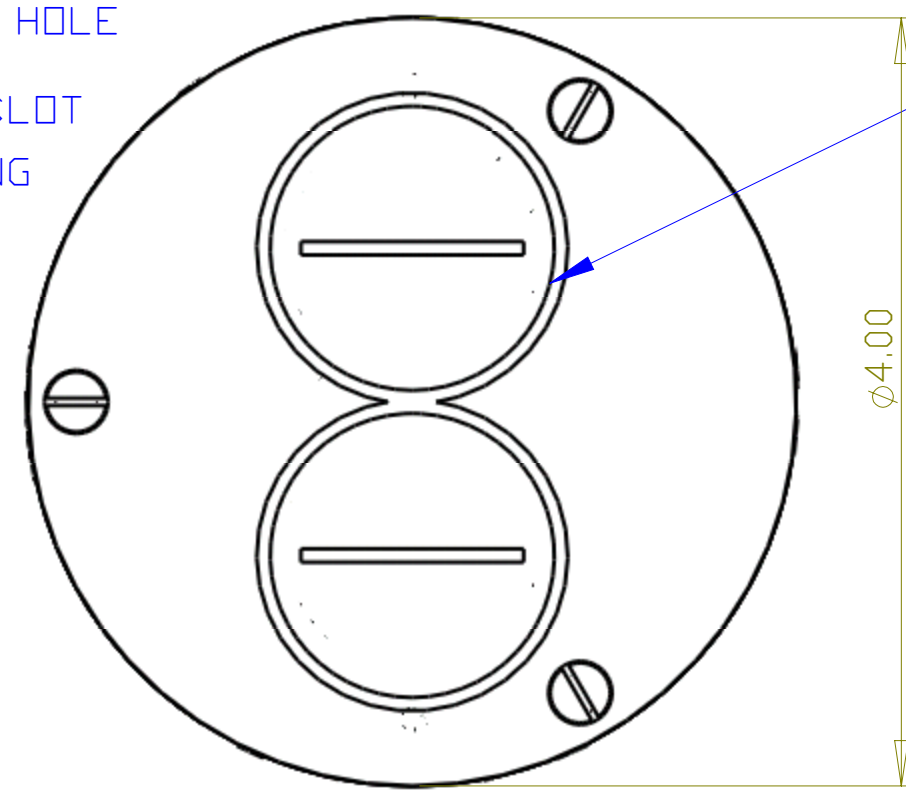


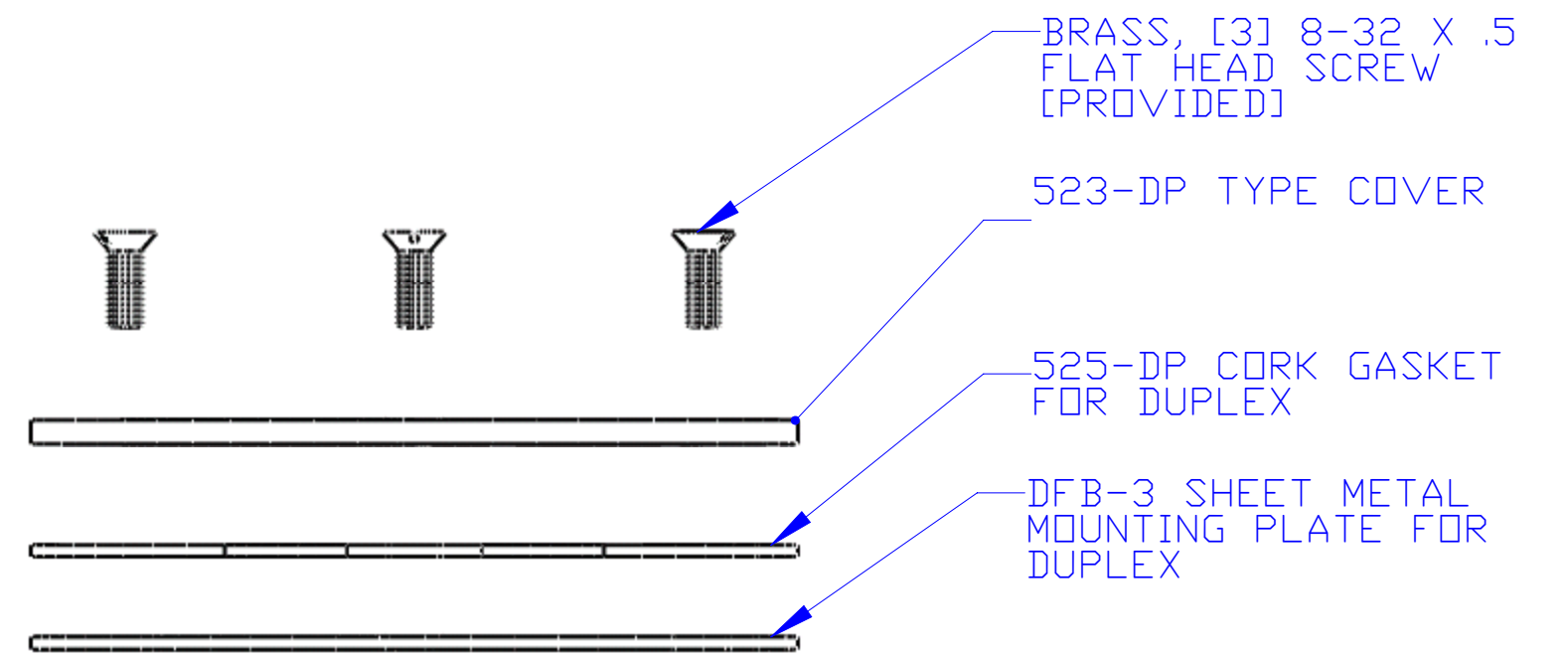
DESCRIPTION:  
 CAST IRON FLOOR BOX FURNISHED WITH 523-  
 DP BRASS COVER & 15 AMP RECEPTACLE

'A' COVERMOUNTING HOLE  
 (TAPED 8/32)  
 'B' BOX MOUNTING SLOT  
 'C' DUPLEX MOUNTING  
 HOLE (TAPED 6/32)



1 1/2" SCREW PLUG

TOP

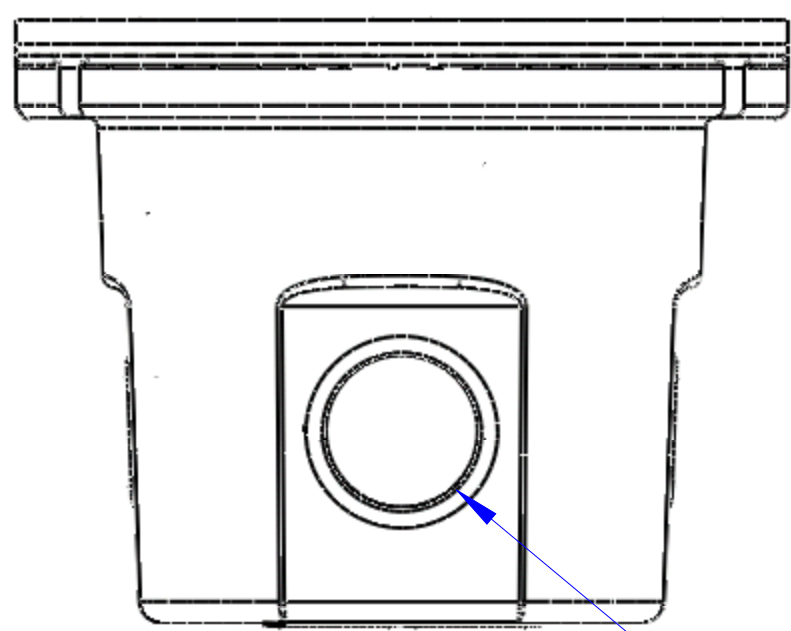


BRASS, [3] 8-32 X .5  
 FLAT HEAD SCREW  
 [PROVIDED]

523-DP TYPE COVER

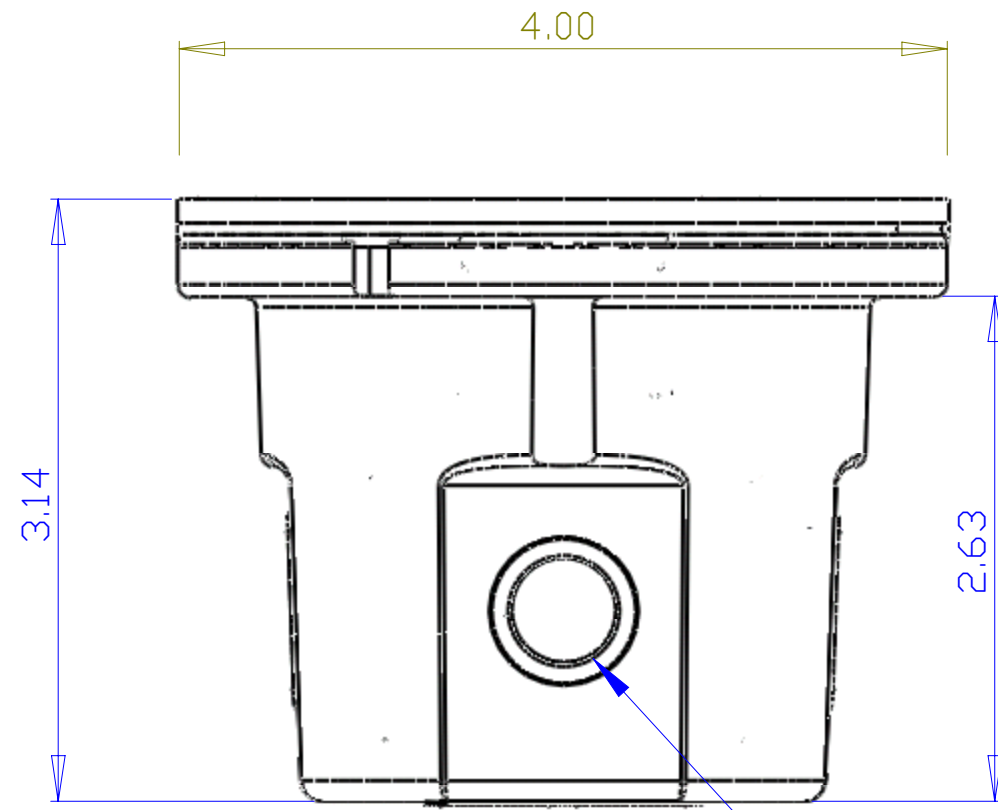
525-DP CORK GASKET  
 FOR DUPLEX

DFB-3 SHEET METAL  
 MOUNTING PLATE FOR  
 DUPLEX



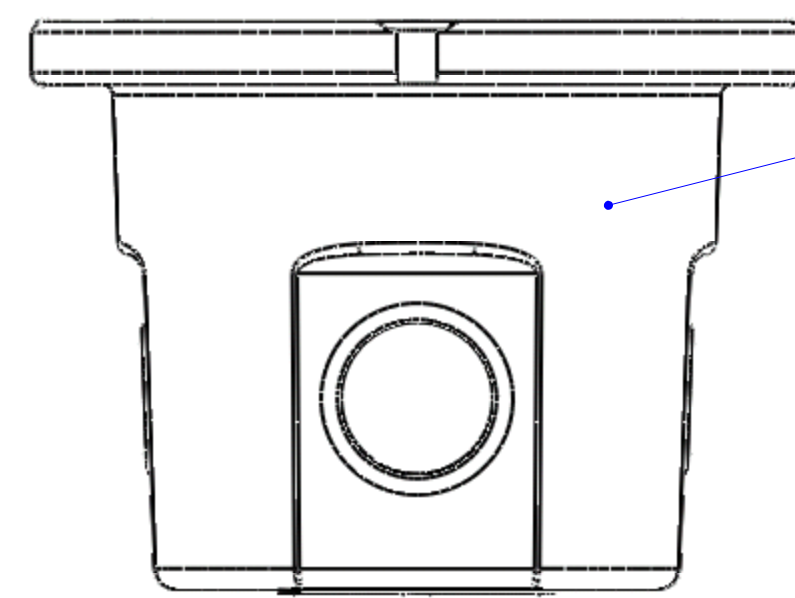
LEFT

3/4 CONDUIT OPENING  
 [3/4 NPT WITH CAP]



FRONT

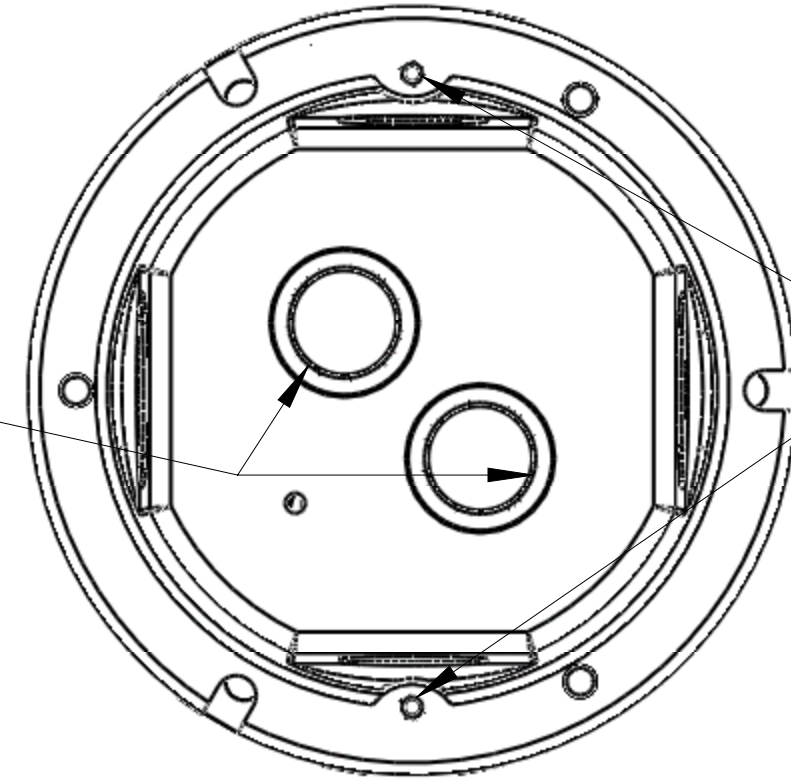
1/2 CONDUIT OPENING  
 [1/2 NPT WITH CAP]  
 OPPOSITE SIDE SAME



RIGHT [EXPLODED]

812 FLOOR BOX

1/2 CONDUIT OPENING  
 [1/2 NPT WITH CAP]



BOTTOM

RECEPTACLE MOUNTING HOLES

**LEW ELECTRIC**  
**FITTINGS COMPANY**  
 SERVING THE ELECTRICAL INDUSTRY SINCE 1901  
 1801 W. St. Charles Rd. Maywood, IL 60153  
 PHONE: 708-345-2075

UNLESS OTHERWISE SPECIFIED:		NAME	DATE	TITLE: <b>812-DFB</b>
DIMENSIONS ARE IN INCHES		DRAWN	P.J.G.	
TOLERANCES:		COMMENTS:		
FRACTIONAL ±				
ANGULAR: MACH ± BEND ±				
TWO PLACE DECIMAL ±				
THREE PLACE DECIMAL ±		REV <b>A</b>		
INTERPRET GEOMETRIC TOLERANCING PER:		SIZE DWG. NO.		
MATERIAL		<b>C</b> 1001080		
FINISH		WEIGHT:		
DO NOT SCALE DRAWING		SHEET 4 OF 10		