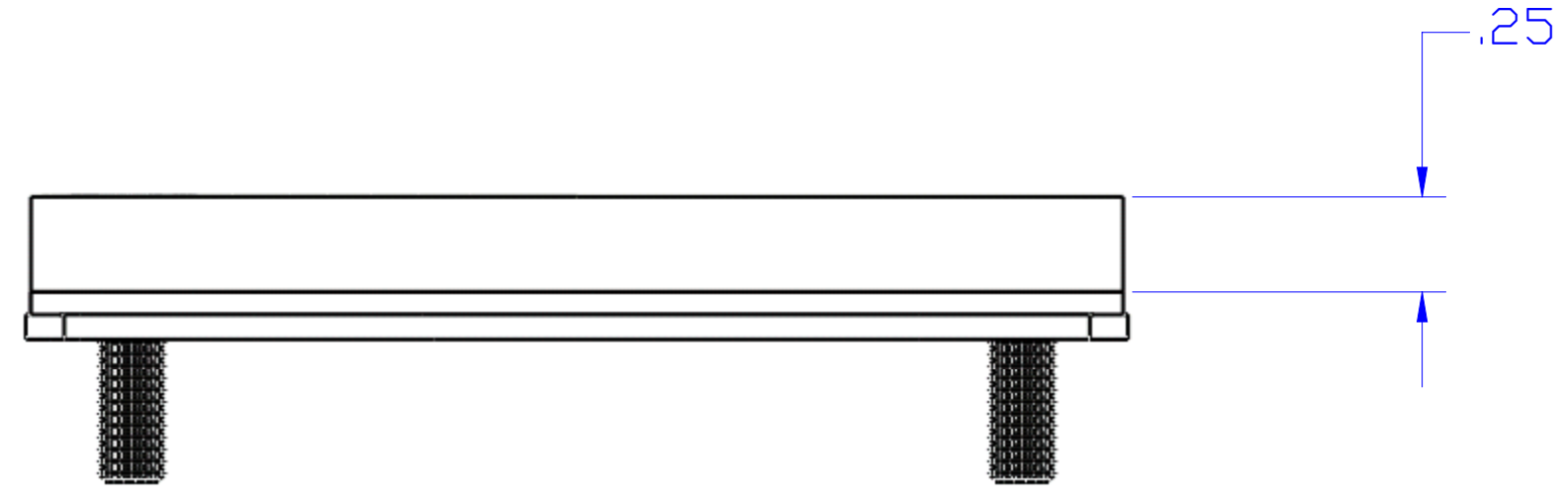
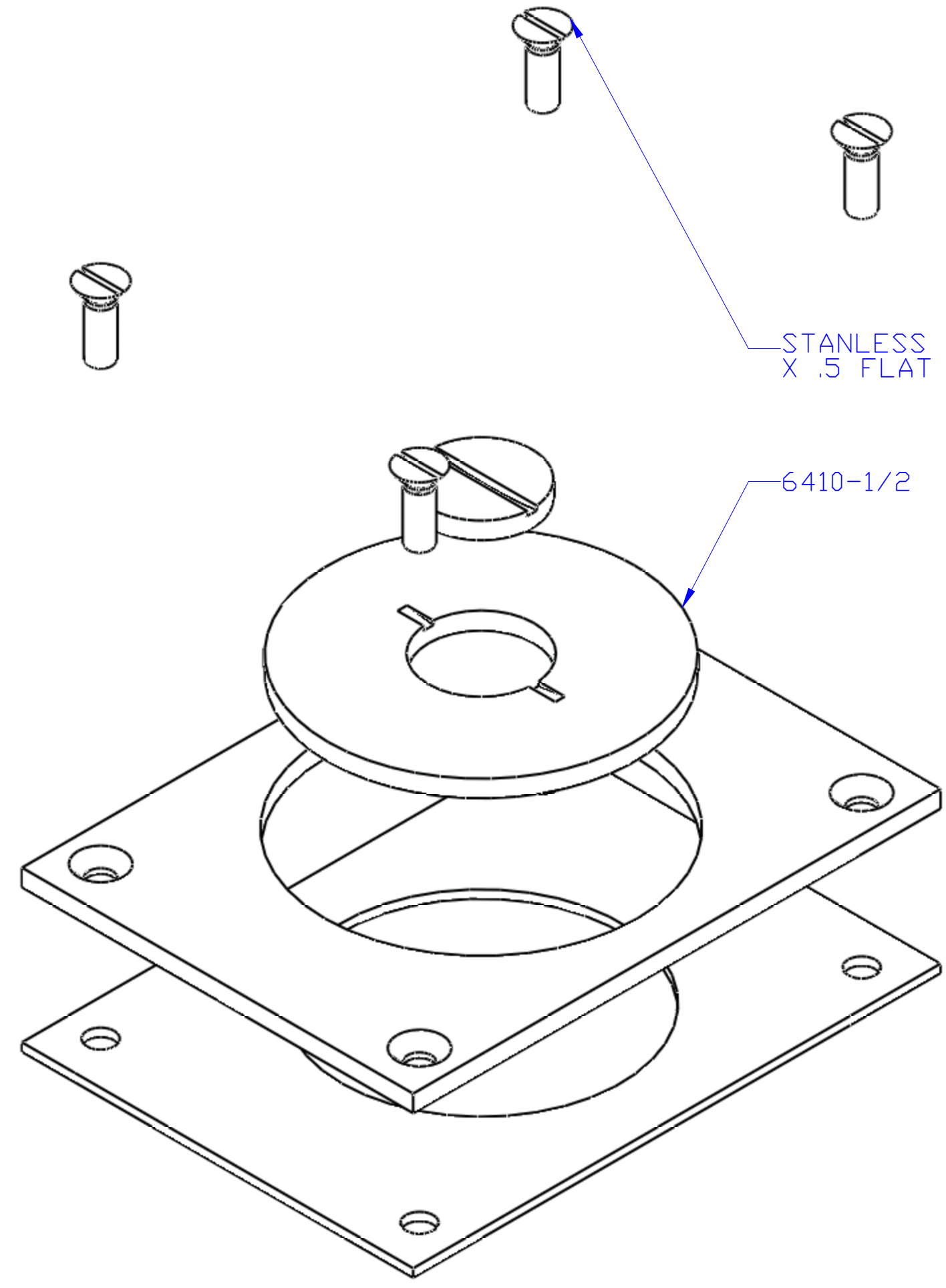


TOP VIEW



FRONT VIEW

DESCRIPTION:
 NICKEL SILVER, 2 7/8" X 3 7/8" COVER
 (1/8" THICK) WITH 2" - 1/2" COMBO PLUG
 FOR COMM./DATA



EXPLODED

LEW ELECTRIC
FITTINGS COMPANY
 SERVING THE ELECTRICAL INDUSTRY SINCE 1901
 1801 W. St. Charles Rd. Maywood, IL 60153
 PHONE: 708-345-2075

UNLESS OTHERWISE SPECIFIED:		NAME	DATE	TITLE: 6304-S-NS
DIMENSIONS ARE IN INCHES		DRAWN	PJG	
TOLERANCES:				
FRACTIONAL: ±				
ANGULAR: MACH ± BEND ±				
TWO PLACE DECIMAL ±				
THREE PLACE DECIMAL ±				
INTERPRET GEOMETRIC TOLERANCING PER:		COMMENTS:		
MATERIAL				
FINISH				
DO NOT SCALE DRAWING		SIZE	DWG. NO.	REV
		C	1001620	A
		WEIGHT:	SHEET 10 OF 10	