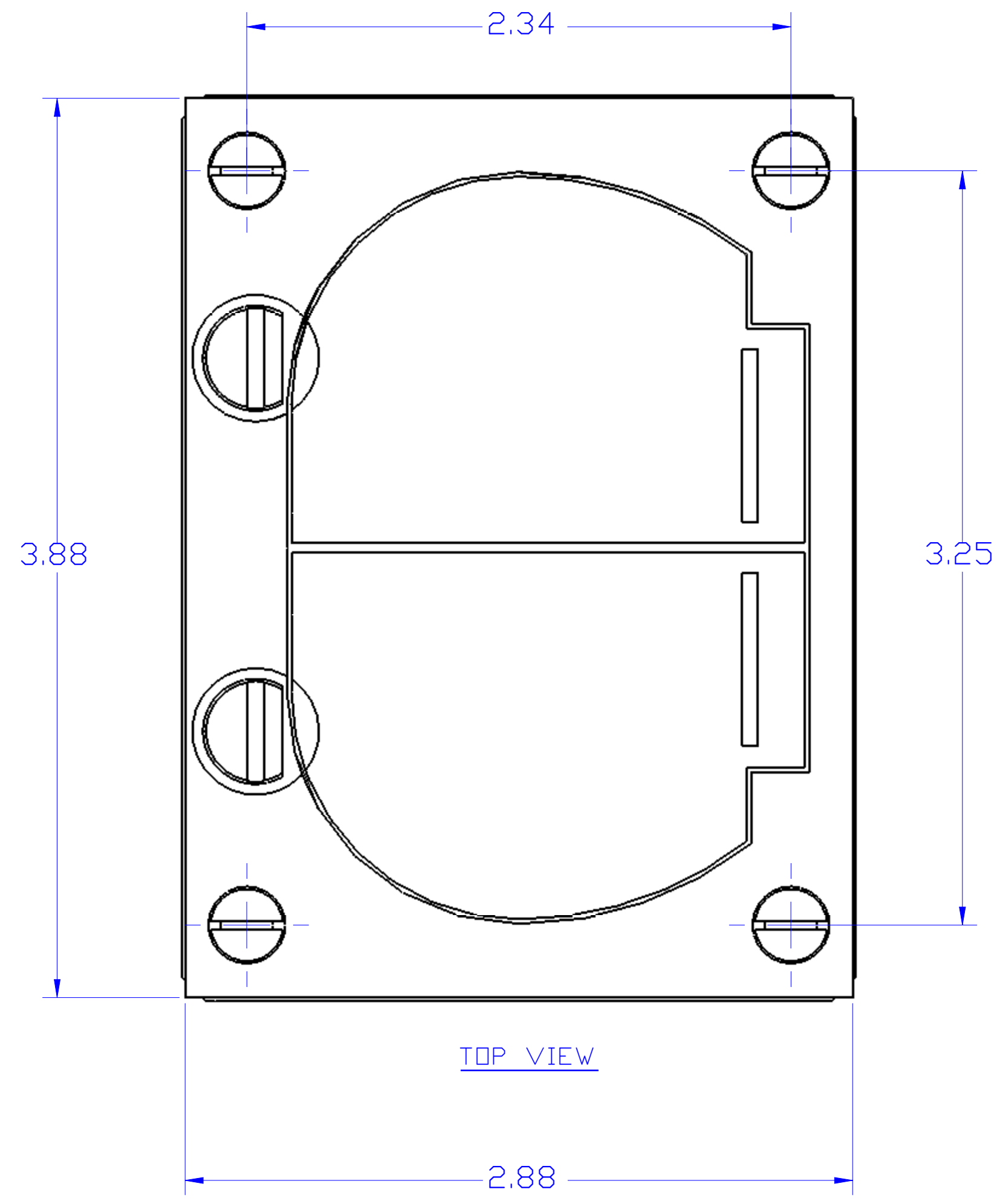
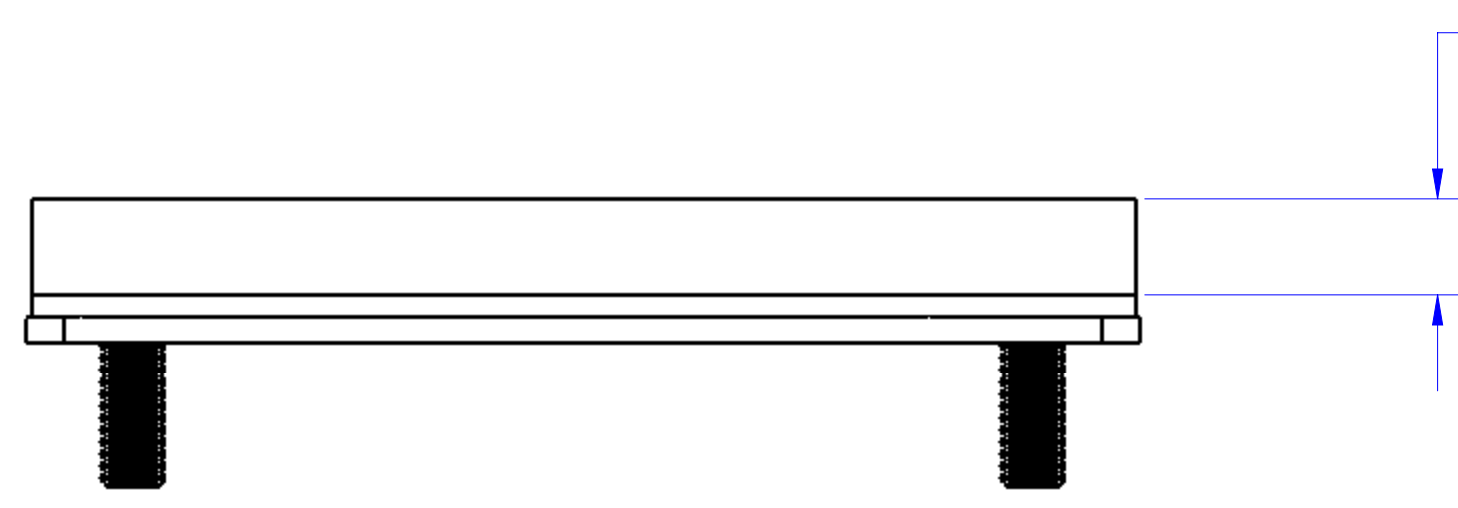


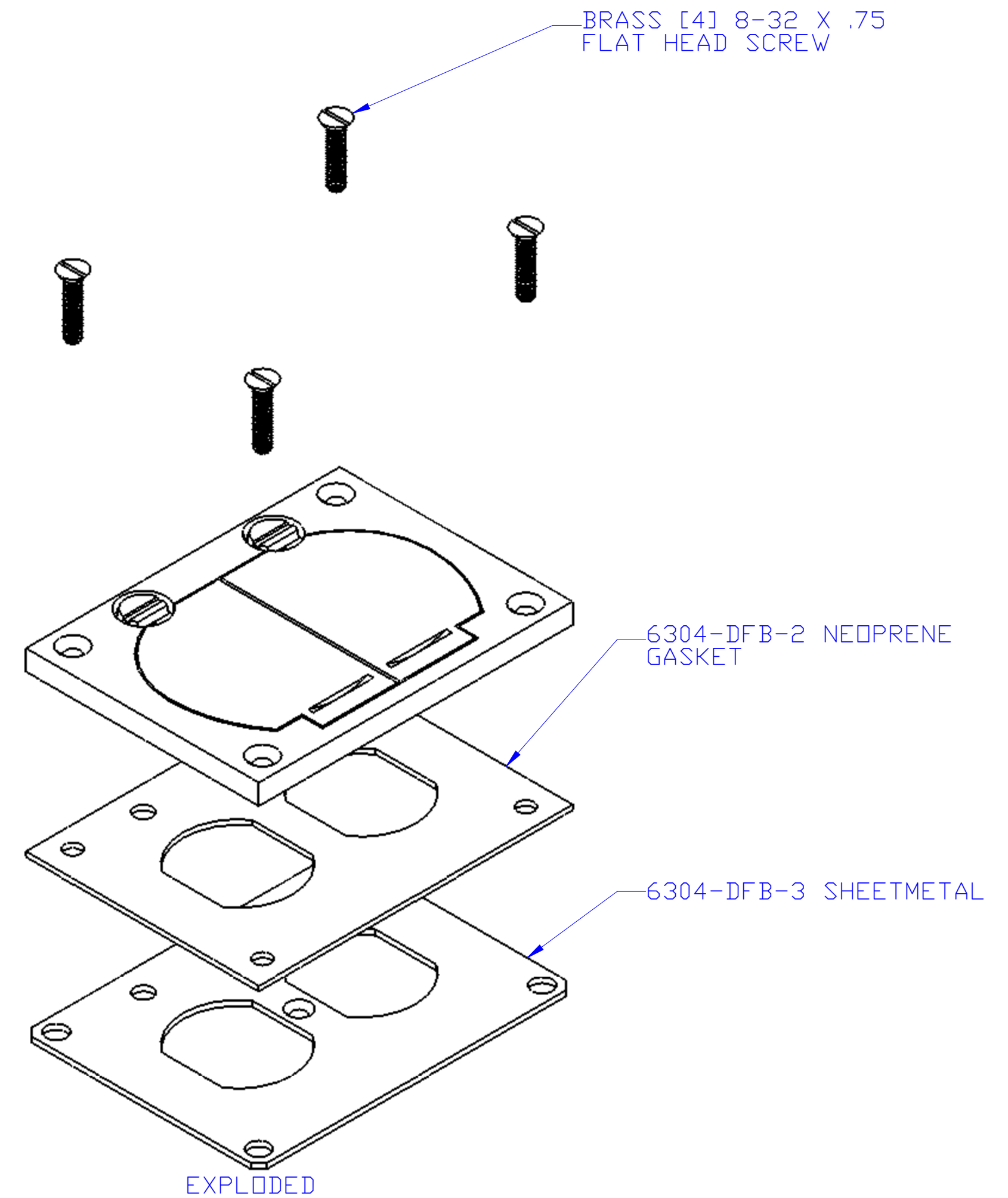
DESCRIPTION:
 BRASS, DUAL HINGED 2 7/8" X 3 7/8"
 COVER (1/4" THICK) FOR DUPLEX



TOP VIEW



FRONT VIEW



LEW ELECTRIC
FITTINGS COMPANY
 SERVING THE ELECTRICAL INDUSTRY SINCE 1901
 1801 W. St. Charles Rd. Maywood, IL 60153
 PHONE: 708-345-2075

UNLESS OTHERWISE SPECIFIED:		NAME	DATE	TITLE: 6304-DFB-LR
DIMENSIONS ARE IN INCHES		DRAWN	PJG 11/7/2007	
TOLERANCES:				SIZE DWG. NO. REV C 1001570 A
FRACTIONAL ±				
ANGULAR: MACH ± BEND ±				
TWO PLACE DECIMAL ±				
THREE PLACE DECIMAL ±				WEIGHT: SHEET 7 OF 8
INTERPRET GEOMETRIC TOLERANCING PER:		COMMENTS:		
MATERIAL				
FINISH				
DO NOT SCALE DRAWING				