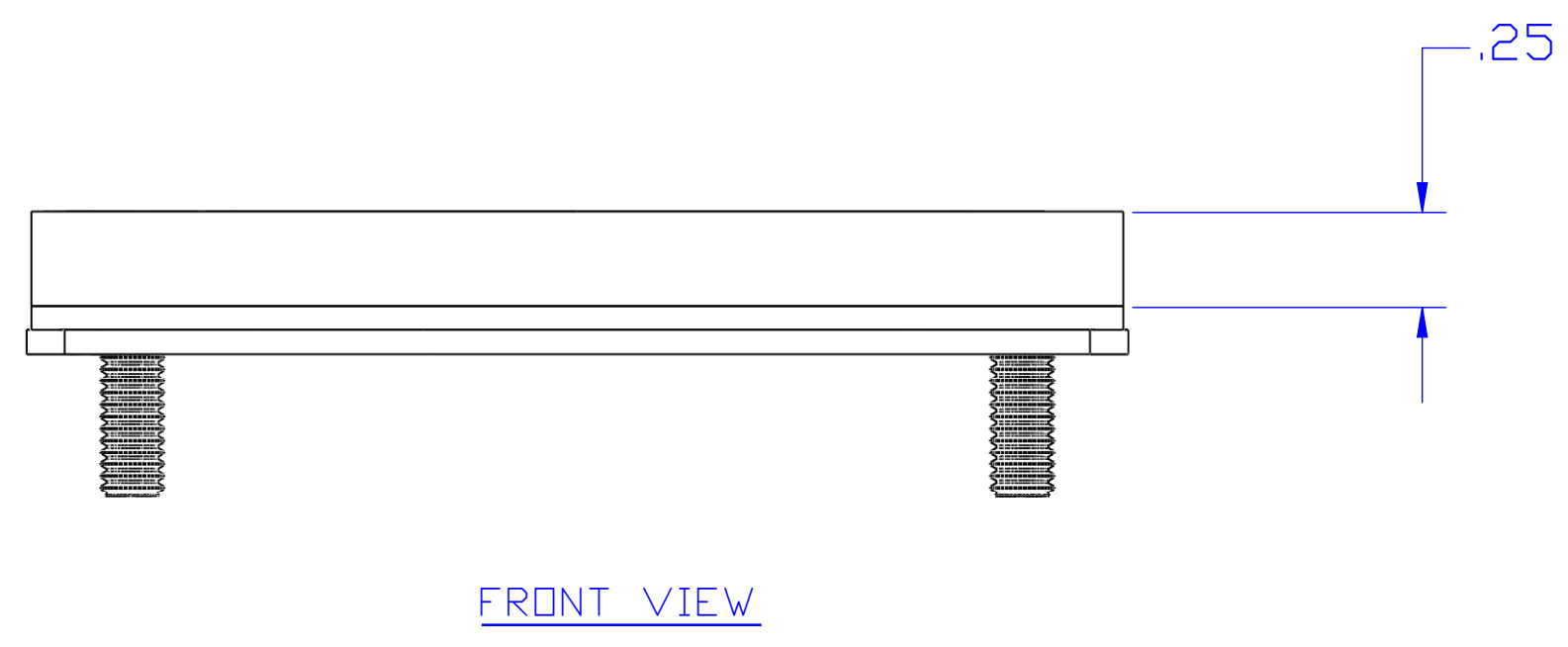
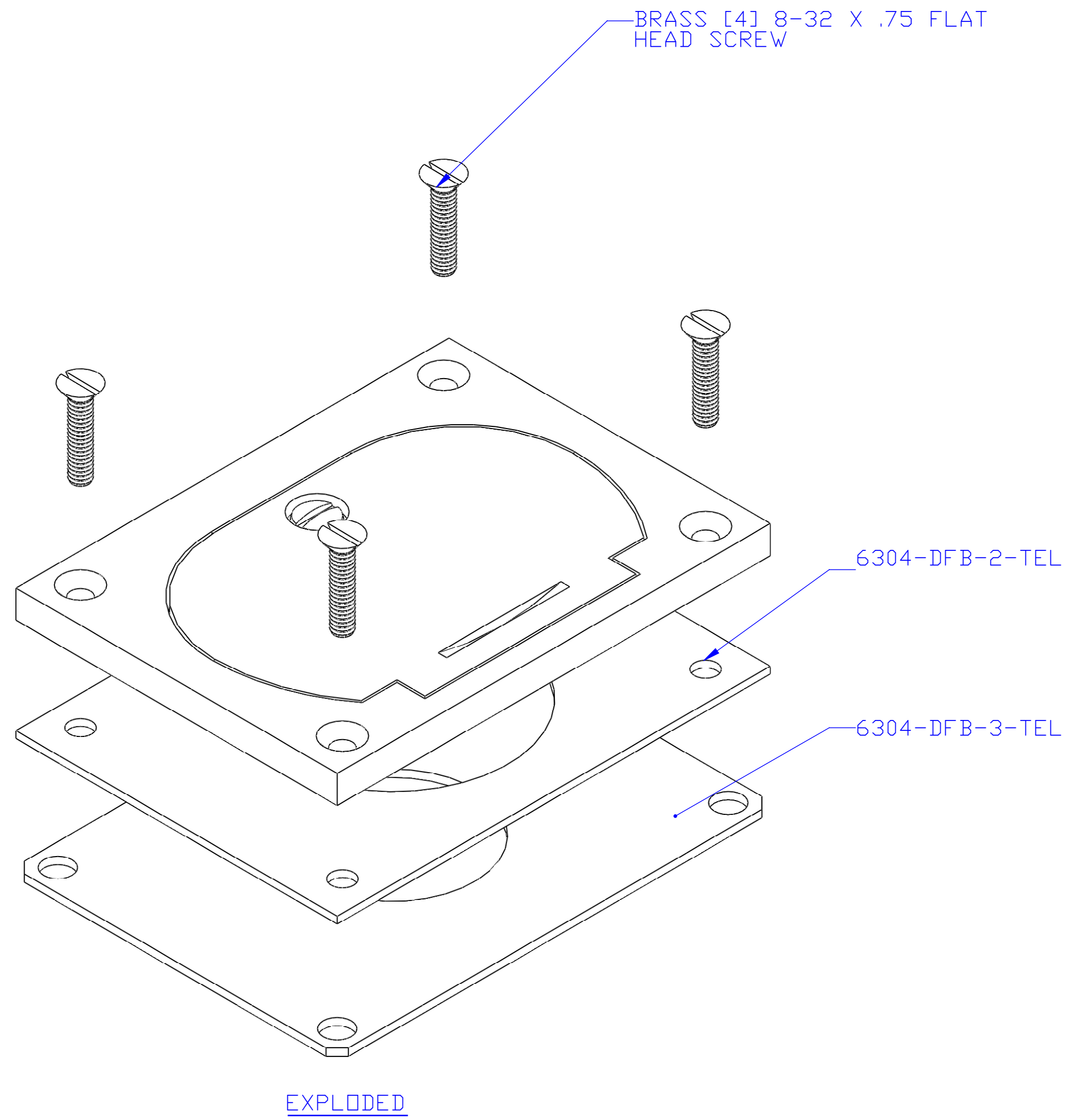
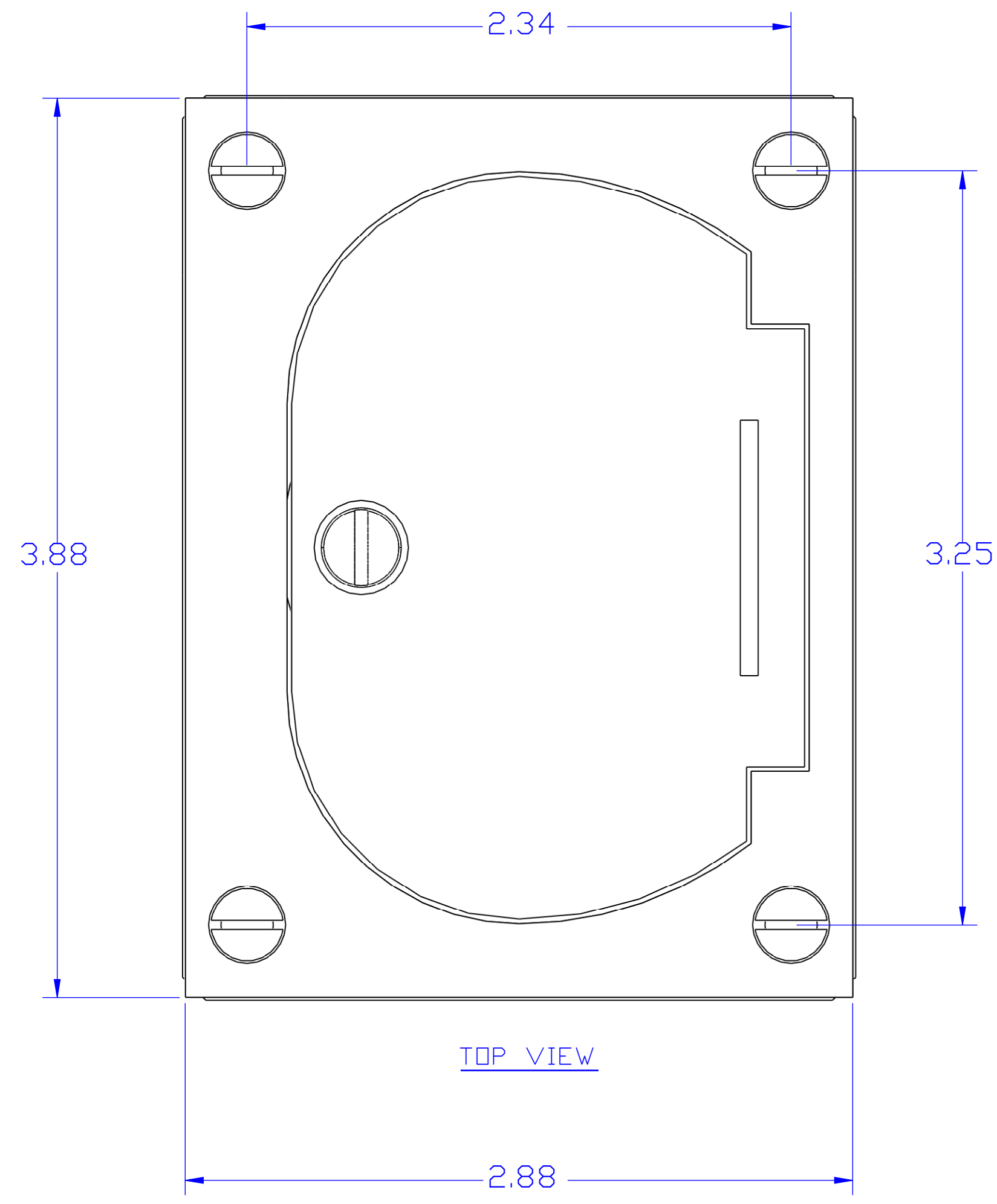
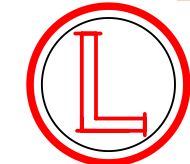


DESCRIPTION:  
 BRASS, HINGED 2 7/8" X 3 7/8" COVER  
 (1/4" THICK) FOR COMM./DATA





**LEW ELECTRIC**  
**FITTINGS COMPANY**  
 SERVING THE ELCTRICAL INDUSTRY SINCE 1901

1801 W. St. Charles Rd. Maywood, IL 60153  
 PHONE: 708-345-2075

|                                      |  |           |               |
|--------------------------------------|--|-----------|---------------|
| UNLESS OTHERWISE SPECIFIED:          |  | NAME      | DATE          |
| DIMENSIONS ARE IN INCHES             |  | DRAWN     | PJG 11/7/2007 |
| TOLERANCES:                          |  |           |               |
| FRACTIONAL ±                         |  |           |               |
| ANGULAR: MACH ± BEND ±               |  |           |               |
| TWO PLACE DECIMAL ±                  |  |           |               |
| THREE PLACE DECIMAL ±                |  |           |               |
| INTERPRET GEOMETRIC TOLERANCING PER: |  | COMMENTS: |               |
| MATERIAL                             |  |           |               |
| FINISH                               |  |           |               |
| DO NOT SCALE DRAWING                 |  |           |               |

TITLE: **6304-DFB-1-TEL**

|               |                  |              |
|---------------|------------------|--------------|
| SIZE <b>C</b> | DWG. NO. 1001530 | REV <b>A</b> |
| WEIGHT:       | SHEET 5 OF 8     |              |