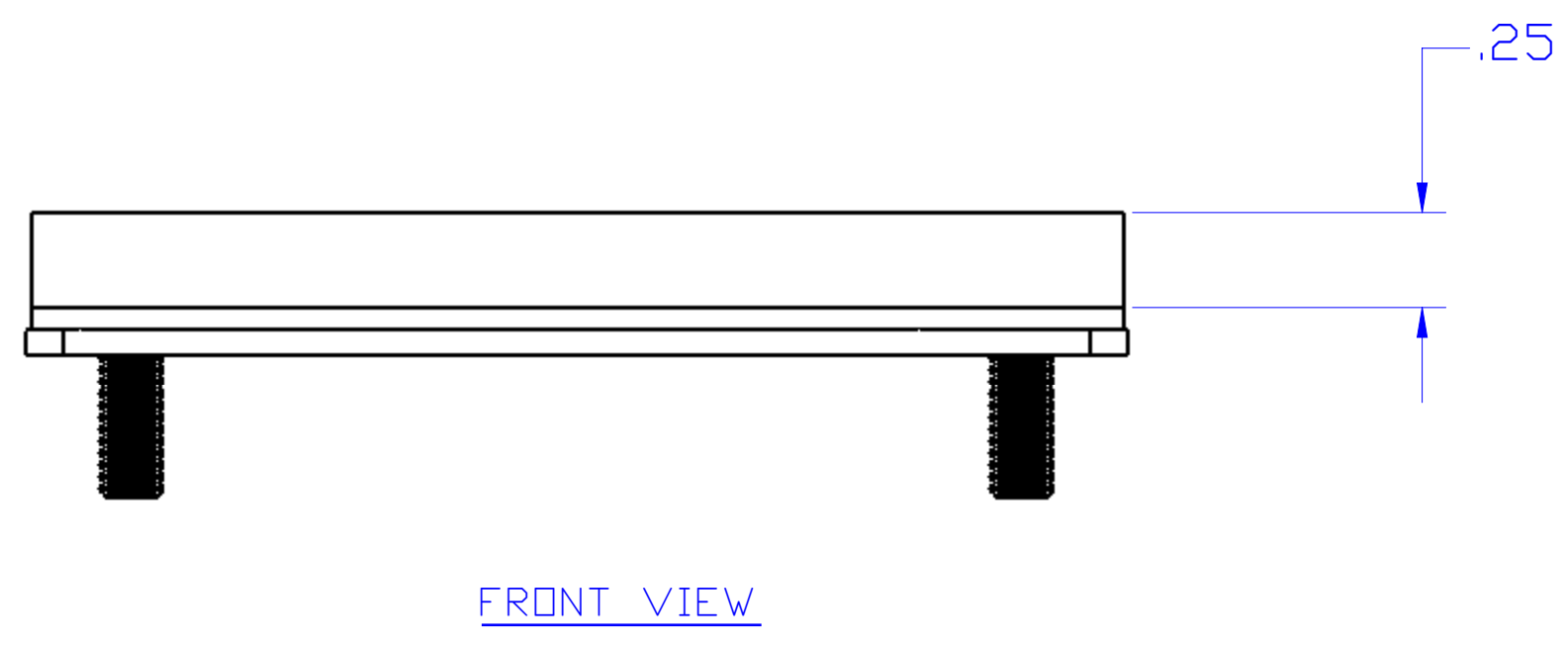
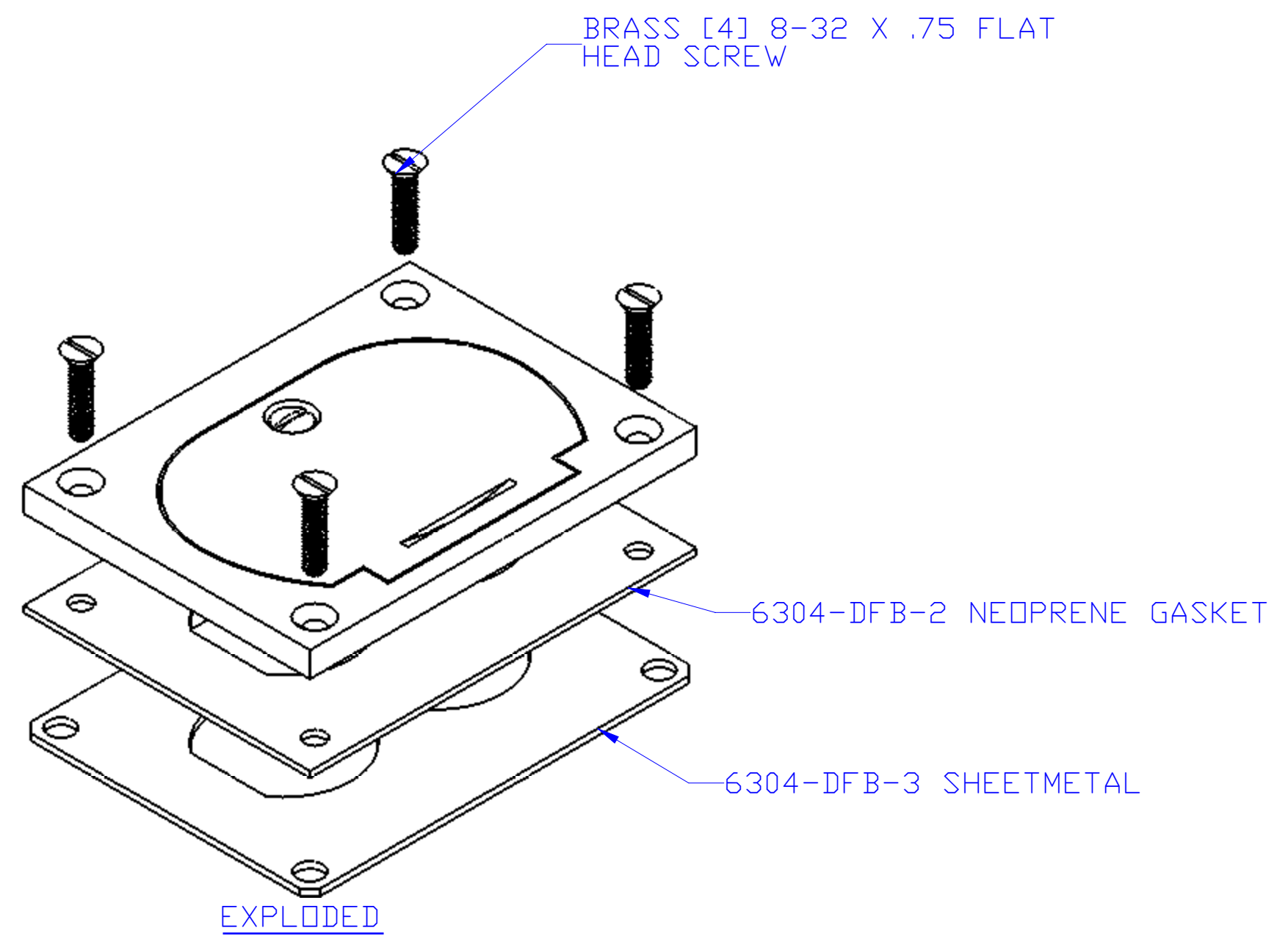
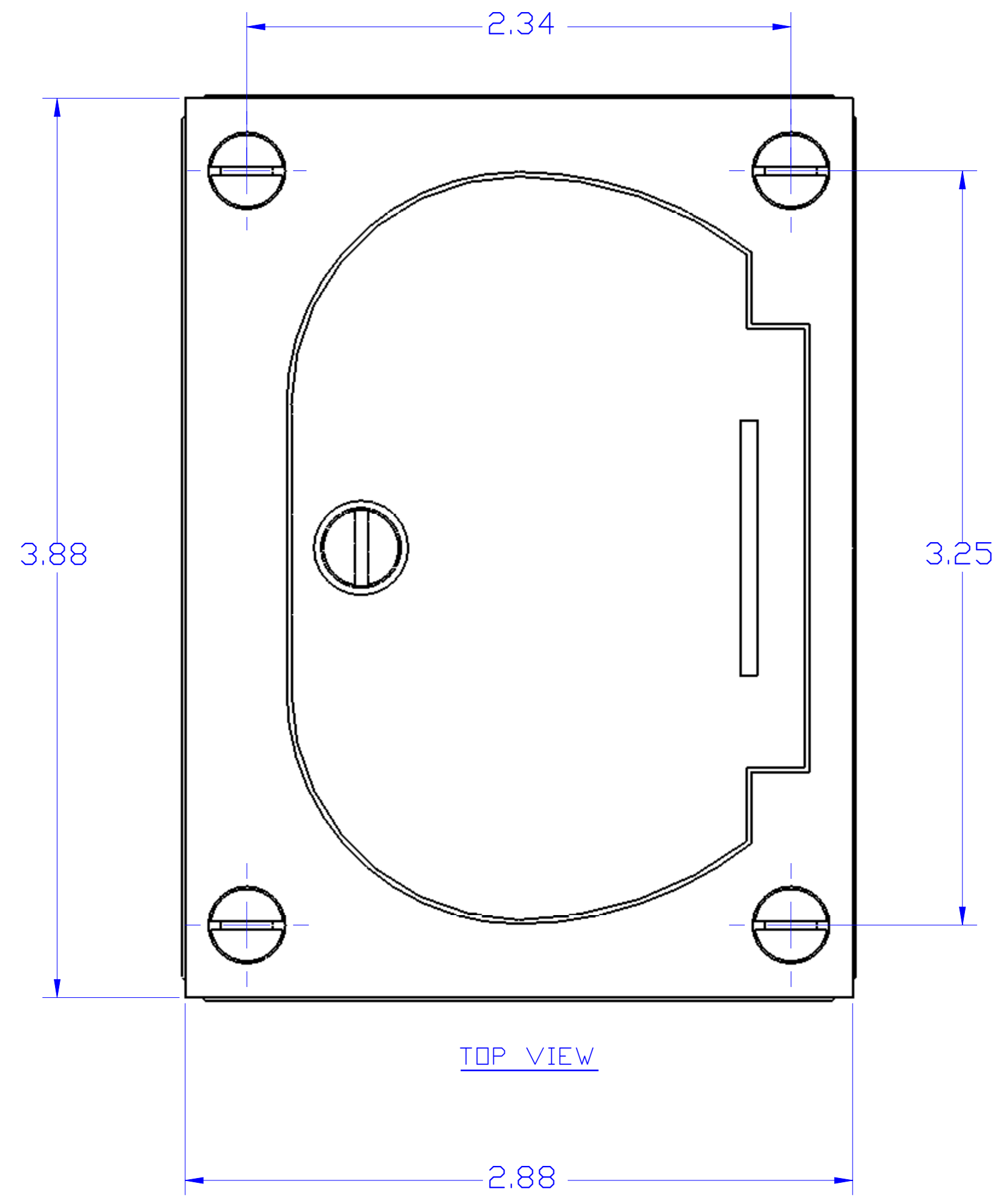
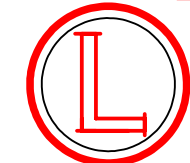


DESCRIPTION:
 BRASS, HINGED 2 7/8" X 3 7/8" COVER
 (1/4" THICK) FOR DUPLEX



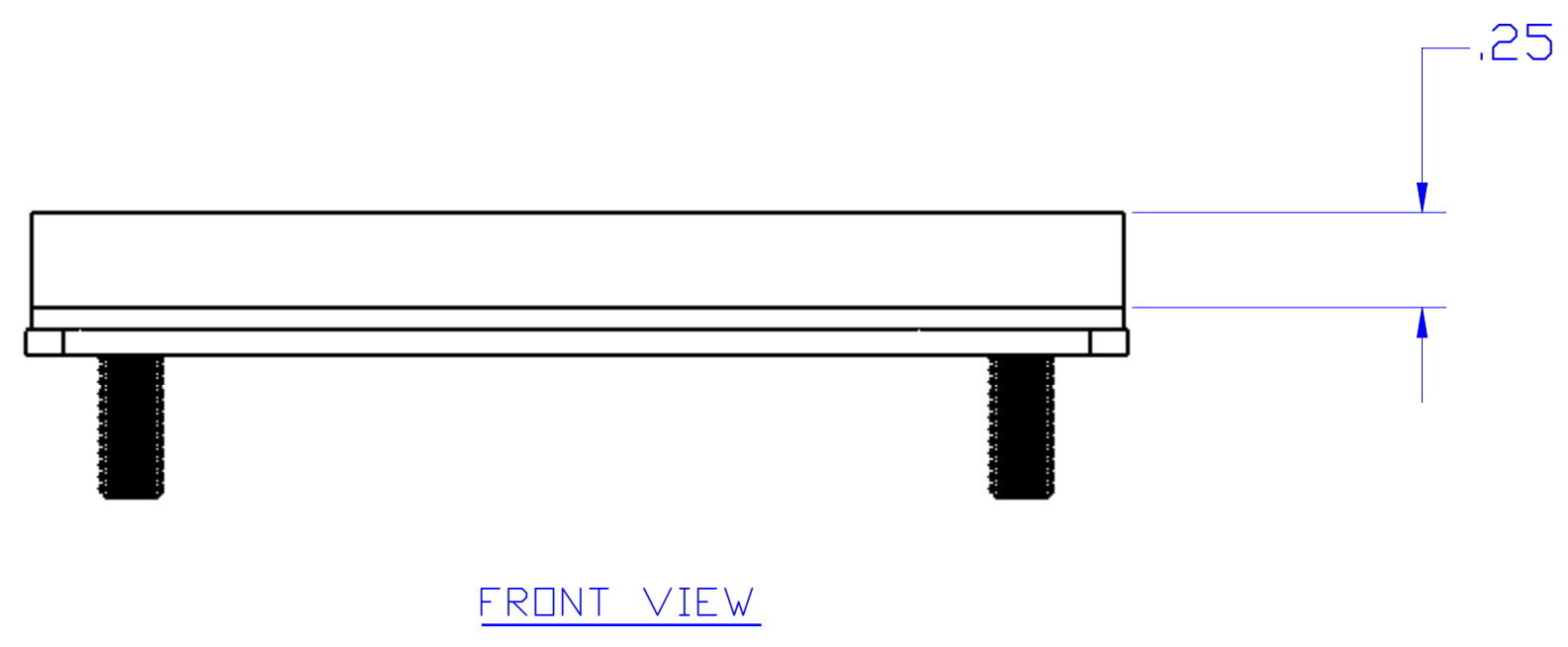
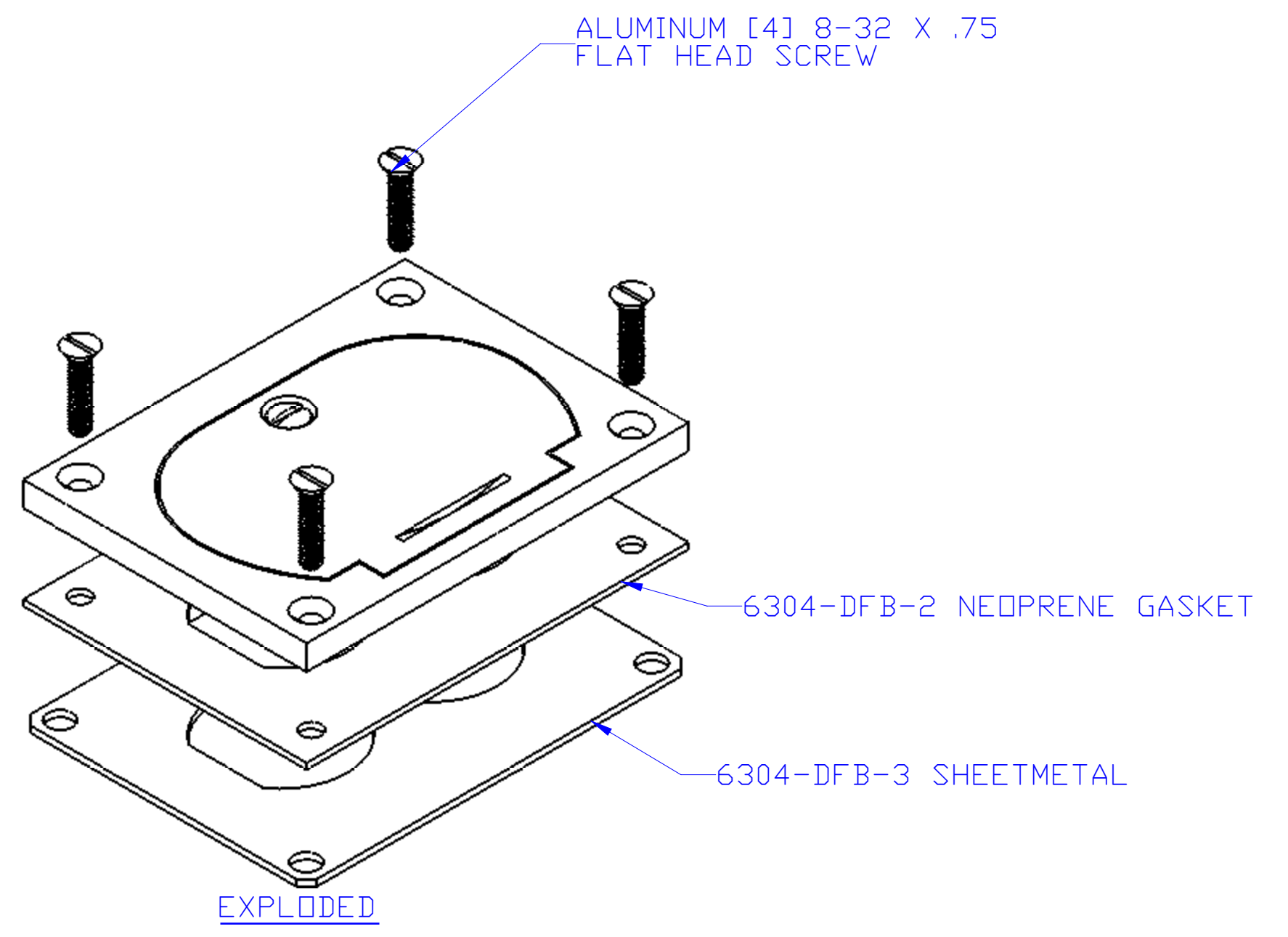
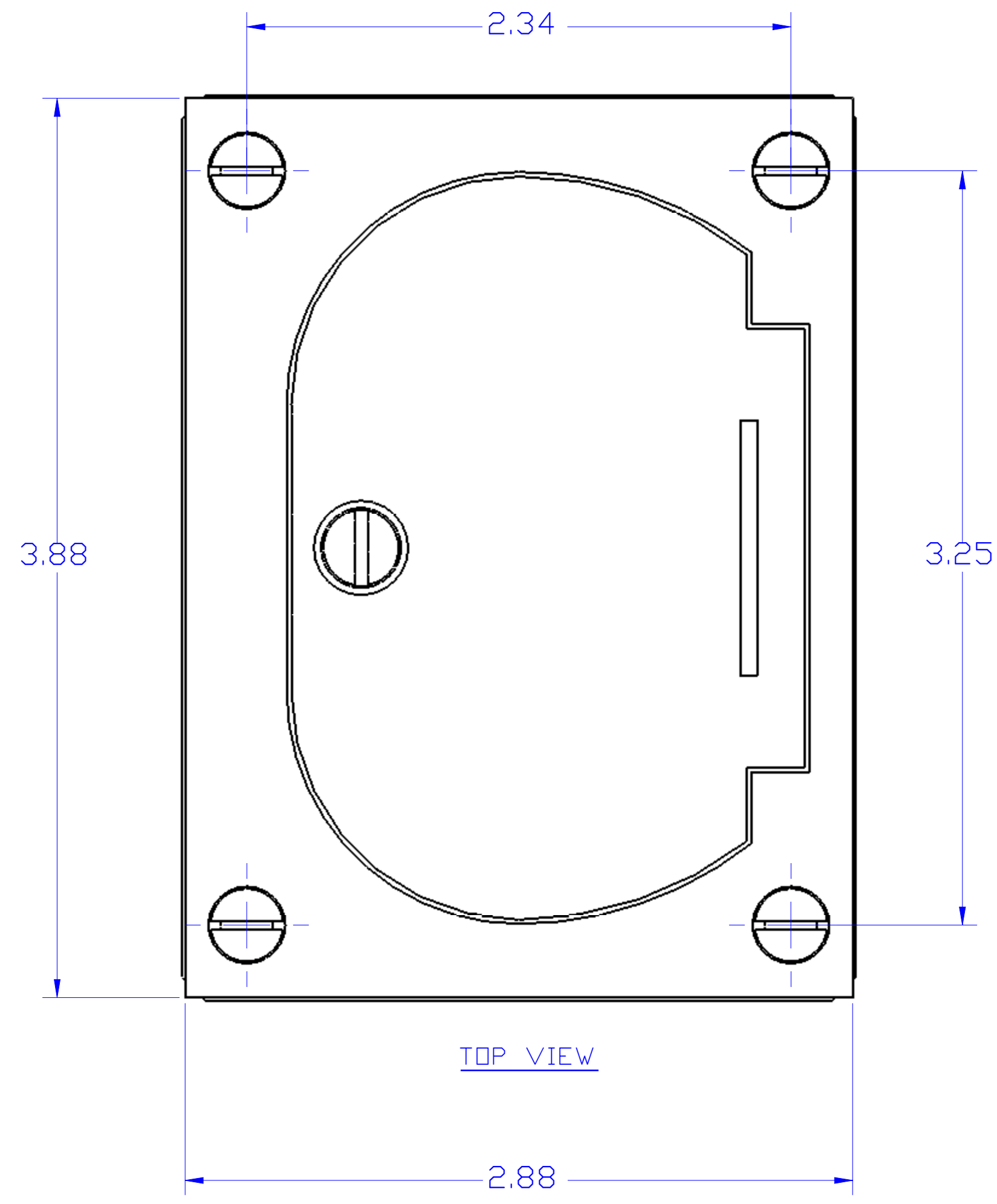


**LEW ELECTRIC
 FITTINGS COMPANY**
 SERVING THE ELECTRICAL INDUSTRY SINCE 1901

1801 W. St. Charles Rd. Maywood, IL 60153
 PHONE: 708-345-2075

UNLESS OTHERWISE SPECIFIED:	NAME	DATE	TITLE: 6304-DFB-1
DIMENSIONS ARE IN INCHES	DRAWN	P.J.G.	
TOLERANCES: FRACTIONAL: ± ANGULAR: MACH ± BEND ± TWO PLACE DECIMAL ± THREE PLACE DECIMAL ±			
INTERPRET GEOMETRIC TOLERANCING PER: MATERIAL	COMMENTS:		
FINISH	MATERIAL		SIZE DWG. NO. REV C 1001510 A
DO NOT SCALE DRAWING	WEIGHT:		SHEET 1 OF 8

DESCRIPTION:
 ALUMINUM, HINGED 2 7/8" X 3 7/8" COVER
 (1/4" THICK) FOR DUPLEX



LEW ELECTRIC
FITTINGS COMPANY
 SERVING THE ELECTRICAL INDUSTRY SINCE 1901

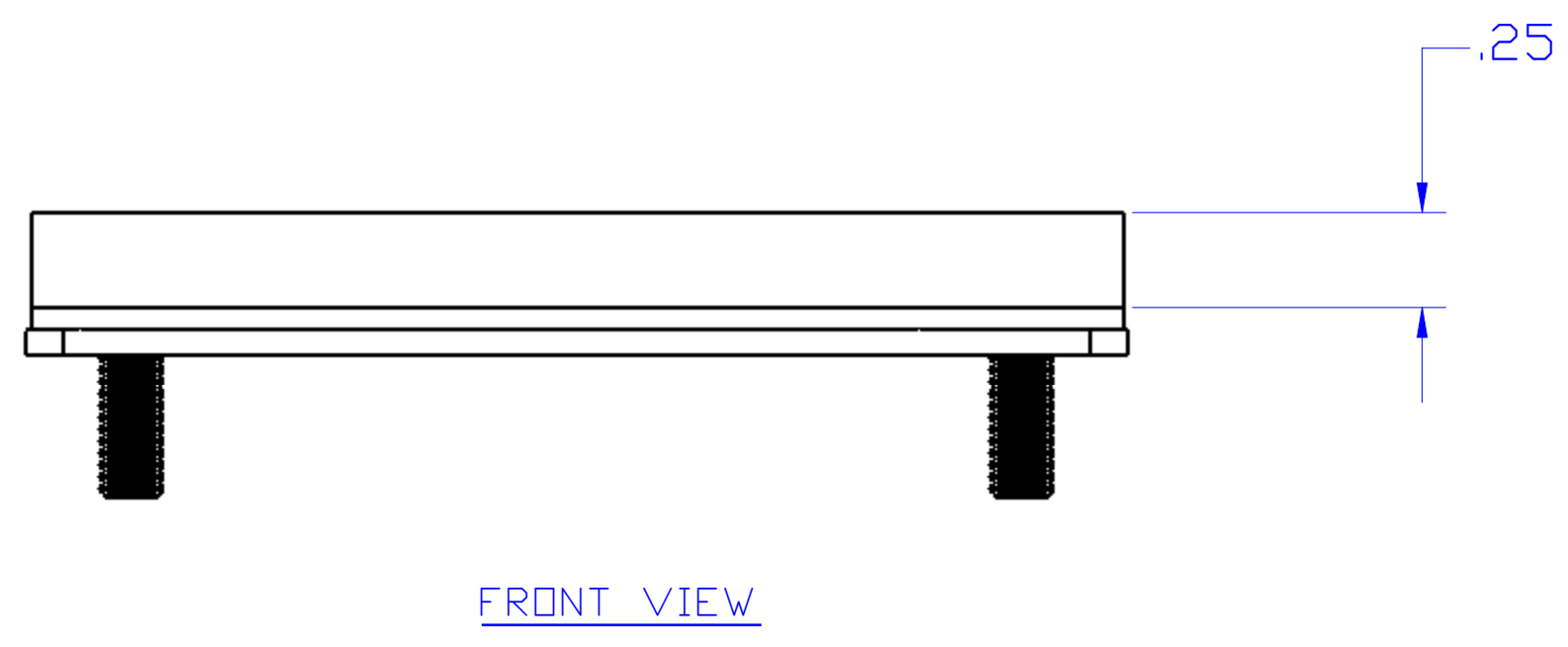
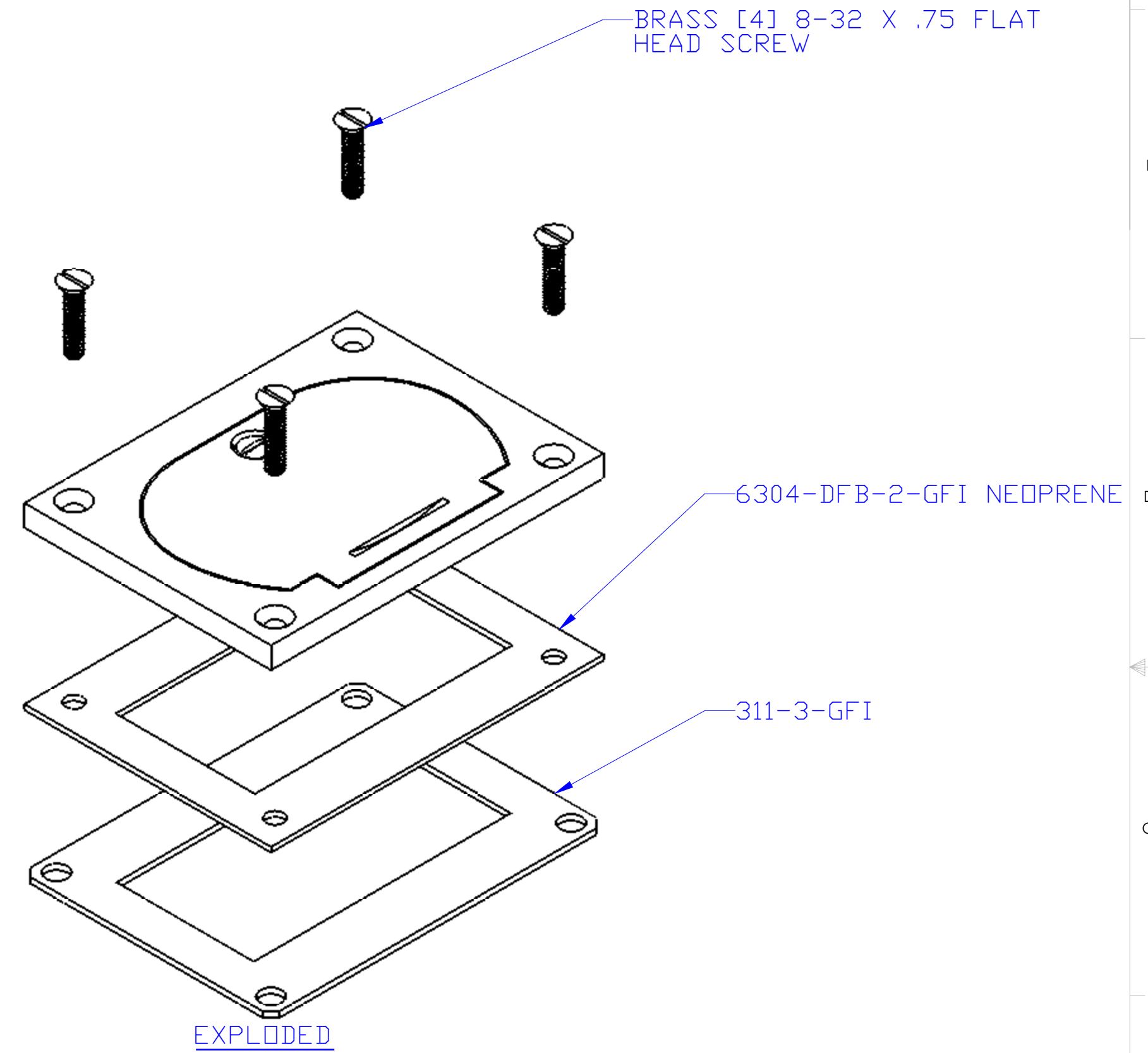
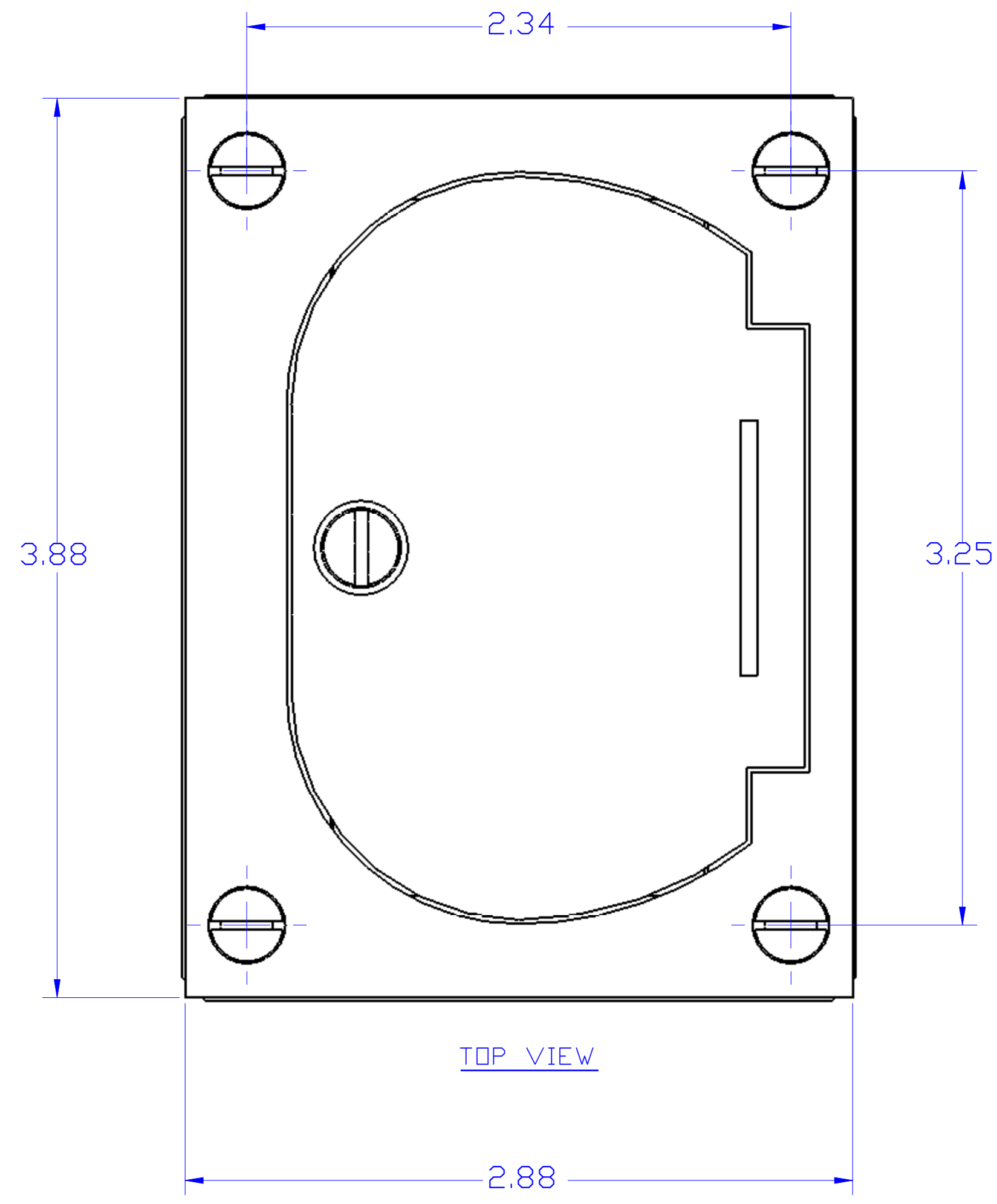
1801 W. St. Charles Rd. Maywood, IL 60153
 PHONE: 708-345-2075

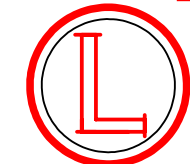
UNLESS OTHERWISE SPECIFIED:		NAME	DATE
DIMENSIONS ARE IN INCHES		DRAWN	PJG 11/7/2007
TOLERANCES:			
FRACTIONAL: ±			
ANGULAR: MACH ± BEND ±			
TWO PLACE DECIMAL ±			
THREE PLACE DECIMAL ±			
INTERPRET GEOMETRIC TOLERANCING PER:		COMMENTS:	
MATERIAL			
FINISH			
DO NOT SCALE DRAWING			

TITLE:
6304-DFB-1-A

SIZE C	DWG. NO. 1001520	REV A
WEIGHT:	SHEET 2 OF 8	

DESCRIPTION:
BRASS, HINGED 2 7/8" X 3 7/8" COVER
(1/4" THICK) FOR DECORA RECEPTACLE

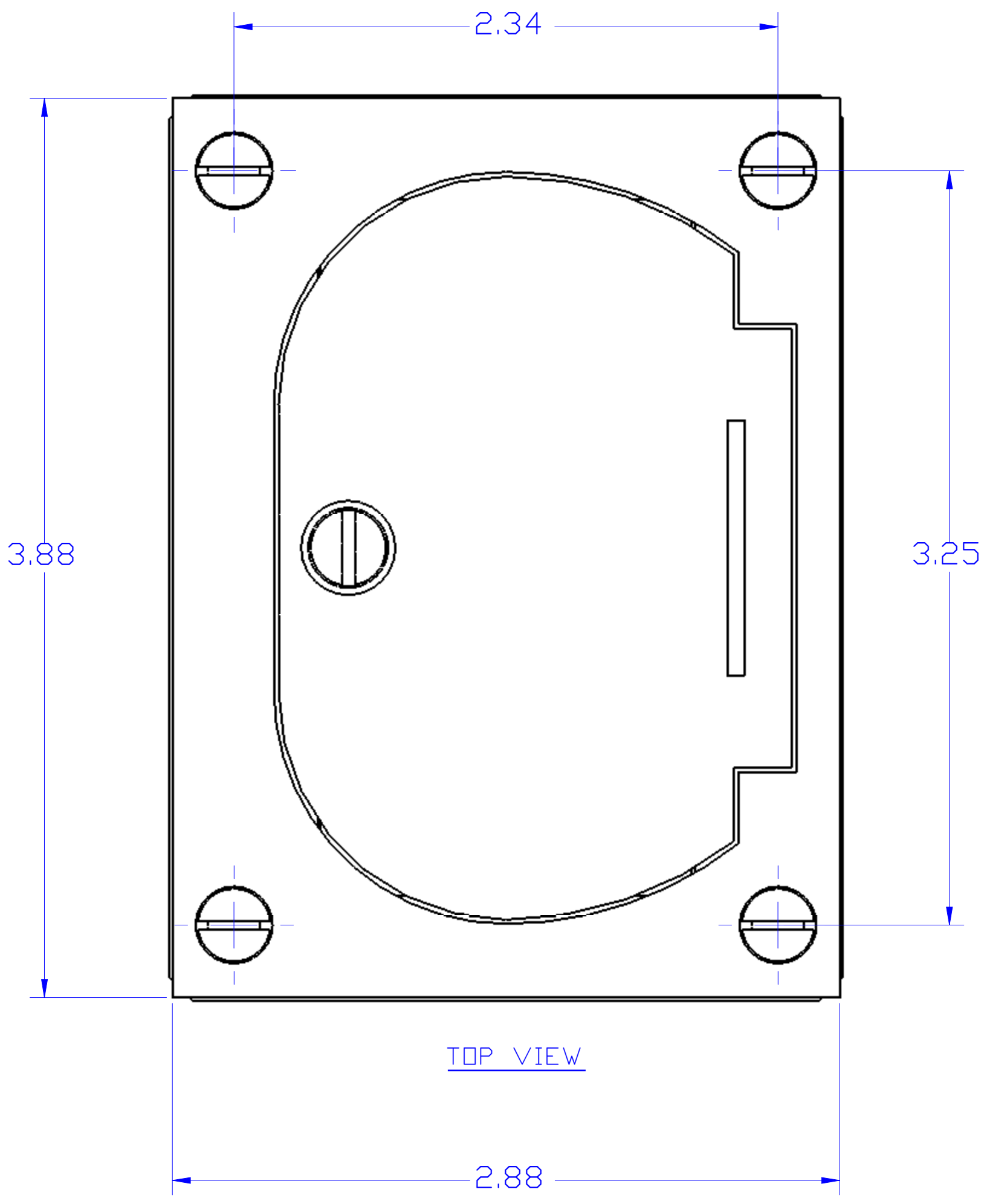




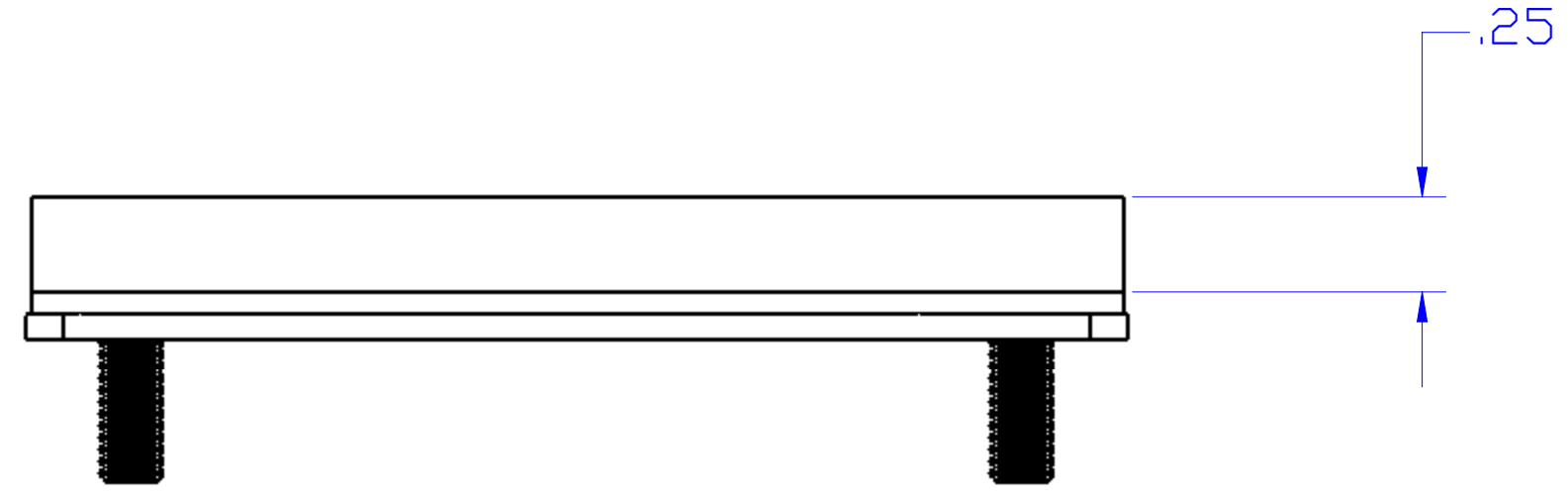
**LEW ELECTRIC
FITTINGS COMPANY**
SERVING THE ELECTRICAL INDUSTRY SINCE 1901

1801 W. St. Charles Rd. Maywood, IL 60153
PHONE: 708-345-2075

UNLESS OTHERWISE SPECIFIED:		NAME	DATE	TITLE: 6304-DFB-1-GFI
DIMENSIONS ARE IN INCHES		DRAWN	P.J.G.	
TOLERANCES:				
FRACTIONAL: ±				
ANGULAR: MATCH ± BEND ±				
TWO PLACE DECIMAL ±				
THREE PLACE DECIMAL ±				
INTERPRET GEOMETRIC TOLERANCING PER:		COMMENTS:		
MATERIAL				
FINISH				
DO NOT SCALE DRAWING		SIZE	DWG. NO.	REV
		C	1001550	A
		WEIGHT:	SHEET 3 OF 8	

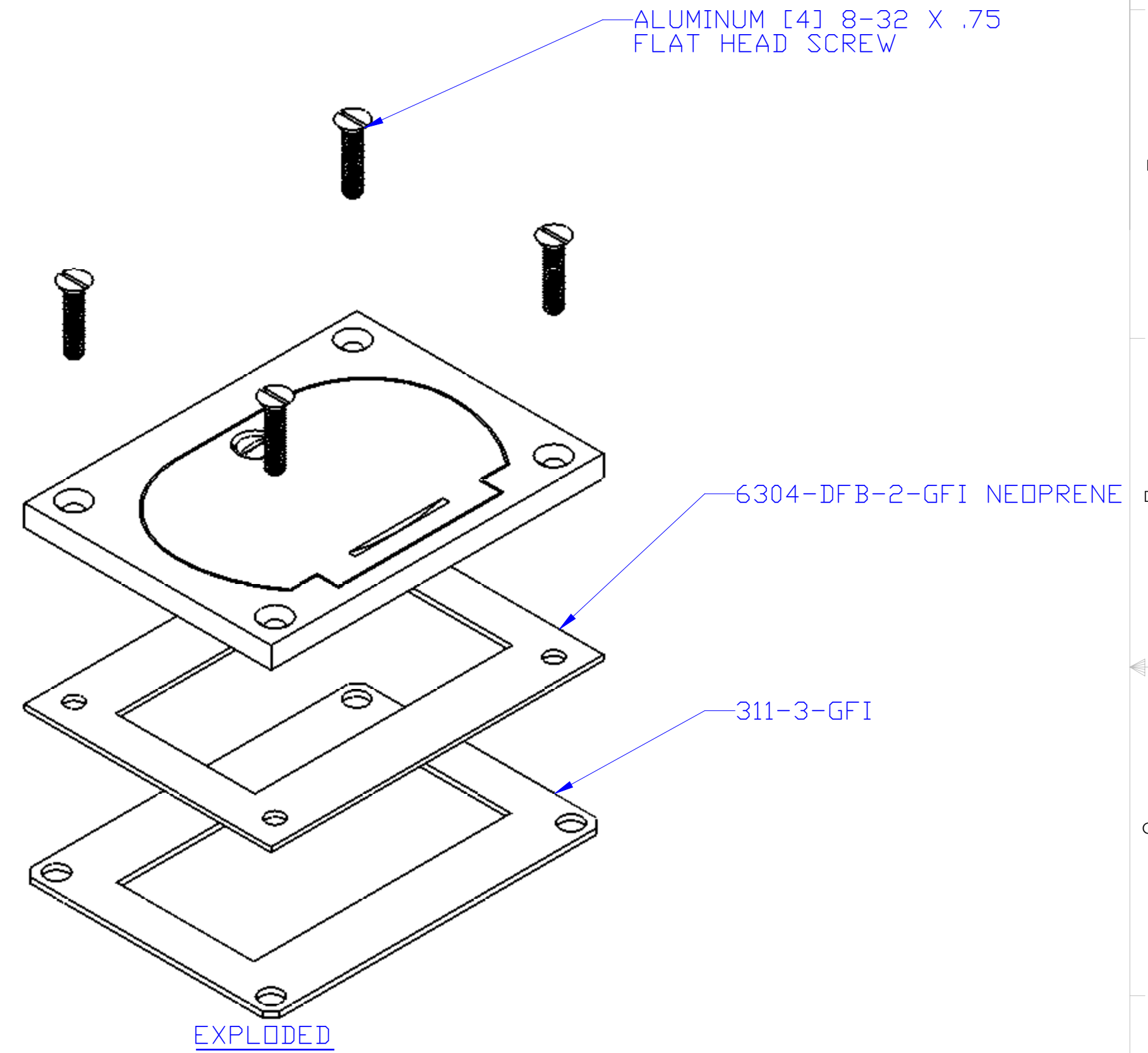


TOP VIEW



FRONT VIEW

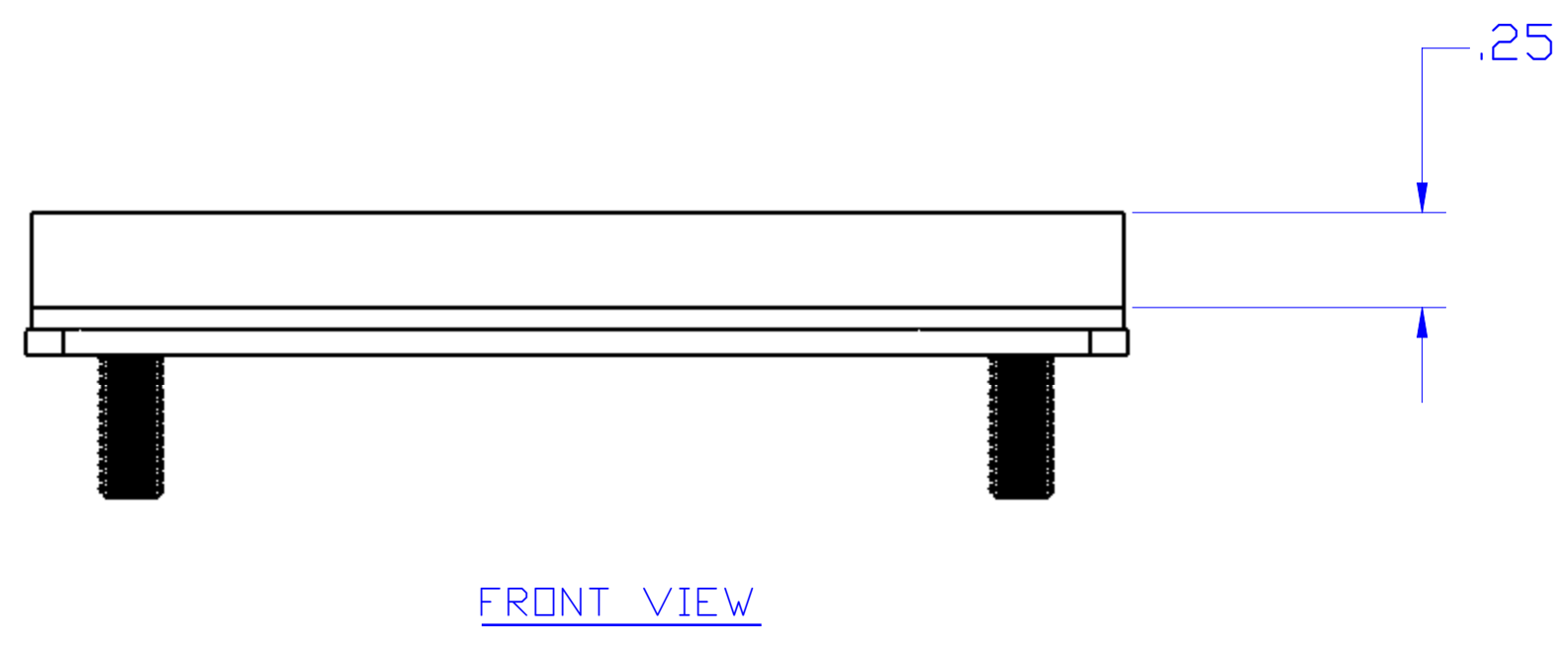
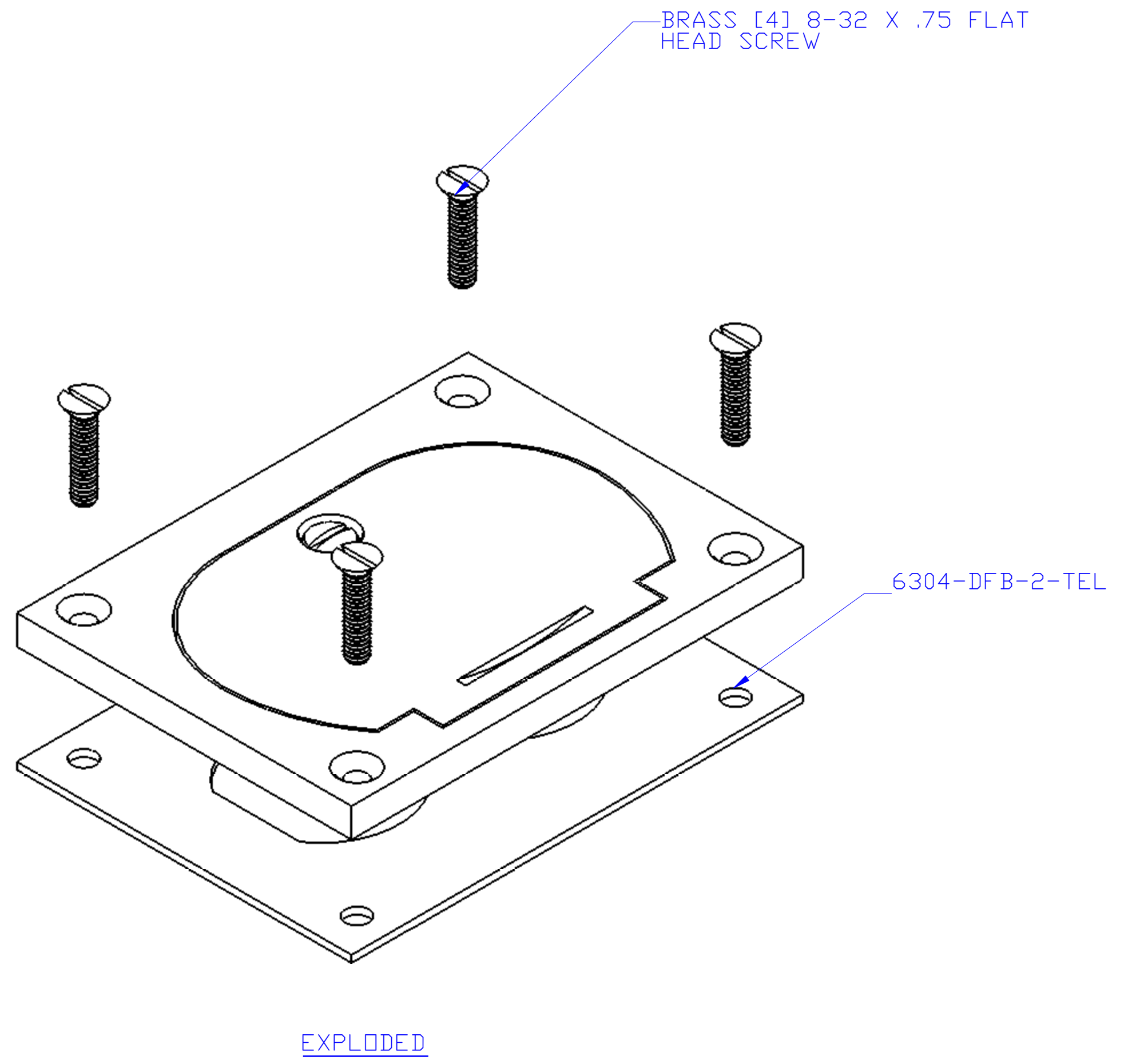
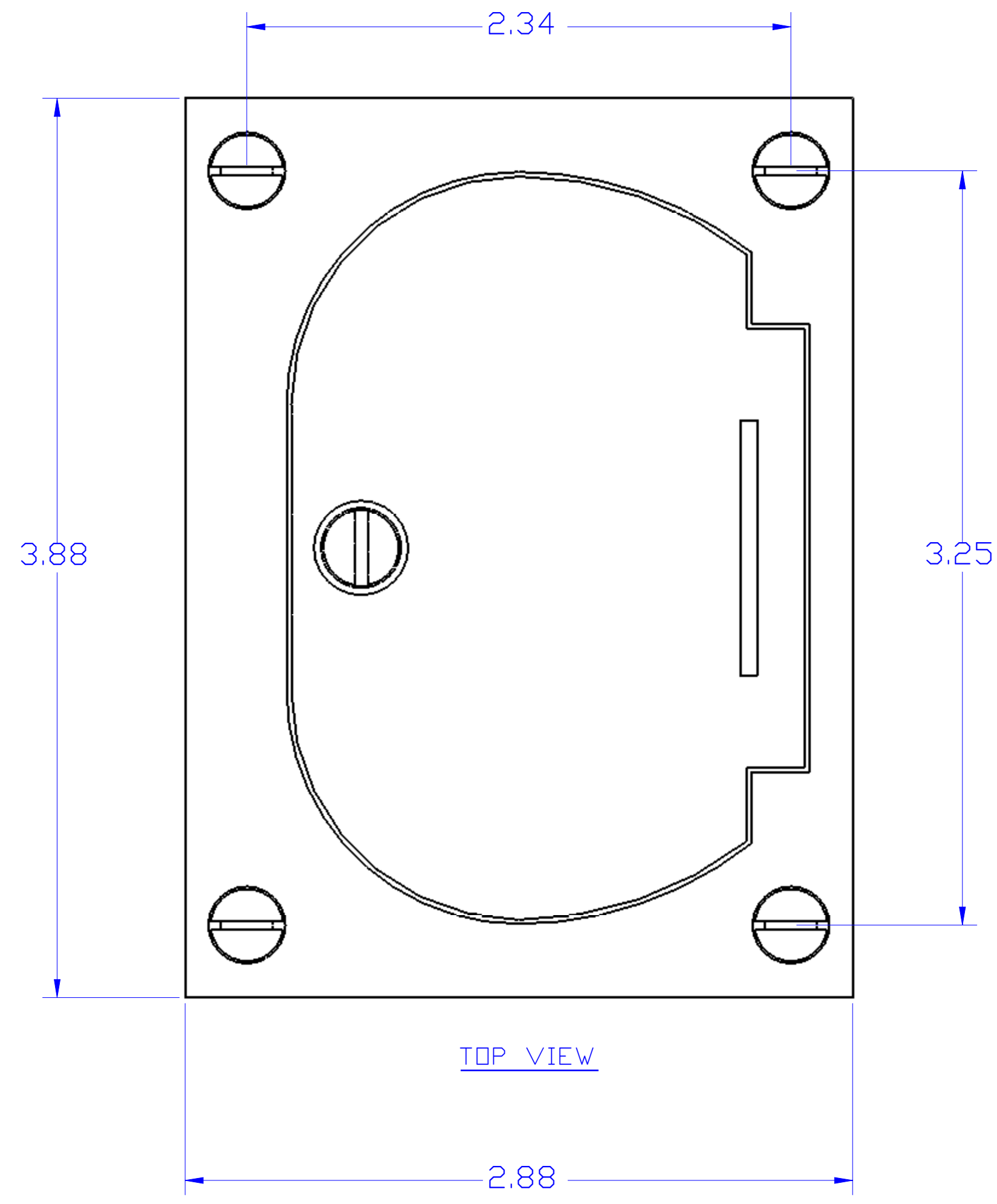
DESCRIPTION:
ALUMINUM, HINGED 2 7/8" X 3 7/8" COVER
(1/4" THICK) FOR DECORA RECEPTACLE

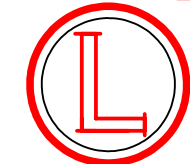


LEW ELECTRIC
FITTINGS COMPANY
SERVING THE ELECTRICAL INDUSTRY SINCE 1901
1801 W. St. Charles Rd. Maywood, IL 60153
PHONE: 708-345-2075

UNLESS OTHERWISE SPECIFIED:	NAME	DATE	TITLE: 6304-DFB-GF1-A
DIMENSIONS ARE IN INCHES	DRAWN	11/7/2007	
TOLERANCES:			SIZE DWG. NO. REV C 1001560 A
FRACTIONAL ±			
ANGULAR: MACH ± BEND ±			
TWO PLACE DECIMAL ±			WEIGHT: SHEET 4 OF 8
THREE PLACE DECIMAL ±			
INTERPRET GEOMETRIC TOLERANCING PER:	COMMENTS:		
MATERIAL			
FINISH			
DO NOT SCALE DRAWING			

DESCRIPTION:
 BRASS, HINGED 2 7/8" X 3 7/8" COVER
 (1/4" THICK) FOR COMM./DATA



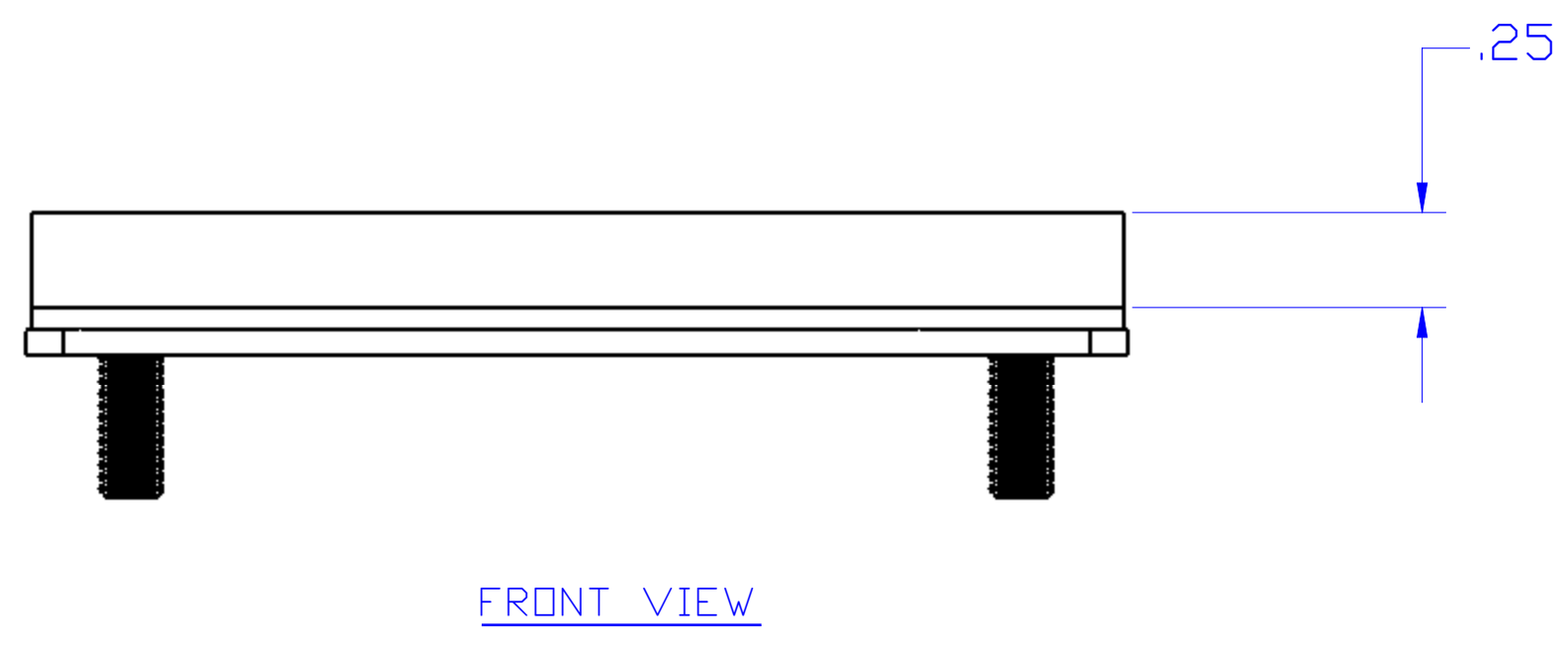
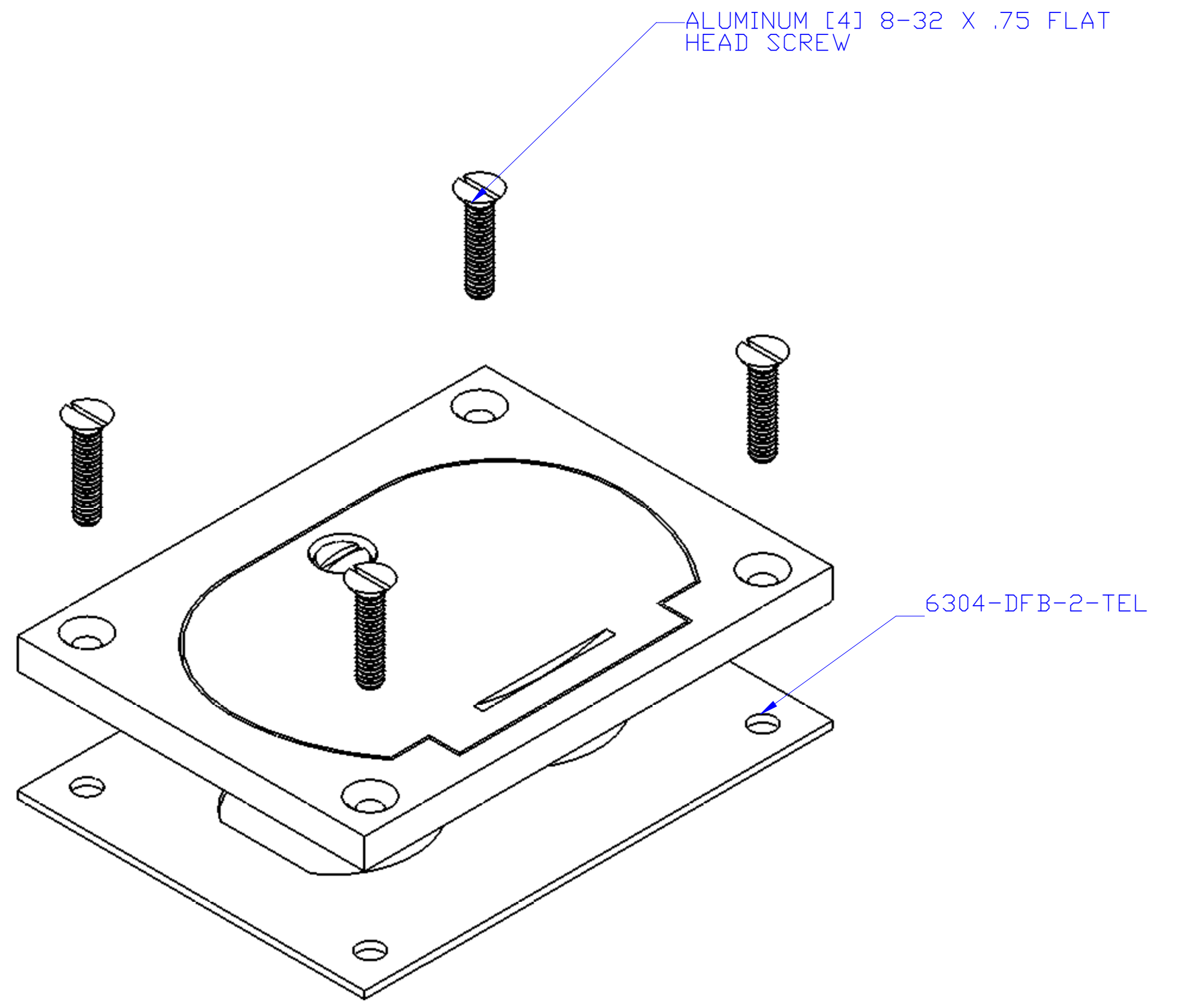
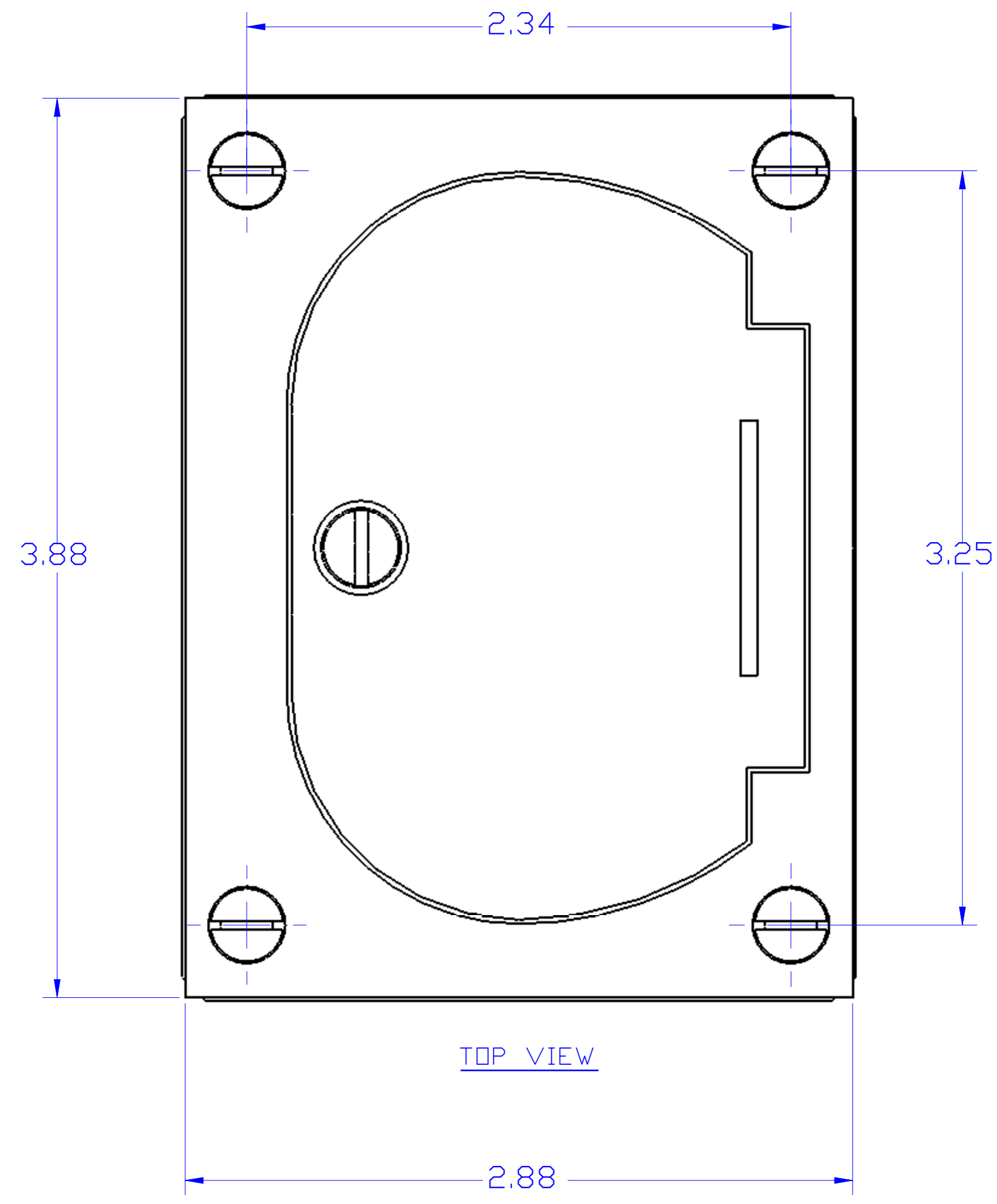


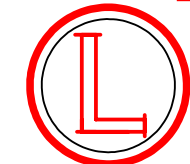
**LEW ELECTRIC
 FITTINGS COMPANY**
 SERVING THE ELECTRICAL INDUSTRY SINCE 1901

1801 W. St. Charles Rd. Maywood, IL 60153
 PHONE: 708-345-2075

UNLESS OTHERWISE SPECIFIED:	NAME	DATE	TITLE: 6304-DFB-1-TEL
DIMENSIONS ARE IN INCHES	DRAWN	P.J.G	
TOLERANCES: FRACTIONAL: ± ANGULAR: MACH ± BEND ± TWO PLACE DECIMAL ± THREE PLACE DECIMAL ±			
INTERPRET GEOMETRIC TOLERANCING PER: MATERIAL	COMMENTS:		
FINISH			SIZE DWG. NO. REV C 1001530 A
DO NOT SCALE DRAWING			WEIGHT: SHEET 5 OF 8

DESCRIPTION:
 ALUMINUM, HINGED 2 7/8" X 3 7/8" COVER
 (1/4" THICK) FOR COMM./DATA



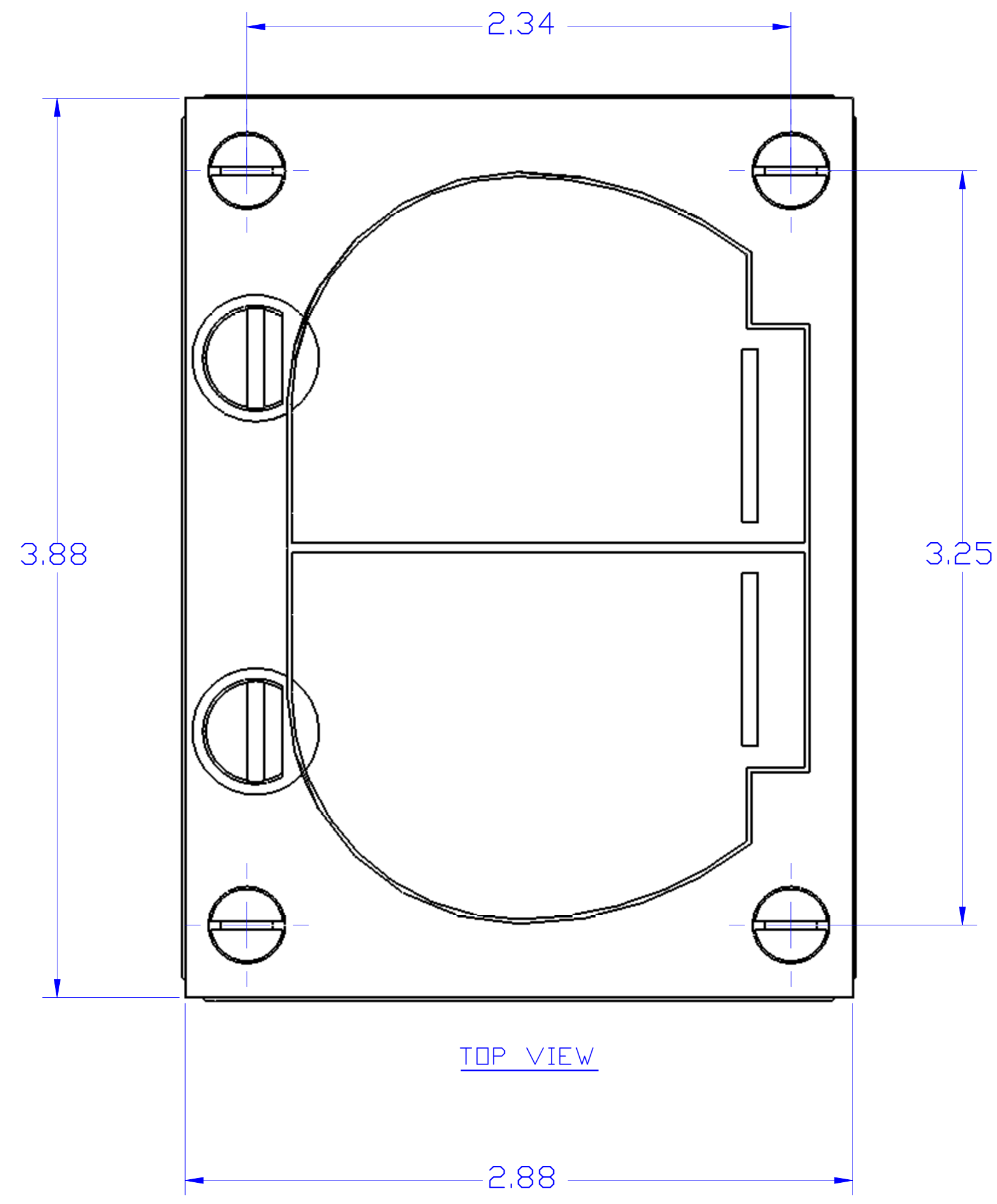


**LEW ELECTRIC
 FITTINGS COMPANY**
 SERVING THE ELECTRICAL INDUSTRY SINCE 1901

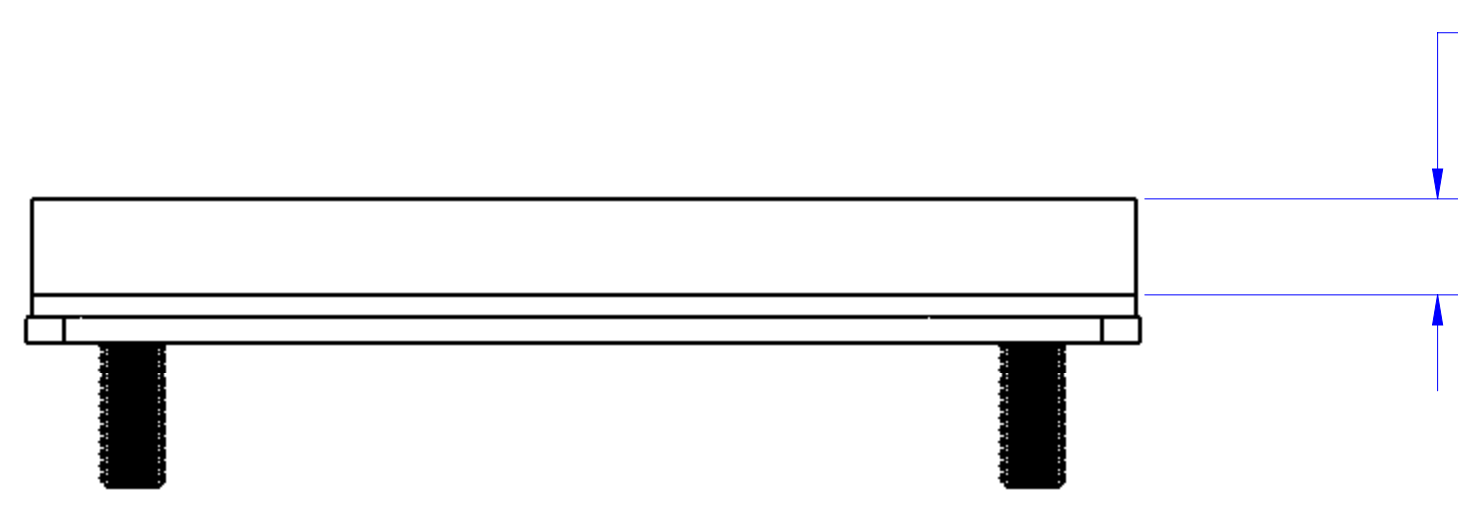
1801 W. St. Charles Rd. Maywood, IL 60153
 PHONE: 708-345-2075

UNLESS OTHERWISE SPECIFIED:	NAME	DATE	TITLE: 6304-DFB-1-TEL-A
DIMENSIONS ARE IN INCHES FRACTIONAL: ± ANGULAR: MACH ± BEND ± TWO PLACE DECIMAL ± THREE PLACE DECIMAL ±	DRAWN P.J.G.	11/7/2007	
INTERPRET GEOMETRIC TOLERANCING PER: MATERIAL	COMMENTS:		SIZE DWG. NO. REV C 1001540 A
FINISH			
DO NOT SCALE DRAWING	WEIGHT:	SHEET 6 OF 8	

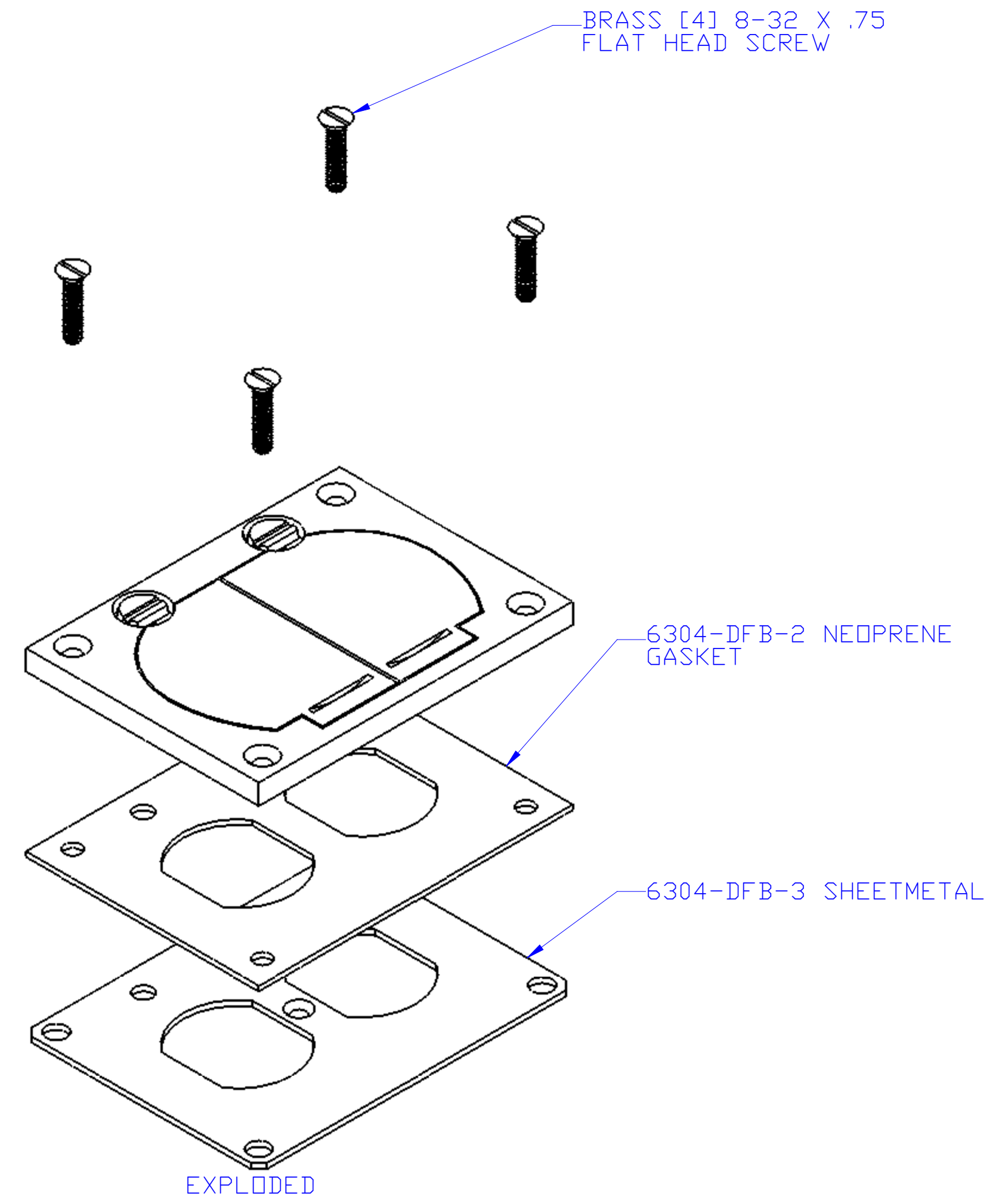
DESCRIPTION:
 BRASS, DUAL HINGED 2 7/8" X 3 7/8"
 COVER (1/4" THICK) FOR DUPLEX

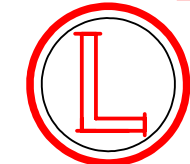


TOP VIEW



FRONT VIEW





LEW ELECTRIC
FITTINGS COMPANY
 SERVING THE ELCTRICAL INDUSTRY SINCE 1901

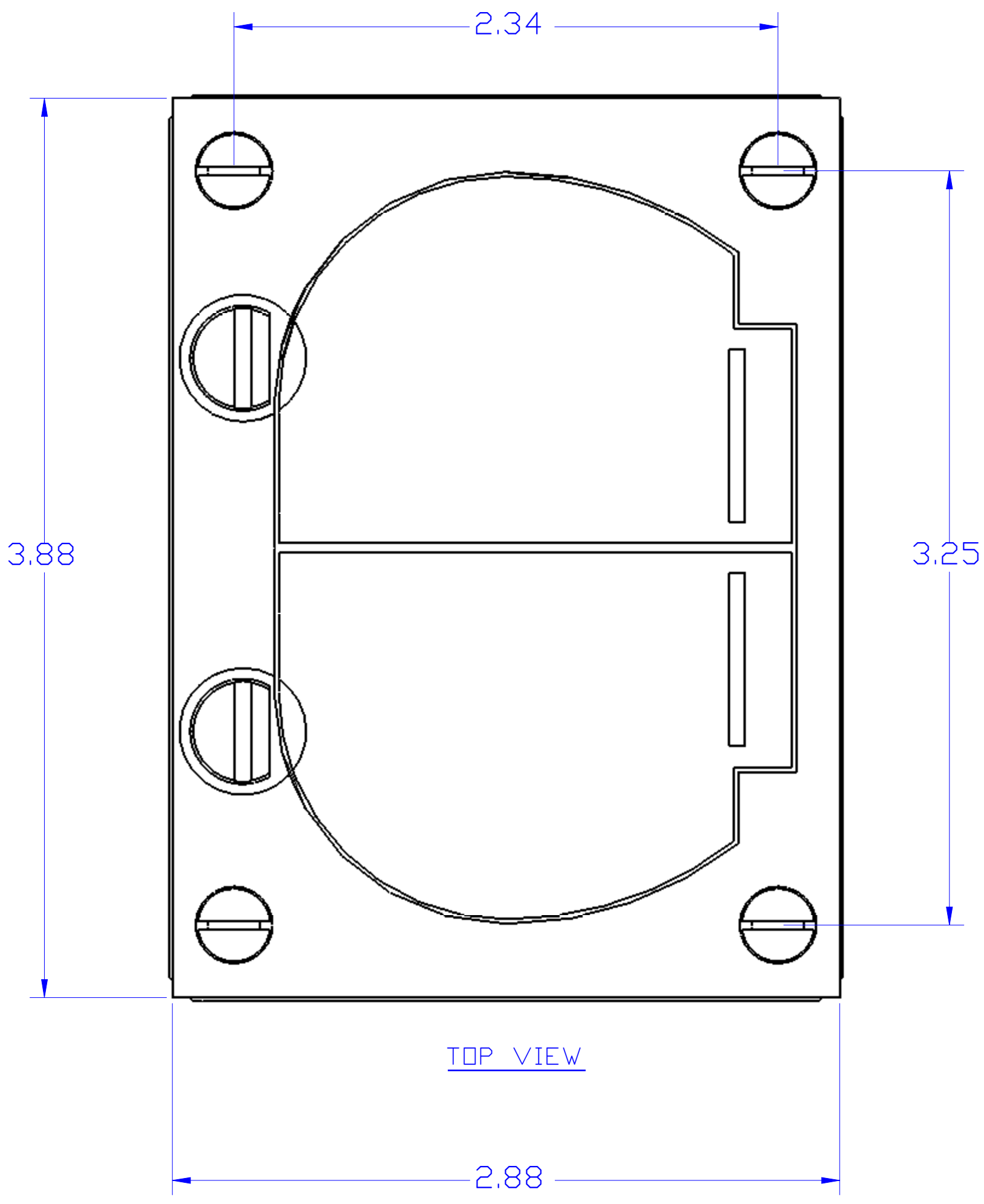
1801 W. St. Charles Rd. Maywood, IL 60153
 PHONE: 708-345-2075

UNLESS OTHERWISE SPECIFIED:		NAME	DATE
DIMENSIONS ARE IN INCHES		DRAWN	PJG 11/7/2007
TOLERANCES:			
FRACTIONAL: ±			
ANGULAR: MACH ± BEND ±			
TWO PLACE DECIMAL ±			
THREE PLACE DECIMAL ±			
INTERPRET GEOMETRIC TOLERANCING PER:		COMMENTS:	
MATERIAL			
FINISH			
DO NOT SCALE DRAWING			

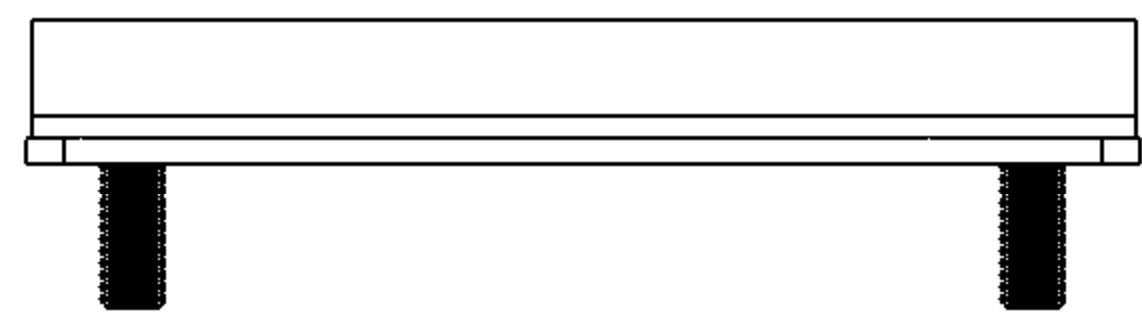
TITLE:
6304-DFB-LR

SIZE DWG. NO. REV
C 1001570 **A**

WEIGHT: SHEET 7 OF 8

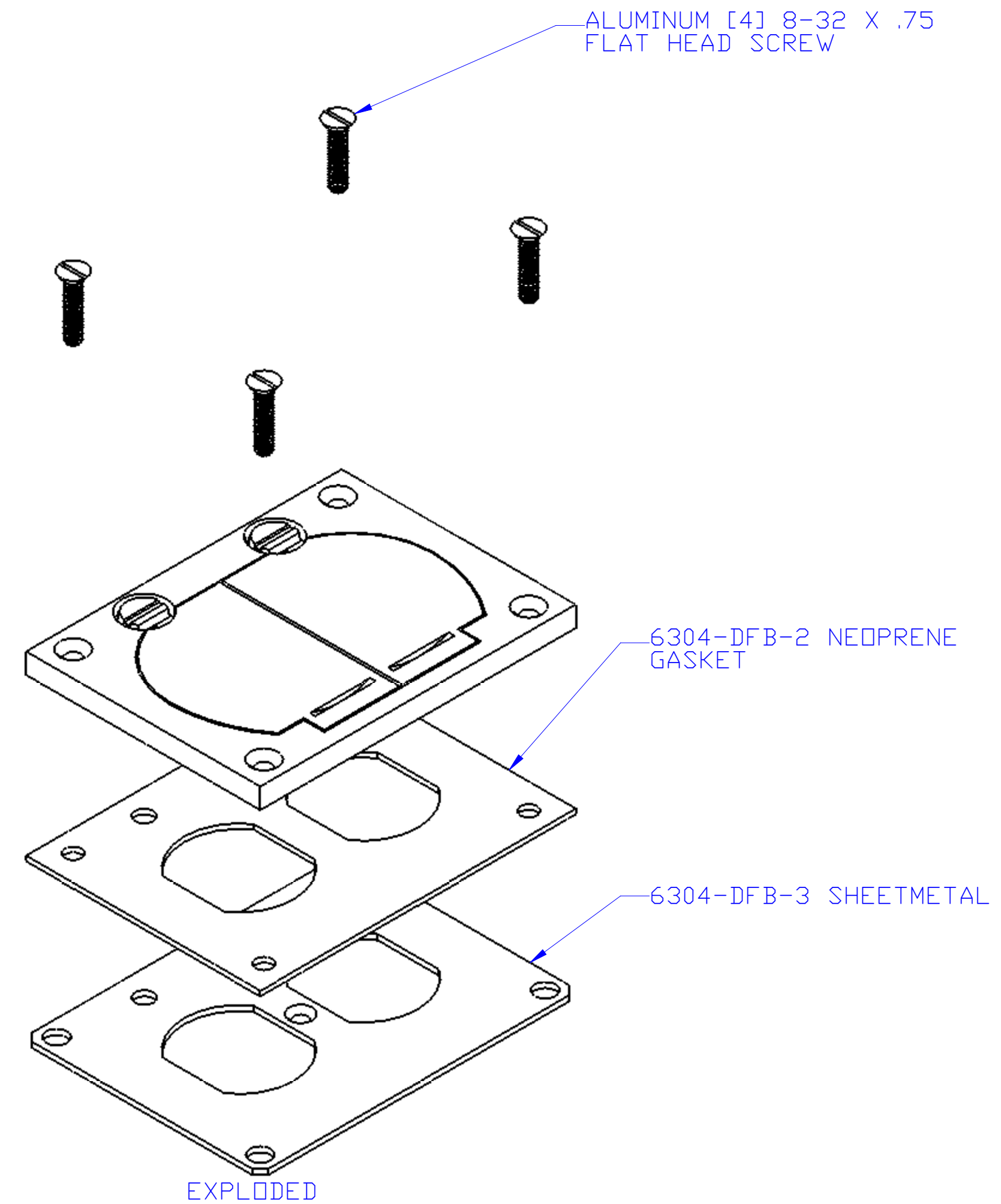


TOP VIEW



FRONT VIEW

DESCRIPTION:
ALUMINUM, DUAL HINGED 2 7/8" X 3 7/8"
COVER (1/4" THICK) FOR DUPLEX



UNLESS OTHERWISE SPECIFIED:		NAME	DATE	TITLE: 6304-DFB-LR-A
DIMENSIONS ARE IN INCHES		DRAWN	PJG	
TOLERANCES:				
FRACTIONAL: ±				
ANGULAR: MATCH ± BEND ±				
TWO PLACE DECIMAL ±				
THREE PLACE DECIMAL ±				
INTERPRET GEOMETRIC TOLERANCING PER:		COMMENTS:		
MATERIAL				
FINISH				
DO NOT SCALE DRAWING		SIZE	DWG. NO.	REV
		C	1001580	A
		SCALE: 1:1	WEIGHT:	SHEET 8 OF 8