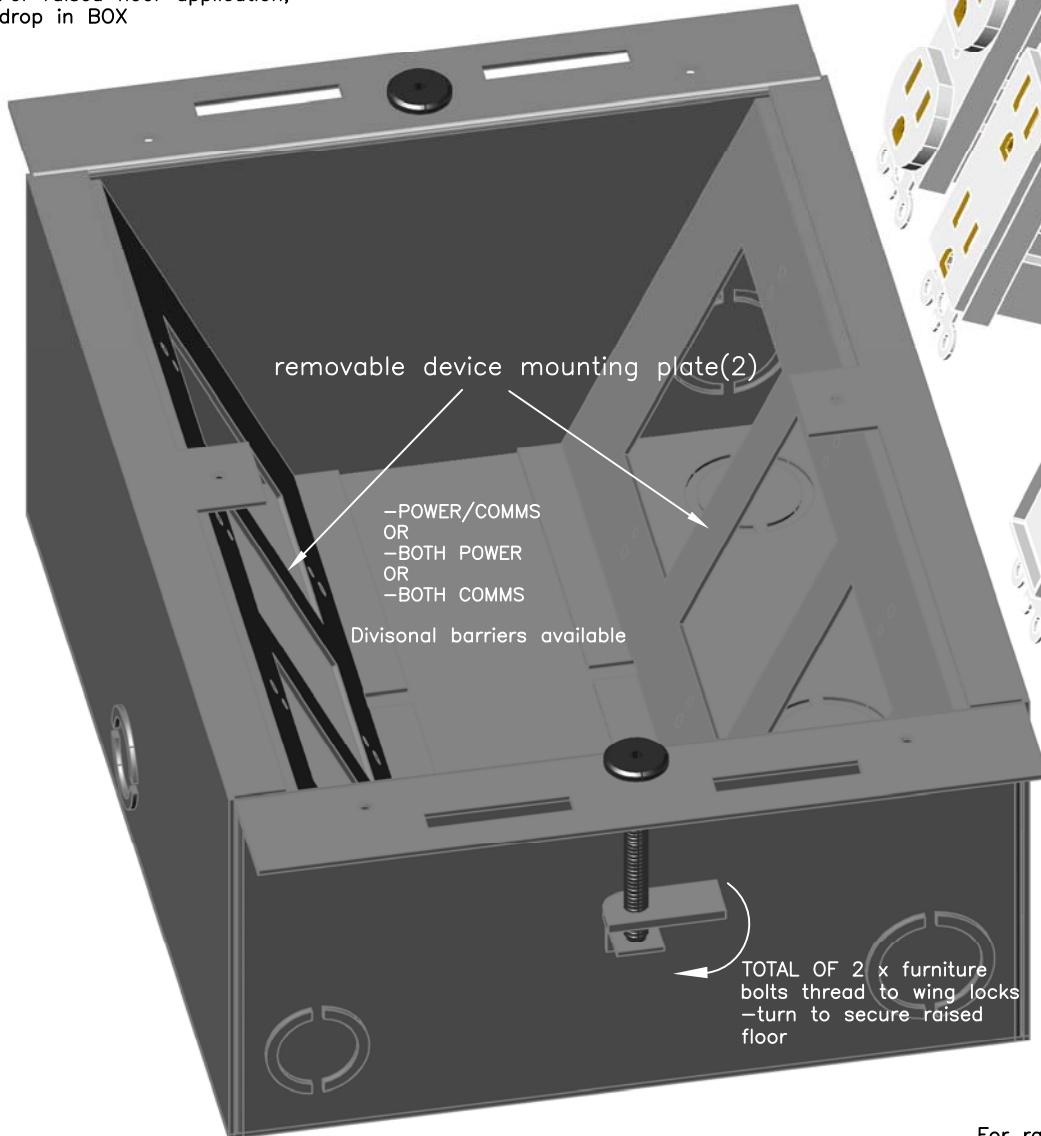


Faceplates – standard or decora style to suit device requirements. Can be removed and installed at anytime to gain access to devices and wiring.

Standard or Decora devices per job spec. Device(s) to be recognized/classified or listed

For raised floor application;
drop in BOX

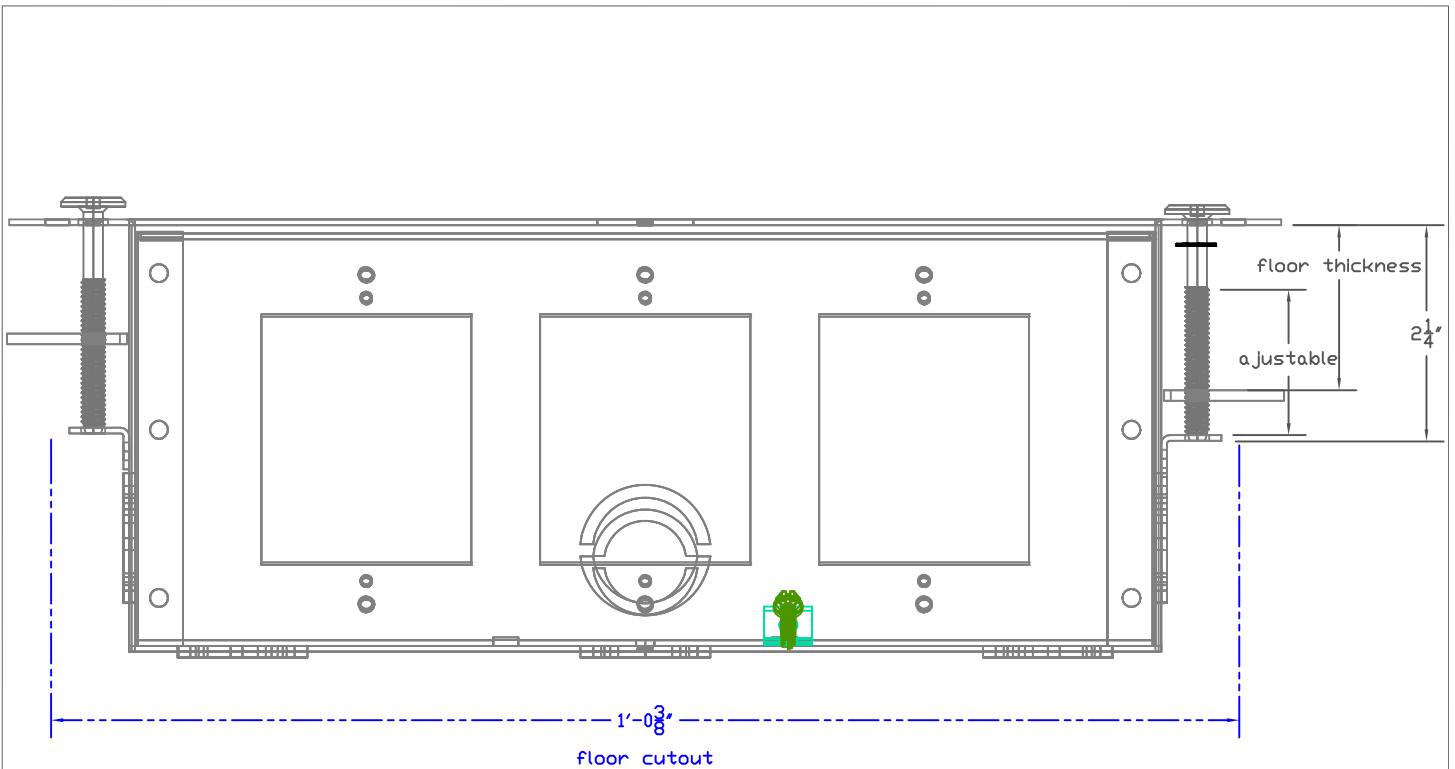


Available 1 to 6
Keystone style
Decora mounting
plates.
Cat. per job spec.

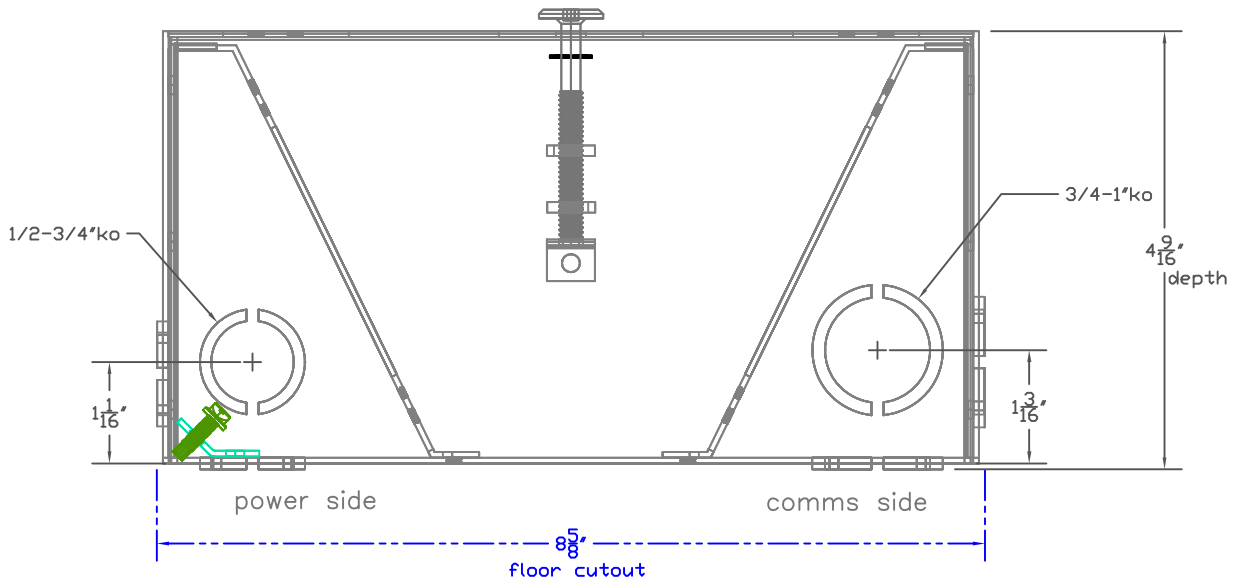
Back Box 8.5"x10.75"x4.5"H c/w
-6x1/2-3/4"KO's POWER
& 6x3/4"-1"KO's COMMS

For raised floor application;
drop in from above then install
COVER Plate (cover plate not shown)
Cover per submittal



<p>PROPRIETARY AND CONFIDENTIAL</p> <p>THE INFORMATION CONTAINED IN THIS DRAWING IS THE SOLE PROPERTY OF NOCOM. ANY REPRODUCTION IN PART OR AS A WHOLE WITHOUT THE WRITTEN PERMISSION OF NOCOM IS PROHIBITED.</p>			<p>DIMENSIONS ARE IN MM TOLERANCES: ANGLES: ±1 DEGREE LINEAR: ±0.1 MM (UNLESS SPECIFIED)</p>	NAME	DATE (yy-mm-dd)	<p>6gang DEEP RAISED FLOOR BOX</p> <p>MULTICONNECT™</p> <p>by NOCOM®</p> <p>888-225-2478 www.nocom.ca</p>	
				DRAWN	TJP		18-09-10
				CHECKED			
				ENG. APPR.			
				MFG APPR.			
		MATERIAL	See Variant table		<p>COMMENTS:</p>		
		FINISH					
NEXT ASST	USED ON						
APPLICATION		DO NOT SCALE DRAWING					
				SCALE=1:1	WEIGHT:	SHEET 1 OF 1	



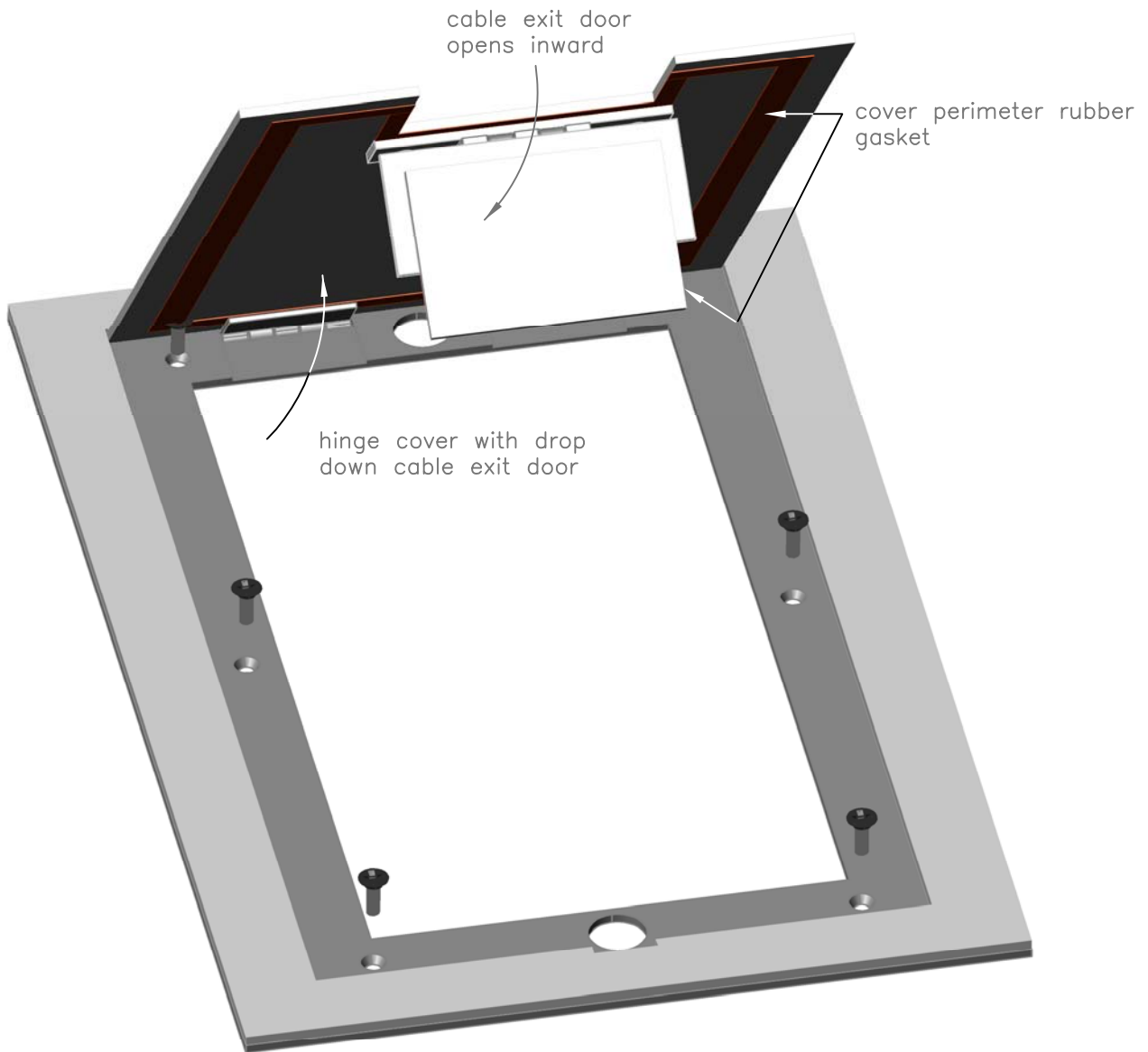
SIDE VIEW (SECTIONAL)



END VIEW (SECTIONAL)

		DIMENSIONS ARE IN MM TOLERANCES: ANGLES: ± 1 DEGREE LINEAR: ± 0.1 MM (UNLESS SPECIFIED)		NAME	DATE	6gang DEEP RAISED FLOOR BOX	
				DRAWN	TJP	18-07-12	 by  888-225-2478 www.nocom.ca
				CHECKED			
				ENG. APPR.			
				MFG APPR.			
				Q.A.			
				COMMENTS:			
		MATERIAL See Variant table					
		FINISH					
NEXT ASST		USED ON					
APPLICATION		DO NOT SCALE DRAWING					




PROPRIETARY AND CONFIDENTIAL
 THE INFORMATION CONTAINED IN THIS DRAWING IS THE SOLE PROPERTY OF NOCOM. ANY REPRODUCTION IN PART OR AS A WHOLE WITHOUT THE WRITTEN PERMISSION OF NOCOM IS PROHIBITED.



Mounting plate
(factory weld to cover assembly)
Bolts (6 places) onto box after wing locks have been secured to floor

Cover steel powder coated black

different shades utilized for component differentiating

		DIMENSIONS ARE IN MM TOLERANCES: ANGLES: ± 1 DEGREE LINEAR: ± 0.1 MM (UNLESS SPECIFIED)		NAME	DATE (yy-mm-dd)	6gang DEEP RAISED FLOOR BOX	
		MATERIAL See Variant table		DRAWN	TJP		 by  888-225-2478 www.nocom.ca
		FINISH		CHECKED			
NEXT ASST	USED ON			ENG. APPR.			
				MFG APPR.			
				Q.A.			
APPLICATION		DO NOT SCALE DRAWING		COMMENTS:		 888-225-2478 www.nocom.ca cat. # 6200 series COVER	
				SCALE=half	WEIGHT:	REV. SHEET 3 OF 3	

PROPRIETARY AND CONFIDENTIAL
THE INFORMATION CONTAINED IN THIS DRAWING IS THE SOLE PROPERTY OF NOCOM. ANY REPRODUCTION IN PART OR AS A WHOLE WITHOUT THE WRITTEN PERMISSION OF NOCOM IS PROHIBITED.