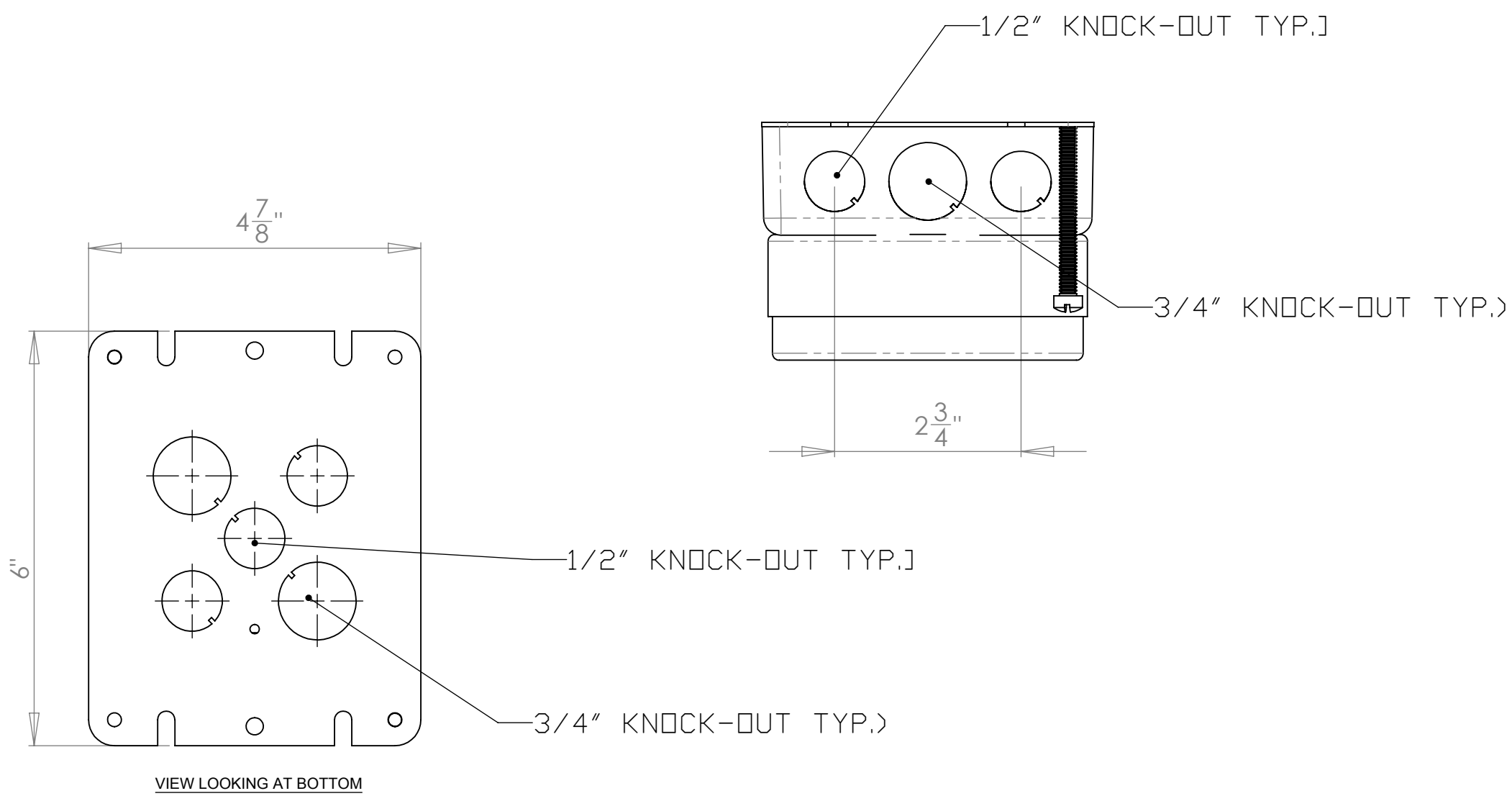
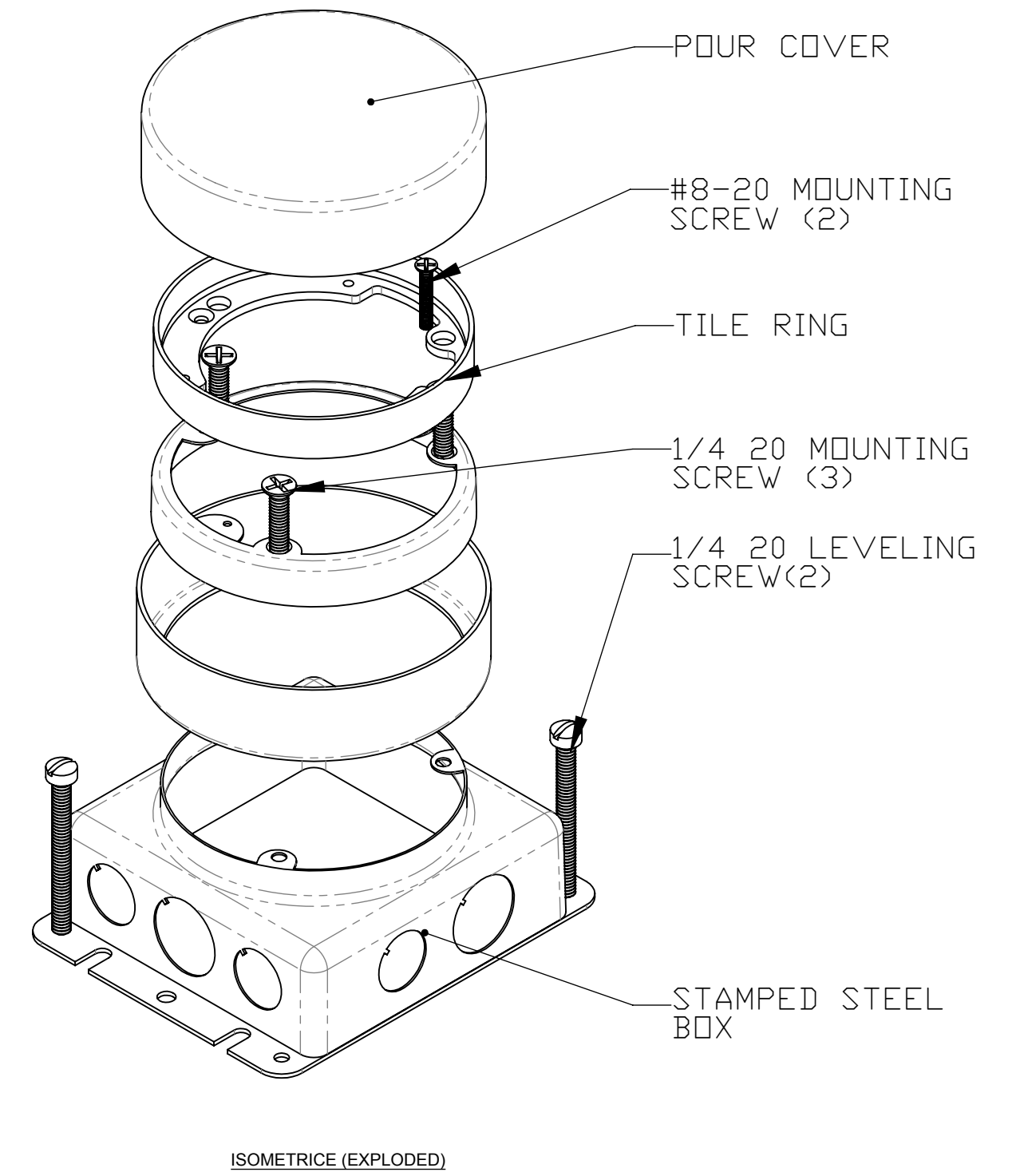
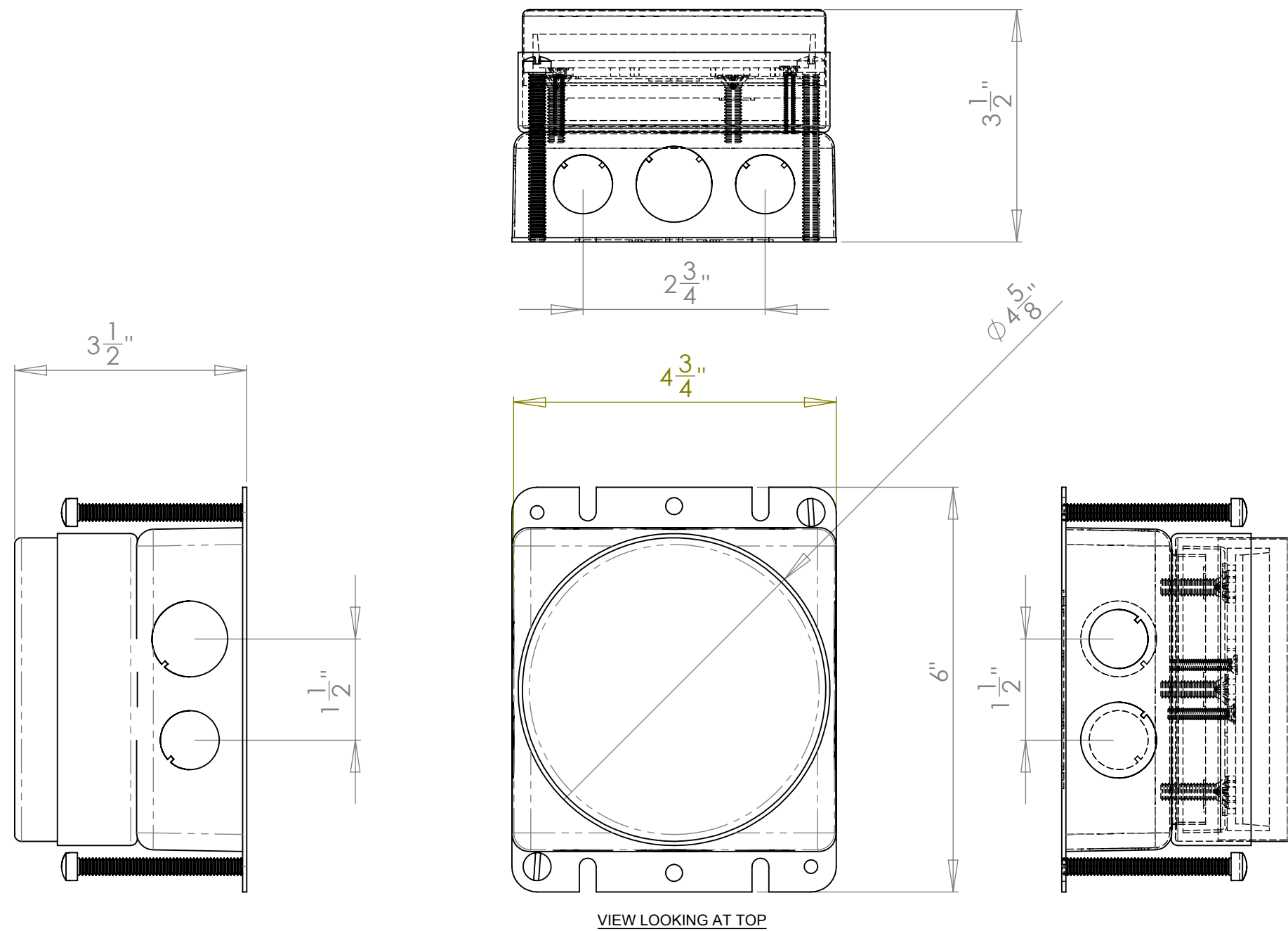



DESCRIPTION:
SEMI-ADJUSTABLE STAMPED STEEL FLOOR BOX
WITH TILE RING





**LEW ELECTRIC
FITTINGS COMPANY**
SERVING THE ELCTRICAL INDUSTRY SINCE 1901
1801 W. St. Charles Rd. Maywood, IL 60153
PHONE: 708-345-2075

UNLESS OTHERWISE SPECIFIED:		NAME	DATE	TITLE:
DIMENSIONS ARE IN INCHES		DRAWN	PJG	
TOLERANCES:				532-SB-SMB
FRACTIONAL ±				
ANGULAR: MATCH ± BEND ±				
TWO PLACE DECIMAL ±				
THREE PLACE DECIMAL ±				SIZE DWG. NO. REV
INTERPRET GEOMETRIC TOLERANCING PER:		COMMENTS:		C -
MATERIAL:				WEIGHT: SHEET 1 OF 1
FINISH:				
DO NOT SCALE DRAWING				