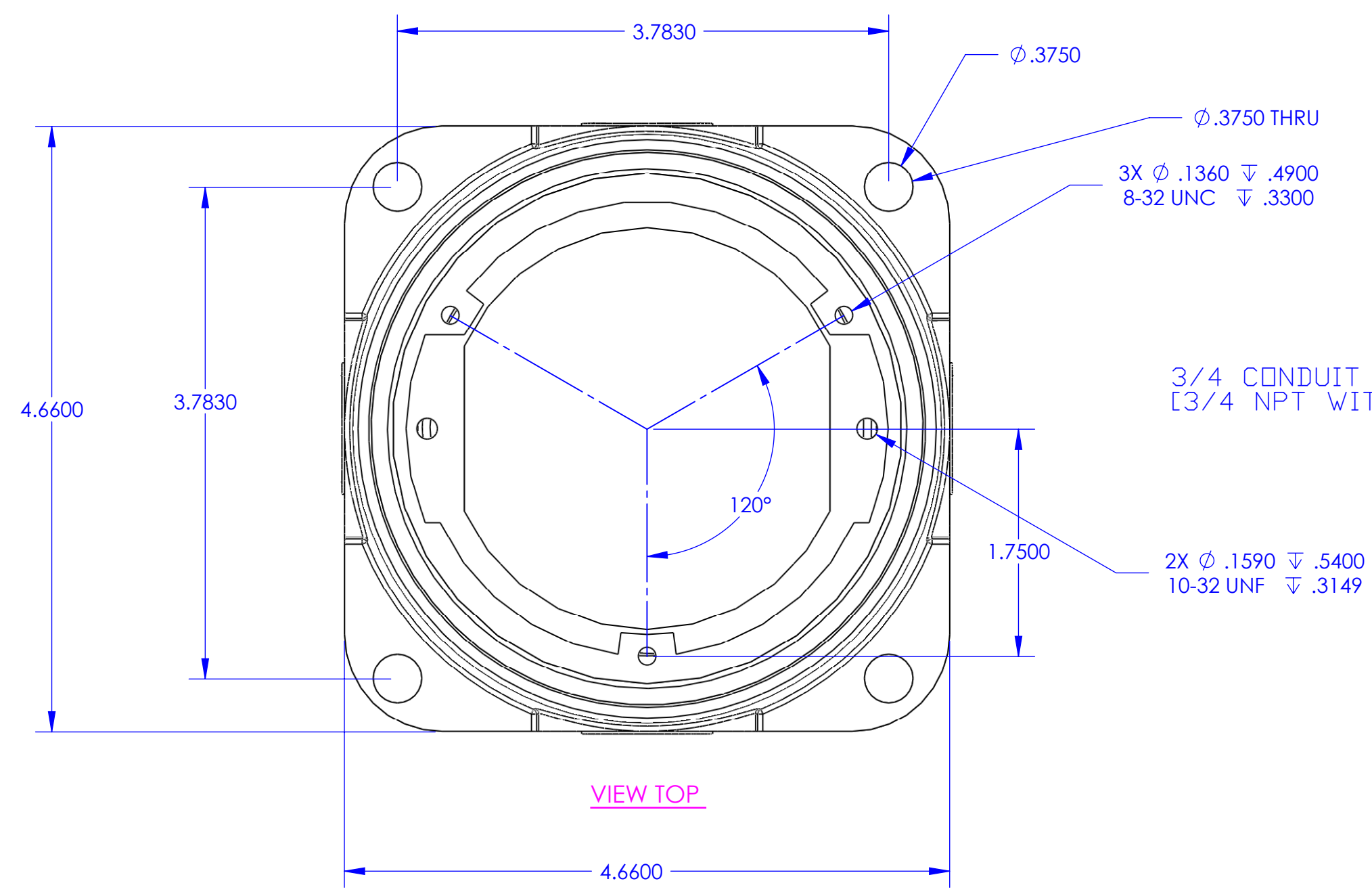
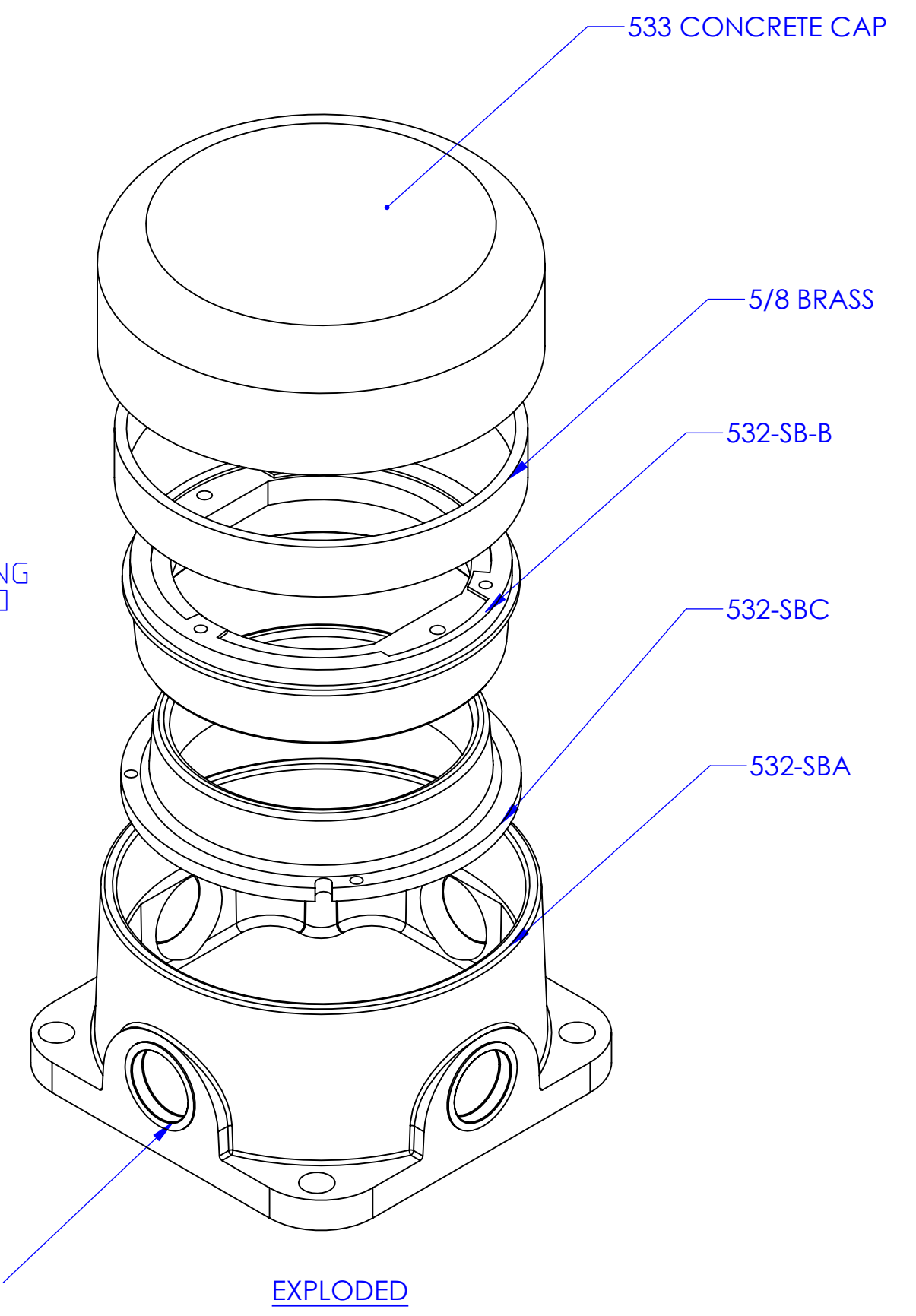
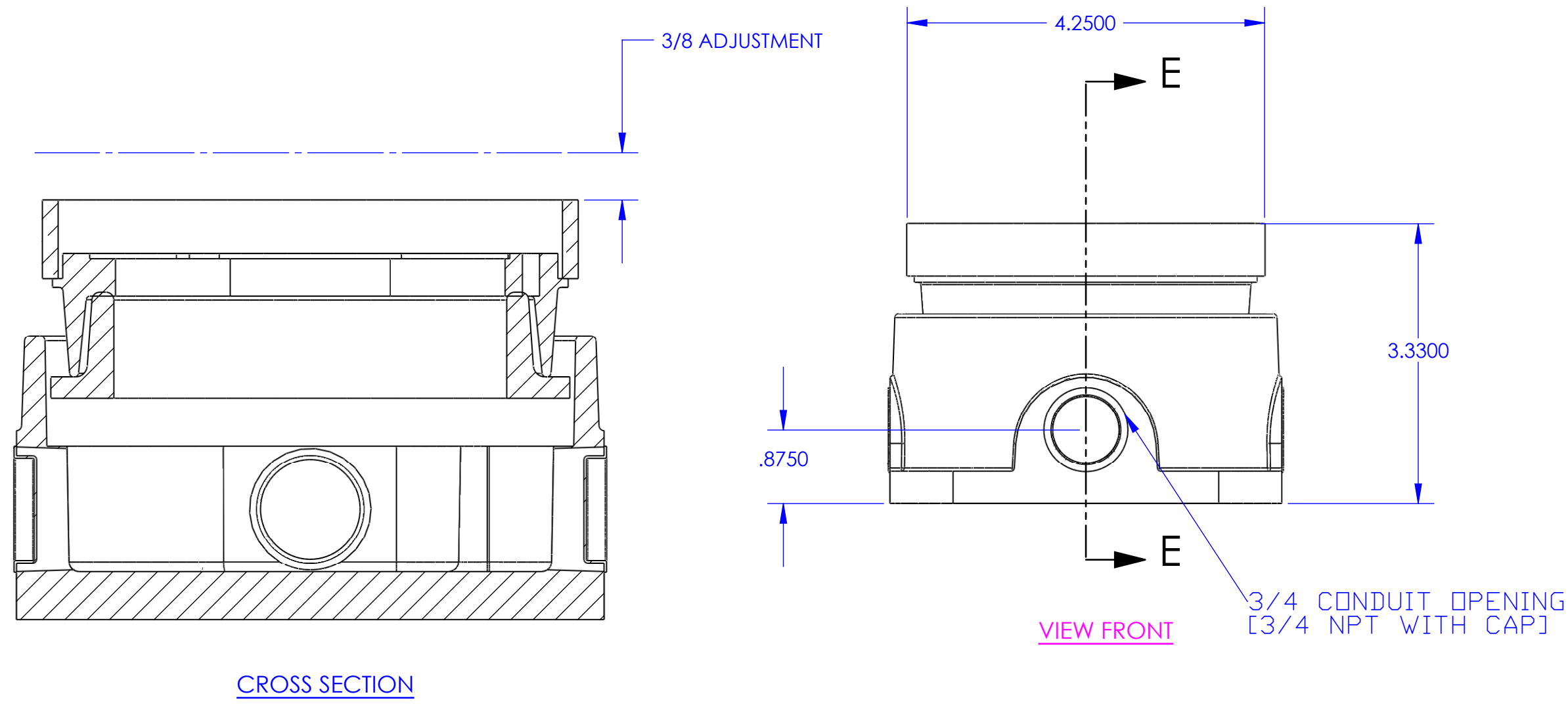
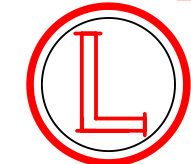


DESCRIPTION:
 BRASS,
 SHALLOW, CAST BOX, FULLY ADJUSTABLE, 42 CU. IN. INTERIOR
 CAPACITY





**LEW ELECTRIC
 FITTINGS COMPANY**
 SERVING THE ELCTRICAL INDUSTRY SINCE 1901

1801 W. St. Charles Rd. Maywood, IL 60153
 PHONE: 708-345-2075

UNLESS OTHERWISE SPECIFIED:		NAME	DATE
DIMENSIONS ARE IN INCHES		DRAWN	11/4/2007
TOLERANCES:			
FRACTIONAL ±			
ANGULAR: MACH ± BEND ±			
TWO PLACE DECIMAL ±			
THREE PLACE DECIMAL ±			
INTERPRET GEOMETRIC TOLERANCING PER:		COMMENTS:	
MATERIAL			
FINISH			
DO NOT SCALE DRAWING			

TITLE:
532-SB-58

SIZE	DWG. NO.	REV
C	1001320	A

WEIGHT: SHEET 3 OF 10