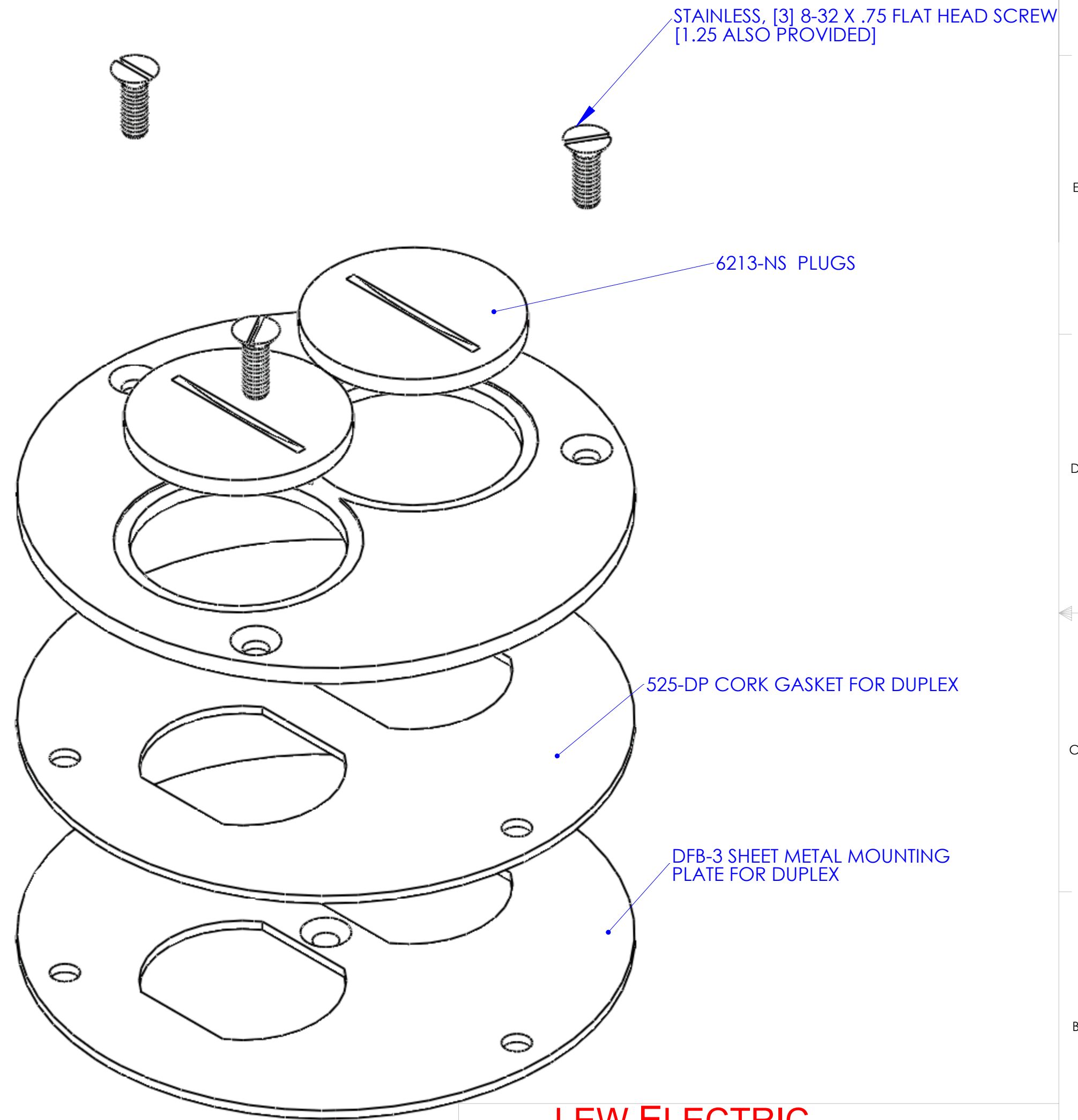
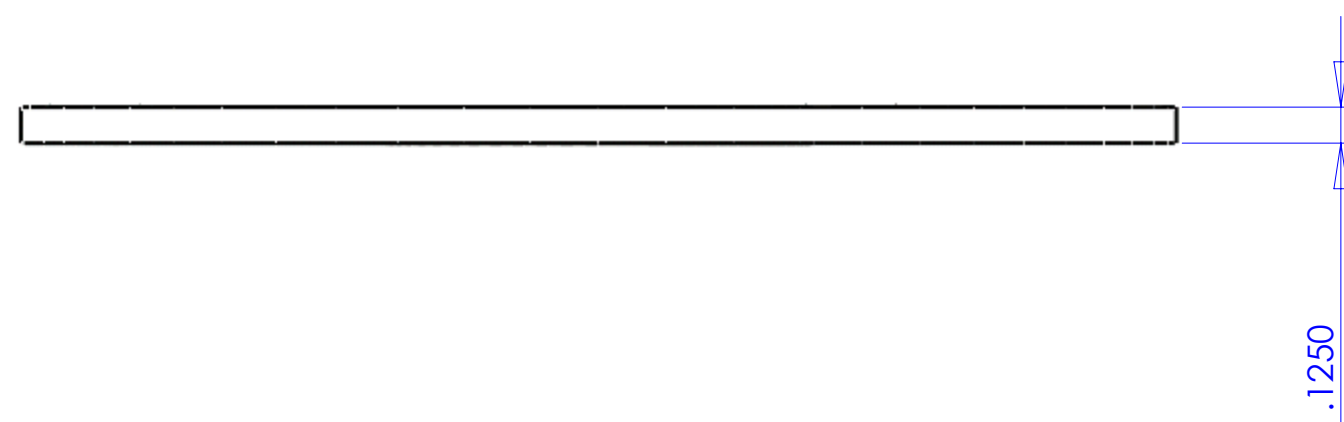
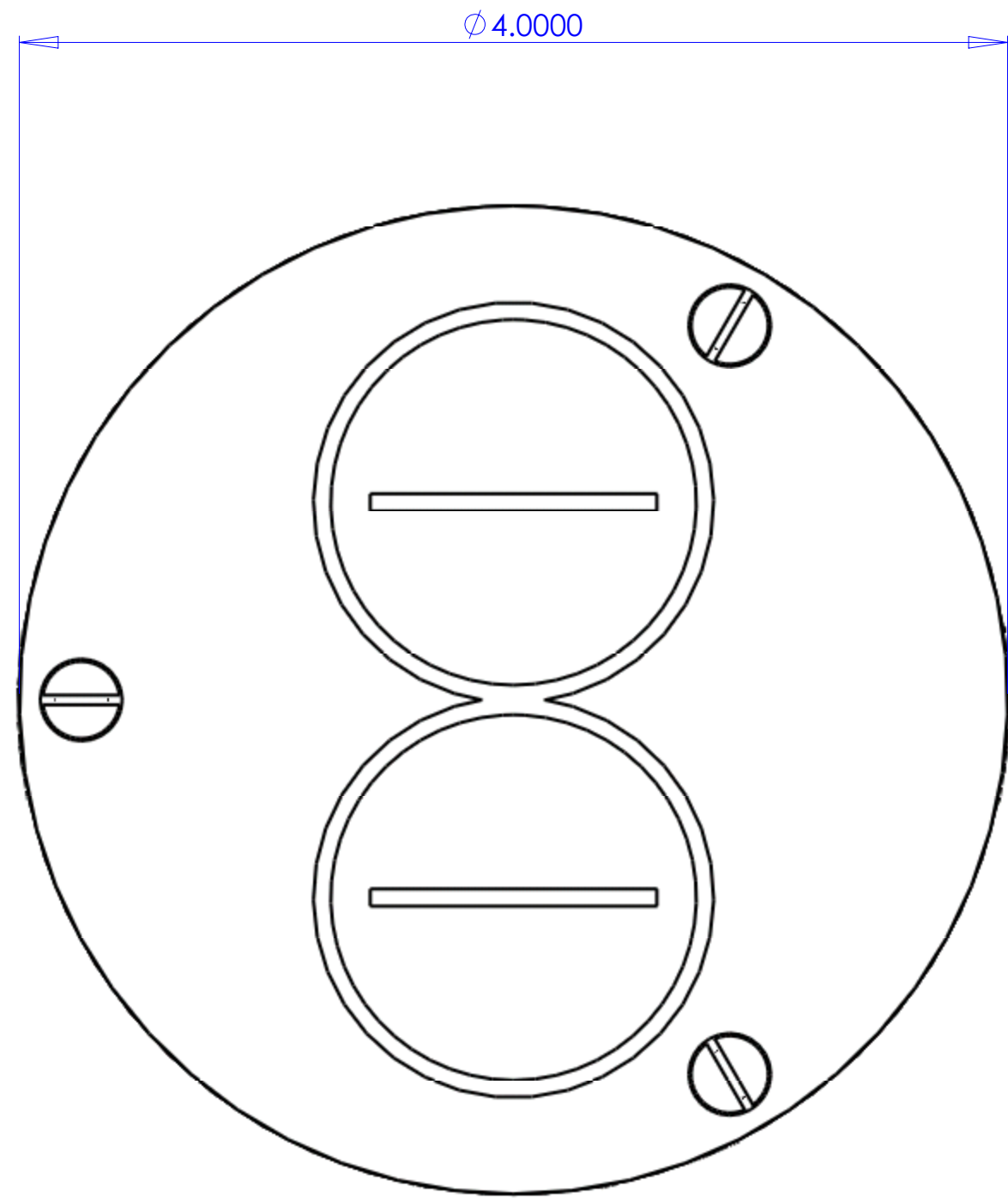



DESCRIPTION:  
 NICKEL SILVER, 4" COVER (1/8" THICK) WITH (2) 1-1/2" SCREW  
 PLUGS FOR DUPLEX





**LEW ELECTRIC  
 FITTINGS COMPANY**  
 SERVING THE ELCTRICAL INDUSTRY SINCE 1901  
 1801 W. St. Charles Rd. Maywood, IL 60153  
 PHONE: 708-345-2075

|   |                 |                       |                  |
|---|-----------------|-----------------------|------------------|
| UNLESS OTHERWISE SPECIFIED:   | NAME            | DATE                  |                  |
| DIMENSIONS ARE IN INCHES<br>FRACTIONAL ±<br>ANGULAR: MATCH ± BEND ±<br>TWO PLACE DECIMAL ±<br>THREE PLACE DECIMAL ± | DRAWN           | P.J.G.                | 9/25/2007        |
| INTERPRET GEOMETRIC<br>TOLERANCING PER:   | COMMENTS:       |                       |                  |
| MATERIAL  |                 |                       |                  |
| FINISH  |                 |                       |                  |
| DO NOT SCALE DRAWING  |                 |                       |                  |
| <b>TITLE:</b>   |                 |                       | <b>523-DP-NS</b> |
| <b>SIZE</b>   | <b>DWG. NO.</b> | <b>REV</b>            |                  |
| <b>C</b>  | 100125          | <b>A</b>              |                  |
| <b>WEIGHT:</b>  |                 | <b>SHEET 11 OF 13</b> |                  |