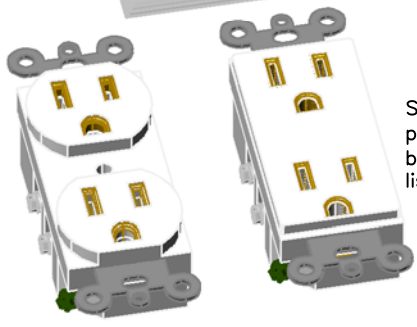
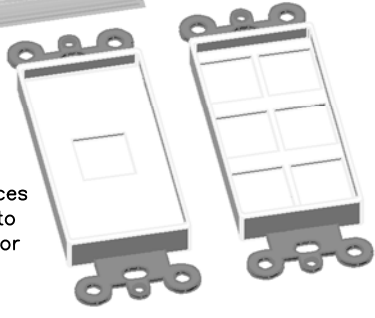


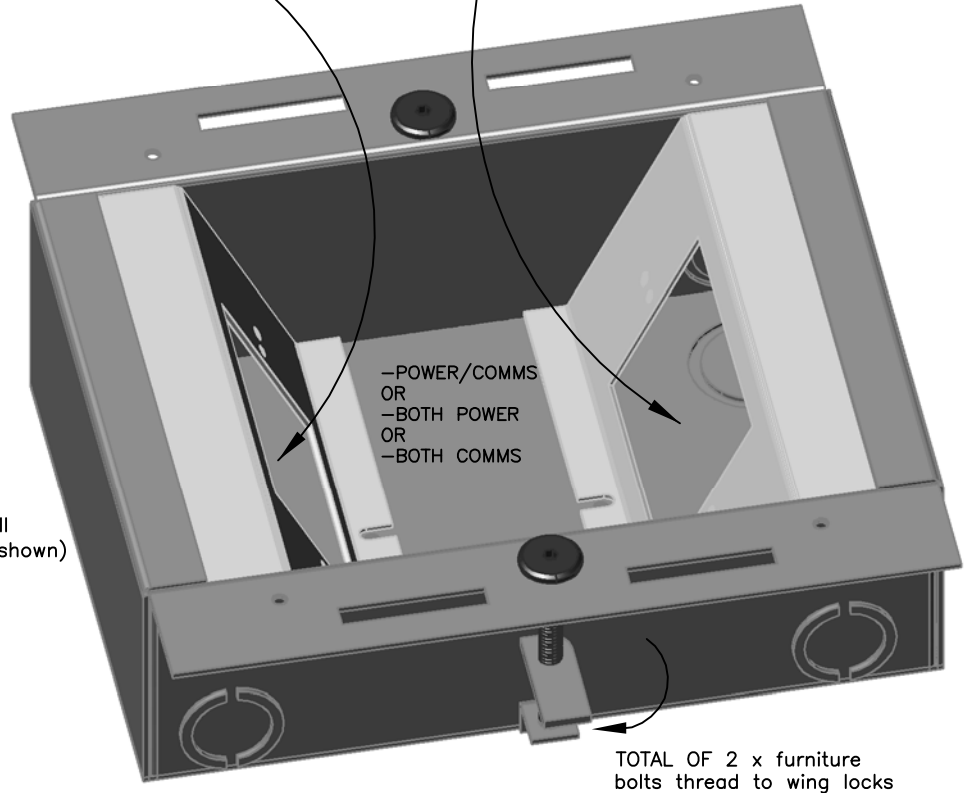
Faceplates – standard or decora style to suit device requirements. Can be removed and installed at anytime to gain access to devices and wiring.



Standard or Decora devices per job spec. Device(s) to be recognized/classified or listed



Available 1 to 6 Keystone style Decora mounting plates. Cat. per job spec.





–POWER/COMMS
OR
–BOTH POWER
OR
–BOTH COMMS

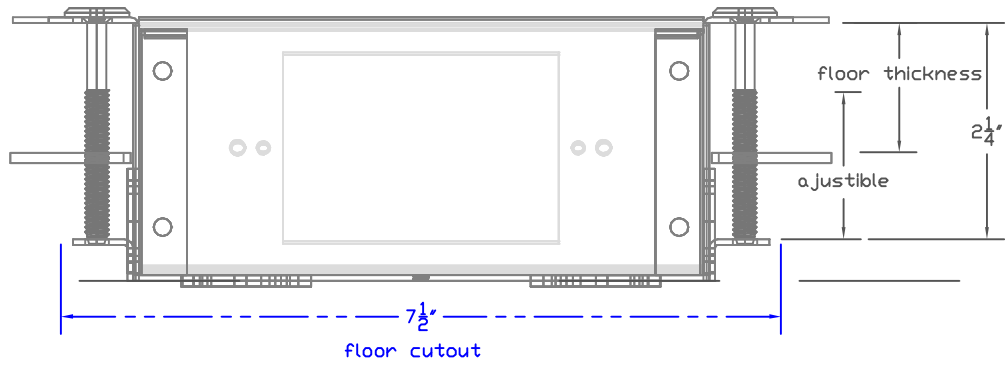
For raised floor application; drop in from above then install COVER Plate (cover plate not shown) Cover per submittal

Back Box 8.5"x6"x2.75"H c/w
–4x1/2"KO's POWER &
–4x1/2"KO's COMMS

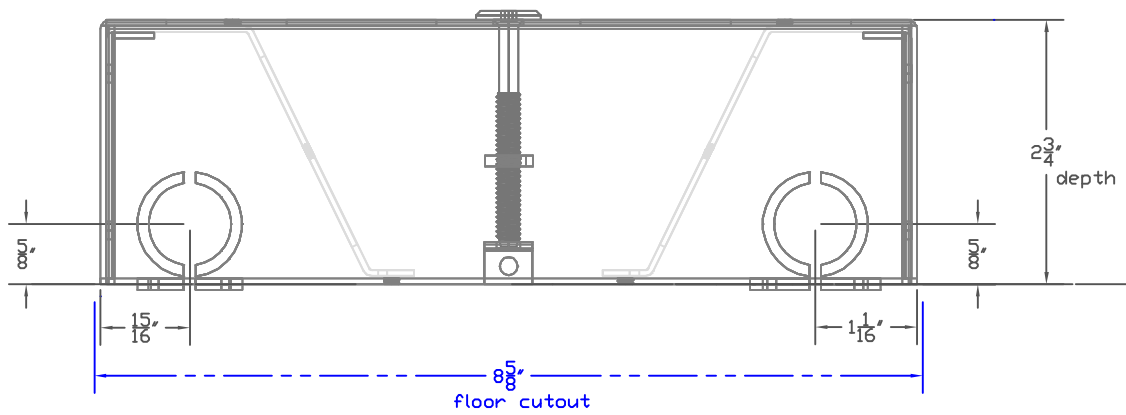
TOTAL OF 2 x furniture bolts thread to wing locks –turn to secure raised floor

PROPRIETARY AND CONFIDENTIAL
THE INFORMATION CONTAINED IN THIS DRAWING IS THE SOLE PROPERTY OF NOCOM. ANY REPRODUCTION IN PART OR AS A WHOLE WITHOUT THE WRITTEN PERMISSION OF NOCOM IS PROHIBITED.



		DIMENSIONS ARE IN MM TOLERANCES: ANGLES: ±1 DEGREE LINEAR: ±0.1 MM (UNLESS SPECIFIED)		NAME	DATE (yy-mm-dd)	2 gang RAISED FLOOR BOX	
		MATERIAL See Variant table		DRAWN	TJP	18-09-07	 by  888-225-2478 www.nocom.ca
		FINISH		CHECKED			
NEXT ASST		USED ON		ENG. APPR.			
APPLICATION		DO NOT SCALE DRAWING		MFG APPR.			
				Q.A.			888-225-2478 www.nocom.ca
				COMMENTS:			SIZE A DWG. NO. cat. # 2100 series OVERVIEW REV.
							SCALE=half WEIGHT: SHEET 1 OF 3



SIDE VIEW (SECTIONAL)



END VIEW (SECTIONAL)

PROPRIETARY AND CONFIDENTIAL THE INFORMATION CONTAINED IN THIS DRAWING IS THE SOLE PROPERTY OF NOCOM. ANY REPRODUCTION IN PART OR AS A WHOLE WITHOUT THE WRITTEN PERMISSION OF NOCOM IS PROHIBITED.				DIMENSIONS ARE IN MM TOLERANCES: ANGLES: ± 1 DEGREE LINEAR: ± 0.1 MM (UNLESS SPECIFIED)		NAME TJP	DATE (yy-mm-dd) 18-09-07	2 gang RAISED FLOOR BOX		
				MATERIAL See Variant table		CHECKED		 by 		
				FINISH		ENG. APPR.				888-225-2478 www.nocom.ca
		NEXT ASST	USED ON			MFG APPR.		SCALE=half	WEIGHT:	SHEET 2 OF 3
		APPLICATION		DO NOT SCALE DRAWING		Q.A.		SIZE A	DWG. NO. cat. # 2100 series	SECTIONS
				COMMENTS:						

