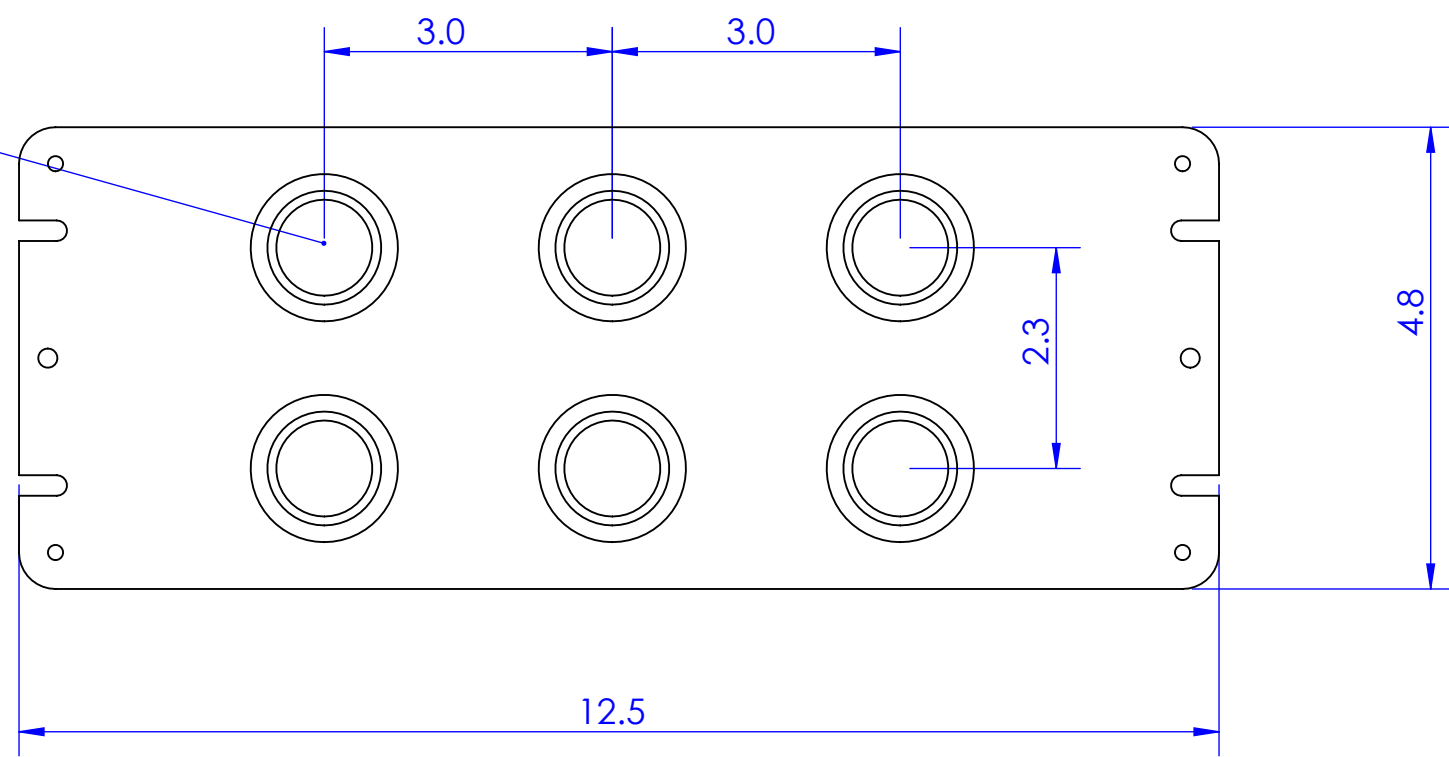
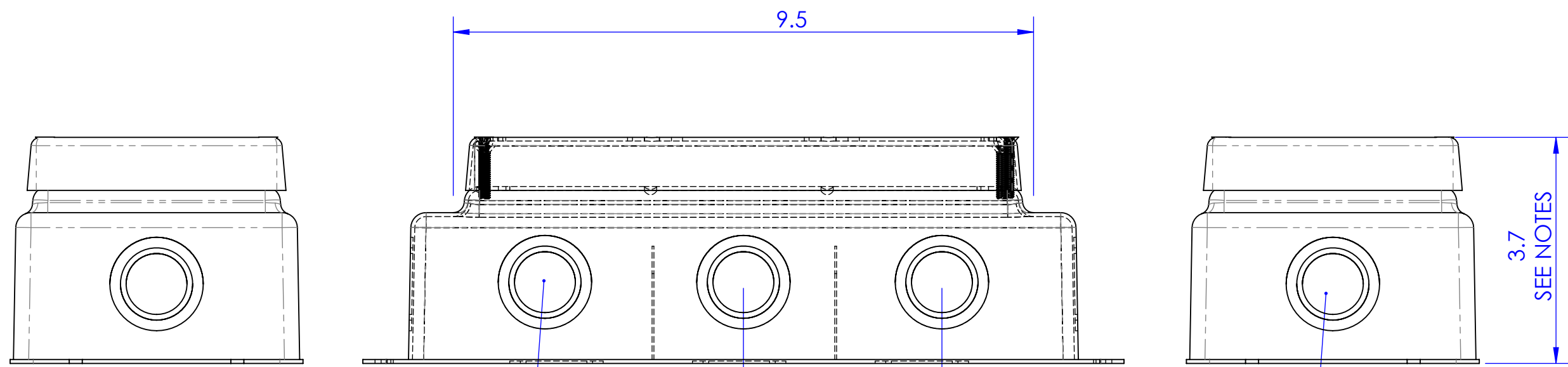


3/4", 1", 1 1/4", INCH KNOCK OUT (TYP)



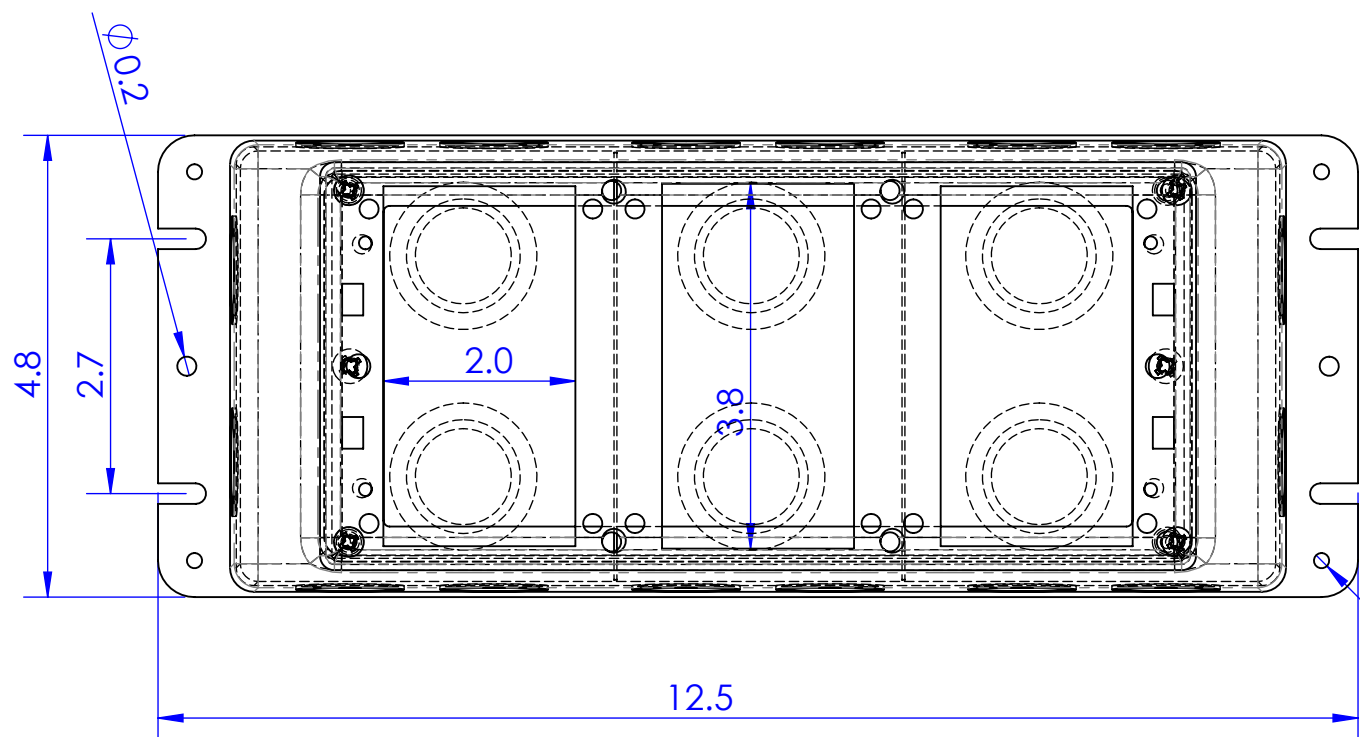
DESCRIPTION:  
 Three gang, deep stamped steel floor box, 3 3/8" H x 11 1/16" L x 4 11/16" W; 38.3 Cu. In. per gang

All boxes UL listed #514A  
 Tile frames not included with stamped steel floor box.  
 All tile frames 5/8" overall height  
 All boxes pre-pour adjustment of 2 1/4" and after pour adjustment 1/2"

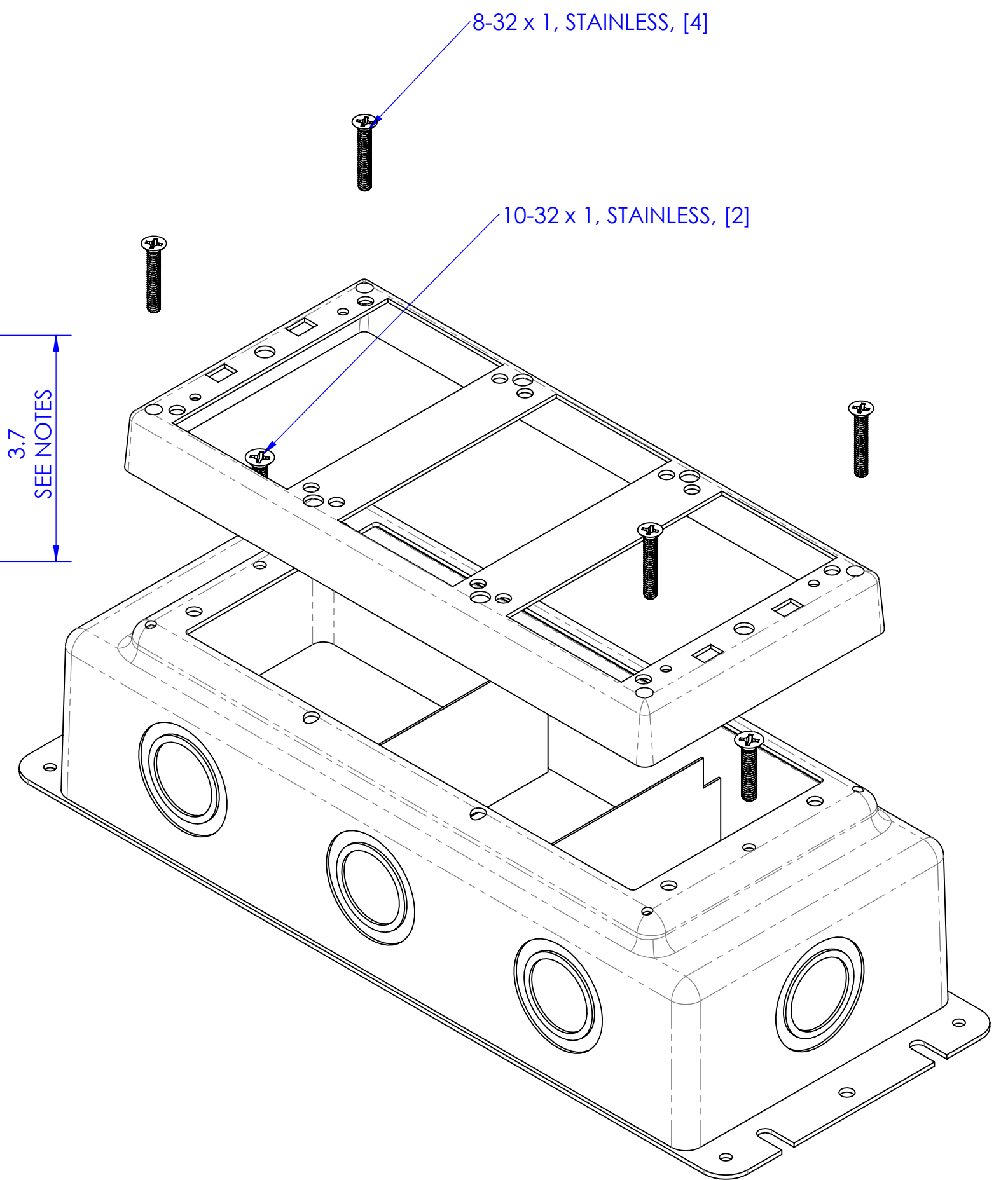


3/4", 1", 1 1/4", INCH KNOCK OUT (TYP)

3/4", 1", 1 1/4", INCH KNOCK OUT (TYP)



4X Ø .2 THRU ALL  
 10-32 UNF THRU ALL



**LEW ELECTRIC**  
**FITTINGS COMPANY**  
 SERVING THE ELCTRICAL INDUSTRY SINCE 1901  
 1801 W. St. Charles Rd. Maywood, IL 60153  
 PHONE: 708-345-2075

UNLESS OTHERWISE SPECIFIED:	NAME	DATE	TITLE:
DIMENSIONS ARE IN INCHES	DRAWN	7/23/2012	
TOLERANCES:			
FRACTIONAL: ±			
ANGULAR: MATCH ± BEND ±			
TWO PLACE DECIMAL ±			
THREE PLACE DECIMAL ±			
INTERPRET GEOMETRIC TOLERANCING PER:	COMMENTS:		SIZE DWG. NO. REV
MATERIAL			C -
FINISH			WEIGHT: SHEET 6 OF 6
DO NOT SCALE DRAWING			