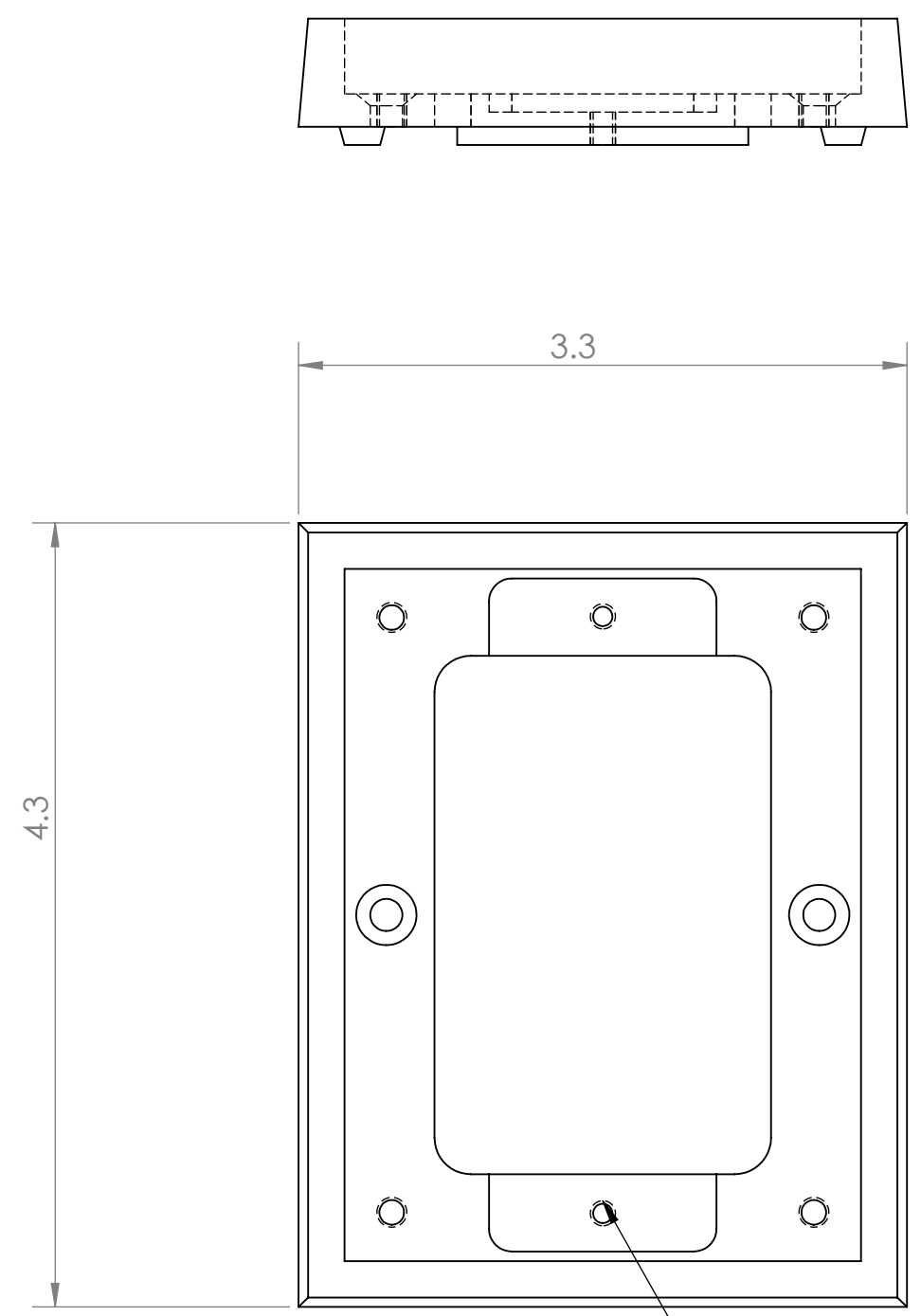
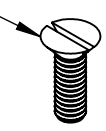
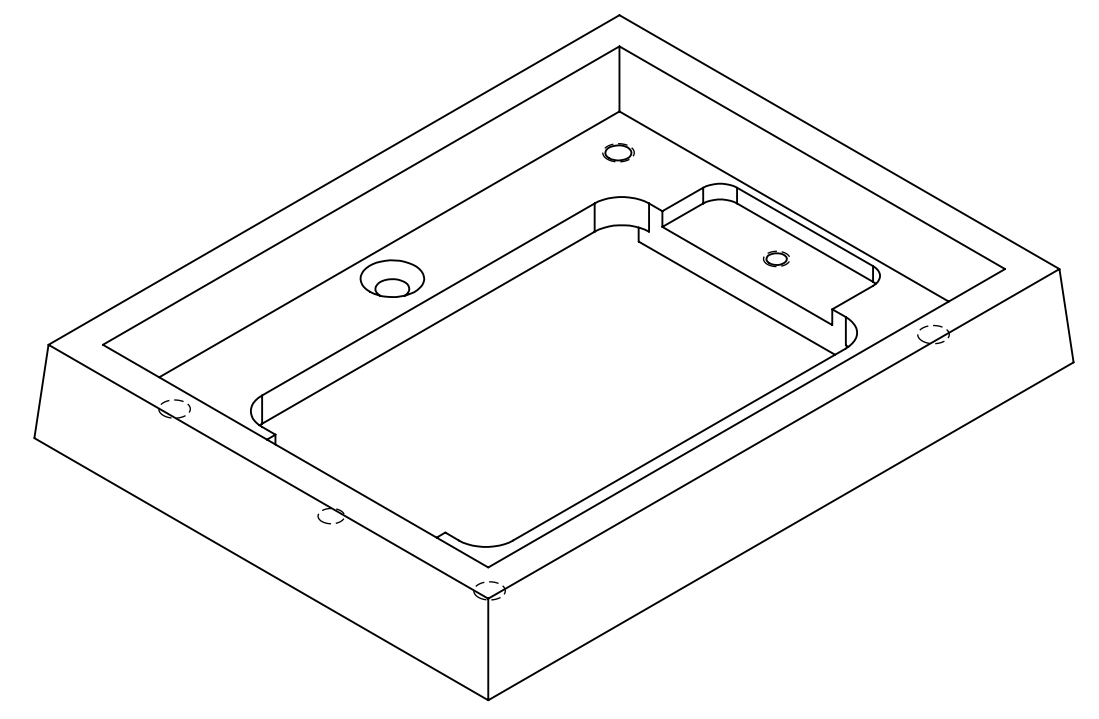
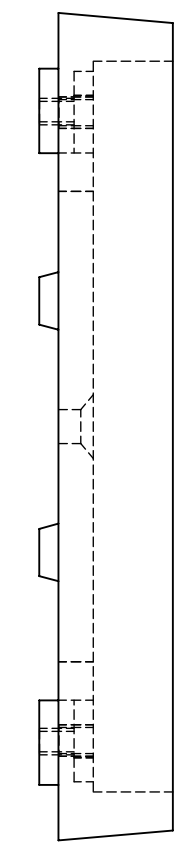


DESCRIPTION:
One gang, brass tile frame 4 5/16" L x 3 11/32" W

8-32 X .75 Brass Screw



#6-32 Tapped Hole



LEW ELECTRIC
FITTINGS COMPANY
SERVING THE ELECTRICAL INDUSTRY SINCE 1901
1801 W. St. Charles Rd. Maywood, IL 60153
PHONE: 708-345-2075

UNLESS OTHERWISE SPECIFIED:	NAME	DATE	TITLE:
DIMENSIONS ARE IN INCHES	DRAWN	P.J.G.	
TOLERANCES:			
FRACTIONAL ±			
ANGULAR: MATCH ± BEND ±			
TWO PLACE DECIMAL ±			
THREE PLACE DECIMAL ±			
INTERPRET GEOMETRIC TOLERANCING PER:	COMMENTS:		
MATERIAL			
FINISH			
DO NOT SCALE DRAWING			
	SIZE	DWG. NO.	REV
	C		-
	WEIGHT:	SHEET 12 OF 12	