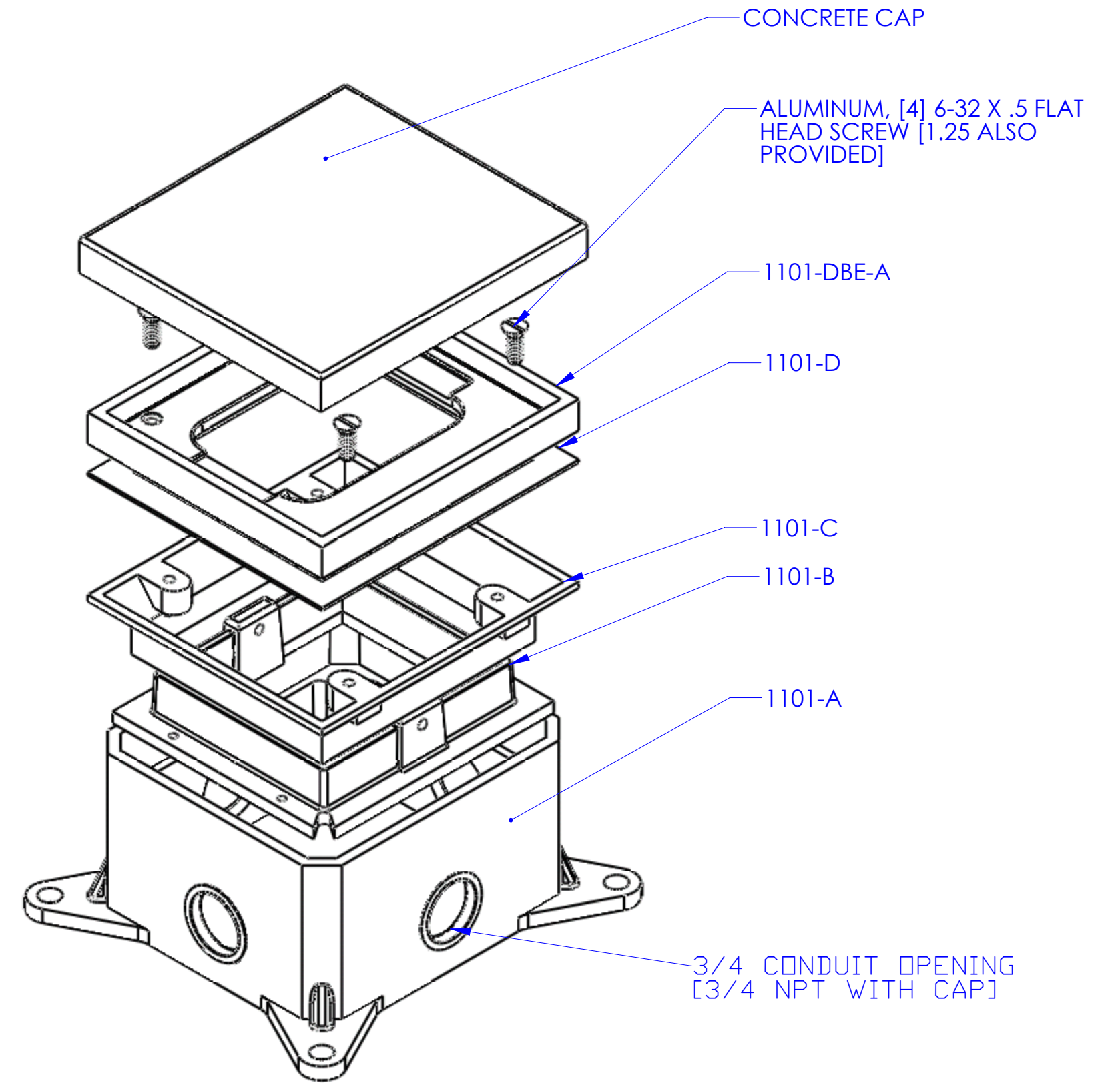
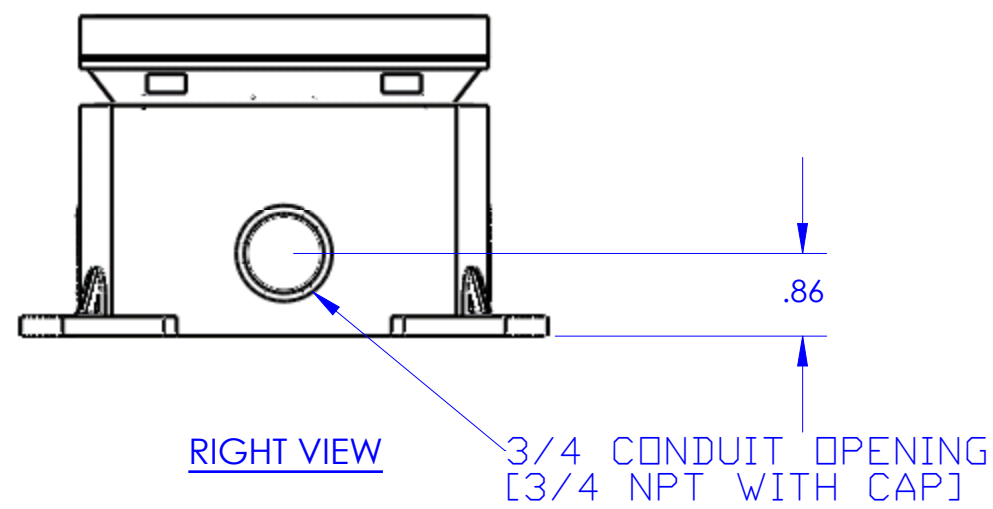
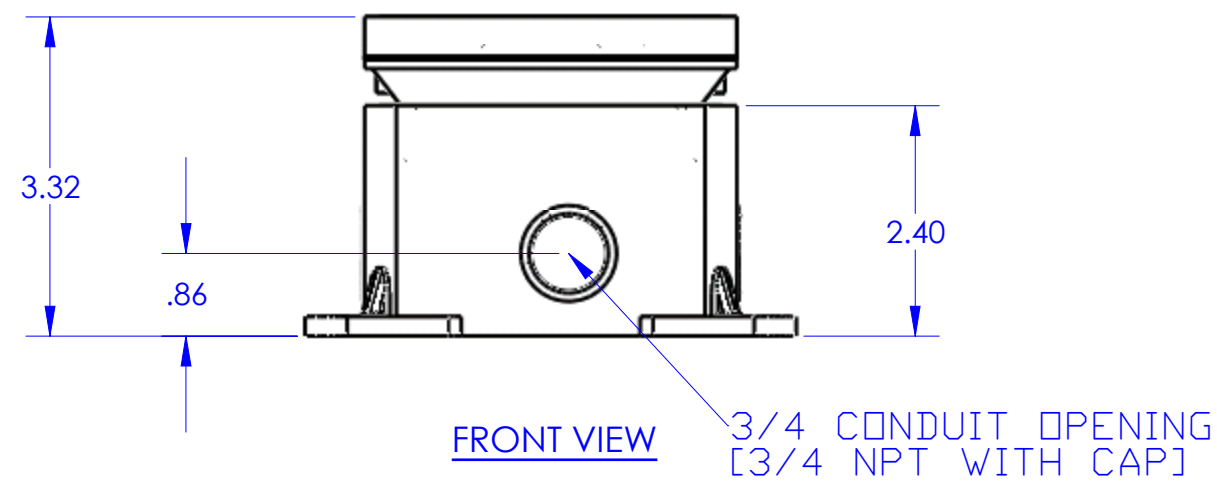
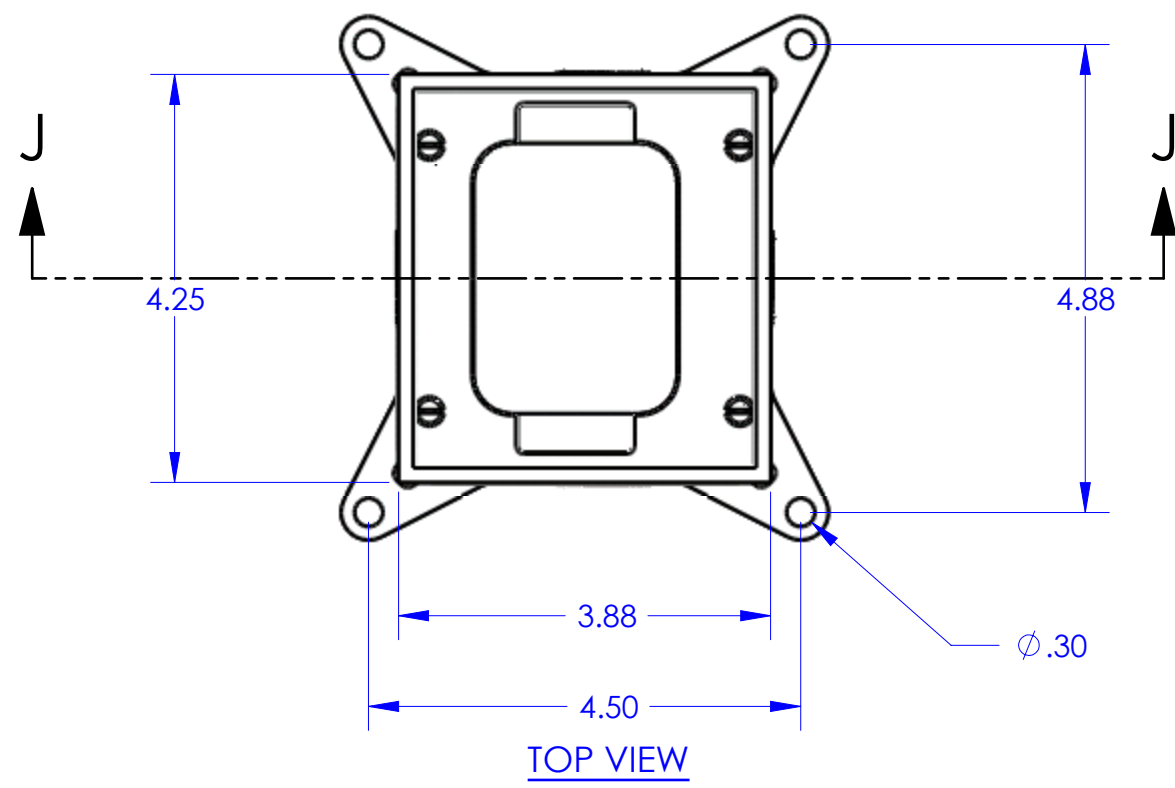
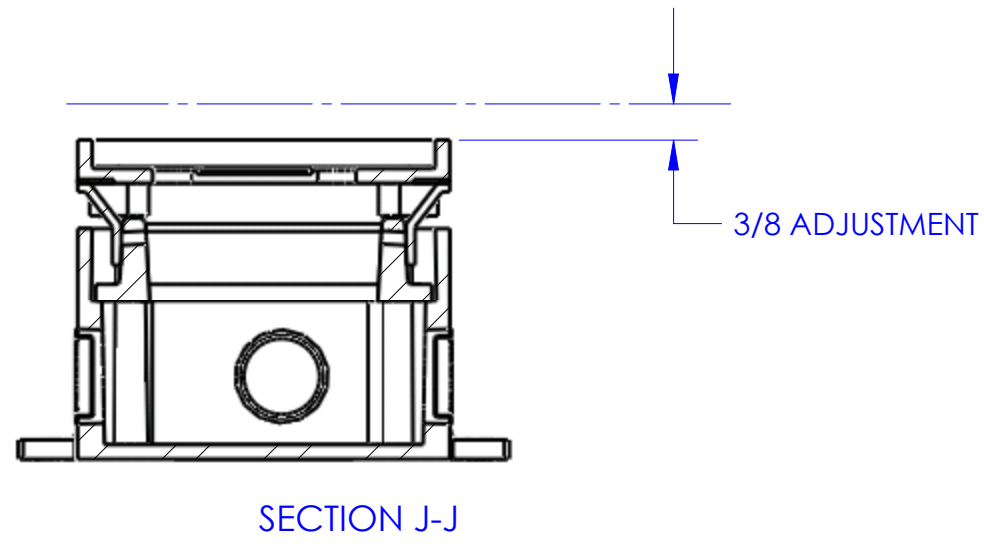
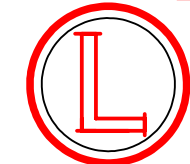


DESCRIPTION:
ALUMINUM, DEEP, SINGLE GANG CAST BOX-FULLY
ADJUSTABLE





**LEW ELECTRIC
FITTINGS COMPANY**
SERVING THE ELCTRICAL INDUSTRY SINCE 1901

1801 W. St. Charles Rd. Maywood, IL 60153
PHONE: 708-345-2075

UNLESS OTHERWISE SPECIFIED:		NAME	DATE	TITLE: 1101-58-A
DIMENSIONS ARE IN INCHES		DRAWN	PJG 8/30/2007	
TOLERANCES:				
FRACTIONAL: ± ANGULAR: MACH ± BEND ± TWO PLACE DECIMAL ± THREE PLACE DECIMAL ±				
INTERPRET GEOMETRIC TOLERANCING PER:		COMMENTS:		SIZE DWG. NO. REV A 1001390 A
MATERIAL:				
FINISH:				
DO NOT SCALE DRAWING				WEIGHT: SHEET 5 OF 12