

HEARN ENGINEERING, LLC.

HMI Adapter Plates (www.HMIAdapterPlate.com)



Panel Meter Adapter Plates

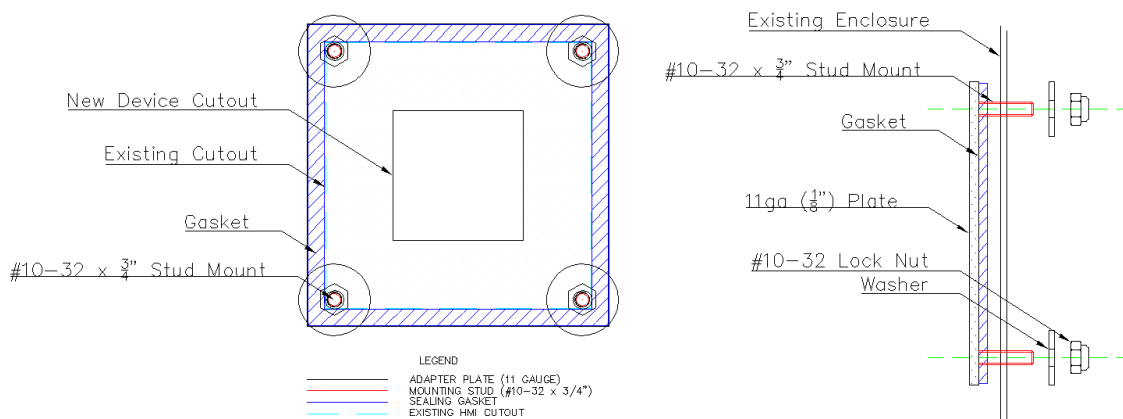
Migration of Panel Meters

This manual is for standard DIN panel meter adapter and cover plates. These plates serve to reuse your existing enclosure while migrating to a smaller panel meter cutout or covering up an existing cutout. The plates provide both a rigid and weather resistant installation in addition to a professional appearance.

We provide custom adapter plates for both panel meters and HMIs. If you have a custom application you can use our Plate Builder Tool or contact us by email.

Adapter Plate Construction

The plates are heavy duty 11ga steel with welded studs. The plates fit inside the existing cutout and are secured with washers and lock nuts. A neoprene gasket provides a seal to the existing enclosure.



Part Number Guide

AP 1049 – 1048 – IN – ST – DG – GK

Plate Type
AP = Adapter Plate.
CP = Cover Plate

Exist Cutout SizeCode
Existing Device SizeCode
From Lookup Table

New Cutout SizeCode
New Device SizeCode
from Lookup Table
0000 For Cover Plate

Mount
IN = Inside Cutout & Washers

Material
ST = 11ga Steel
SS = 11ga 304 Stainless Steel
16 = 11ga 316 Stainless Steel

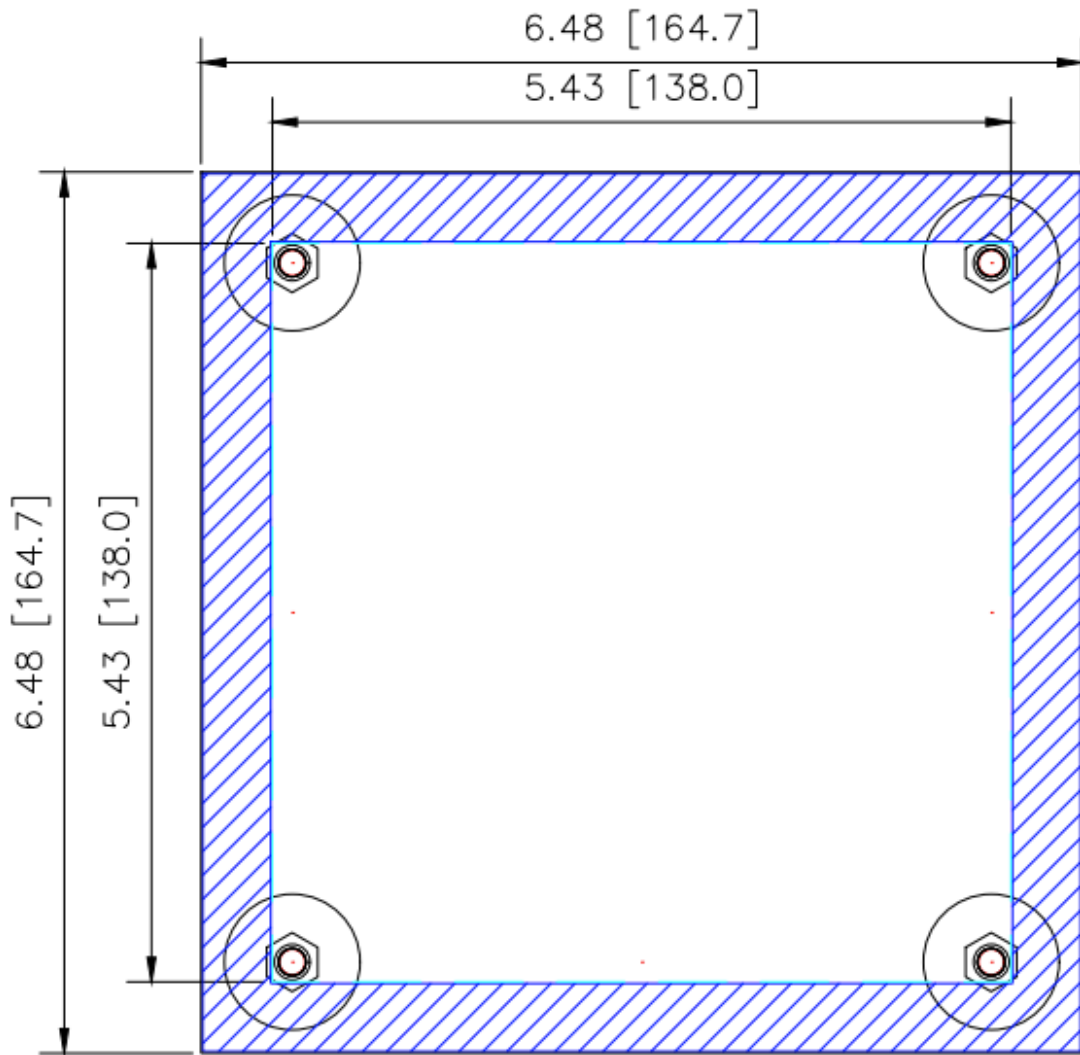
Coating
00 = Bare Metal
DG = Dark Machine Gray

Gasket
00 = No Gasket
GK = Neoprene Gasket

SizeCode Lookup Table		
<u>SizeCode</u>	<u>Manufacturer</u>	<u>Size</u>
1053	Standard DIN Sizes	1/2 DIN
1049	Standard DIN Sizes	1/4 DIN
1048	Standard DIN Sizes	1/8 DIN Vertical
1057	Standard DIN Sizes	1/8 DIN Horizontal
1047	Standard DIN Sizes	1/16 DIN
1046	Standard DIN Sizes	1/32 DIN
1064	Red Lion / Autonics	CUB / TC4Y
1065	Autonics	TC4M
1054	Barber-Colmar	521/522/523/524
1069	Omega	400 Series





Panel Meter Part Numbers

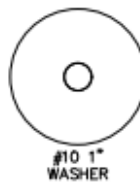
<u>Part Number</u>	<u>Steel</u>	<u>304SS</u>	<u>304SS</u>	<u>Description</u>
CP1053-0000-IN	-ST-DG-GK	-SS-00-GK	-16-00-GK	Cover Plate - 1/2 DIN
AP1053-1049-IN	-ST-DG-GK	-SS-00-GK	-16-00-GK	Adapter Plate - 1/2 DIN to 1/4 DIN
AP1053-1048-IN	-ST-DG-GK	-SS-00-GK	-16-00-GK	Adapter Plate - 1/2 DIN to 1/8 DIN
AP1053-1047-IN	-ST-DG-GK	-SS-00-GK	-16-00-GK	Adapter Plate - 1/2 DIN to 1/16 DIN
AP1053-1046-IN	-ST-DG-GK	-SS-00-GK	-16-00-GK	Adapter Plate - 1/2 DIN to 1/32 DIN
CP1049-0000-IN	-ST-DG-GK	-SS-00-GK	-16-00-GK	Cover Plate - 1/4 DIN
AP1049-1048-IN	-ST-DG-GK	-SS-00-GK	-16-00-GK	Adapter Plate - 1/4 DIN to 1/8 DIN
AP1049-1047-IN	-ST-DG-GK	-SS-00-GK	-16-00-GK	Adapter Plate - 1/4 DIN to 1/16 DIN
AP1049-1046-IN	-ST-DG-GK	-SS-00-GK	-16-00-GK	Adapter Plate - 1/4 DIN to 1/32 DIN
CP1048-0000-IN	-ST-DG-GK	-SS-00-GK	-16-00-GK	Cover Plate - 1/8 DIN
AP1048-1047-IN	-ST-DG-GK	-SS-00-GK	-16-00-GK	Adapter Plate - 1/8 DIN to 1/16 DIN
AP1057-1046-IN	-ST-DG-GK	-SS-00-GK	-16-00-GK	Adapter Plate - 1/8 DIN to 1/32 DIN (Horz. to Horz)
AP1048-1046-IN	-ST-DG-GK	-SS-00-GK	-16-00-GK	Adapter Plate - 1/8 DIN to 1/32 DIN (Vert. to Horz.)
CP1047-0000-IN	-ST-DG-GK	-SS-00-GK	-16-00-GK	Cover Plate - 1/16 DIN
AP1047-1046-IN	-ST-DG-GK	-SS-00-GK	-16-00-GK	Adapter Plate - 1/16 DIN to 1/32 DIN
CP1046-0000-IN	-ST-DG-GK	-SS-00-GK	-16-00-GK	Cover Plate - 1/32 DIN
CP1054-0000-IN	-ST-DG-GK	-SS-00-GK	-16-00-GK	Cover Plate - Barber-Colman 521/522/523/524
AP1054-1048-IN	-ST-DG-GK	-SS-00-GK	-16-00-GK	Adapter Plate - Barber-Colman 521/522/523/524 to 1/8 DIN
AP1054-1047-IN	-ST-DG-GK	-SS-00-GK	-16-00-GK	Adapter Plate - Barber-Colman 521/522/523/524 to 1/16 DIN
CP1065-0000-IN	-ST-DG-GK	-SS-00-GK	-16-00-GK	Cover Plate - Autonics TC4M 72x72
CP1064-0000-IN	-ST-DG-GK	-SS-00-GK	-16-00-GK	Cover Plate - Red Lion Cub & Autonics TC4Y 72x36
CP1069-0000-IN	-ST-DG-GK	-SS-00-GK	-16-00-GK	Cover Plate - Omega 400 Series
AP1069-1057-IN	-ST-DG-GK	-SS-00-GK	-16-00-GK	Adapter Plate - Omega 400 Series to 1/8 DIN

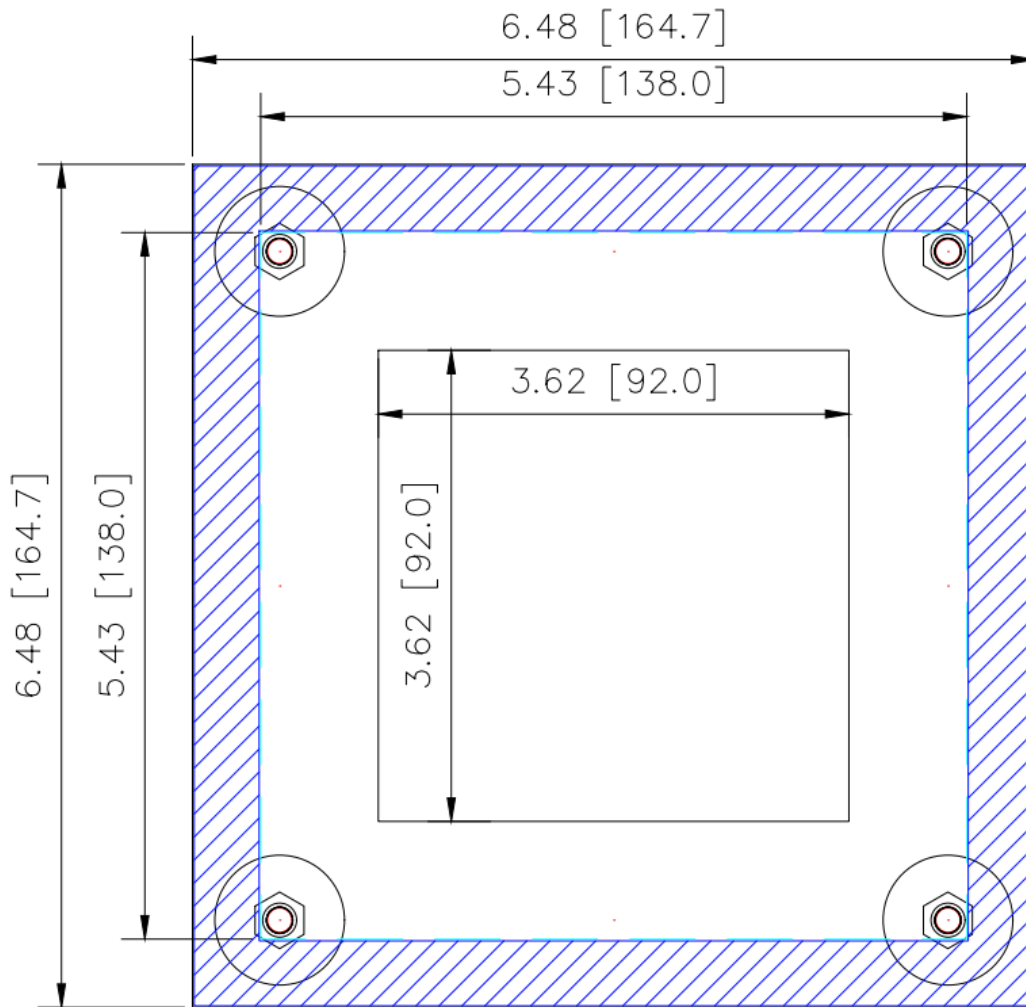


CP1053-0000-IN
1/2 DIN Cover Plate

LEGEND





-  ADAPTER PLATE (11 GAUGE)
-  MOUNTING STUD (10-32x3/4")
-  SEALING GASKET
-  EXISTING HMI CUTOUT

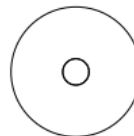




AP1053-1049-IN
 1/2 DIN TO 1/4 DIN Adapter Plate

LEGEND

-  ADAPTER PLATE (11 GAUGE)
-  MOUNTING STUD (10-32x3/4")
-  SEALING GASKET
-  EXISTING HMI CUTOUT



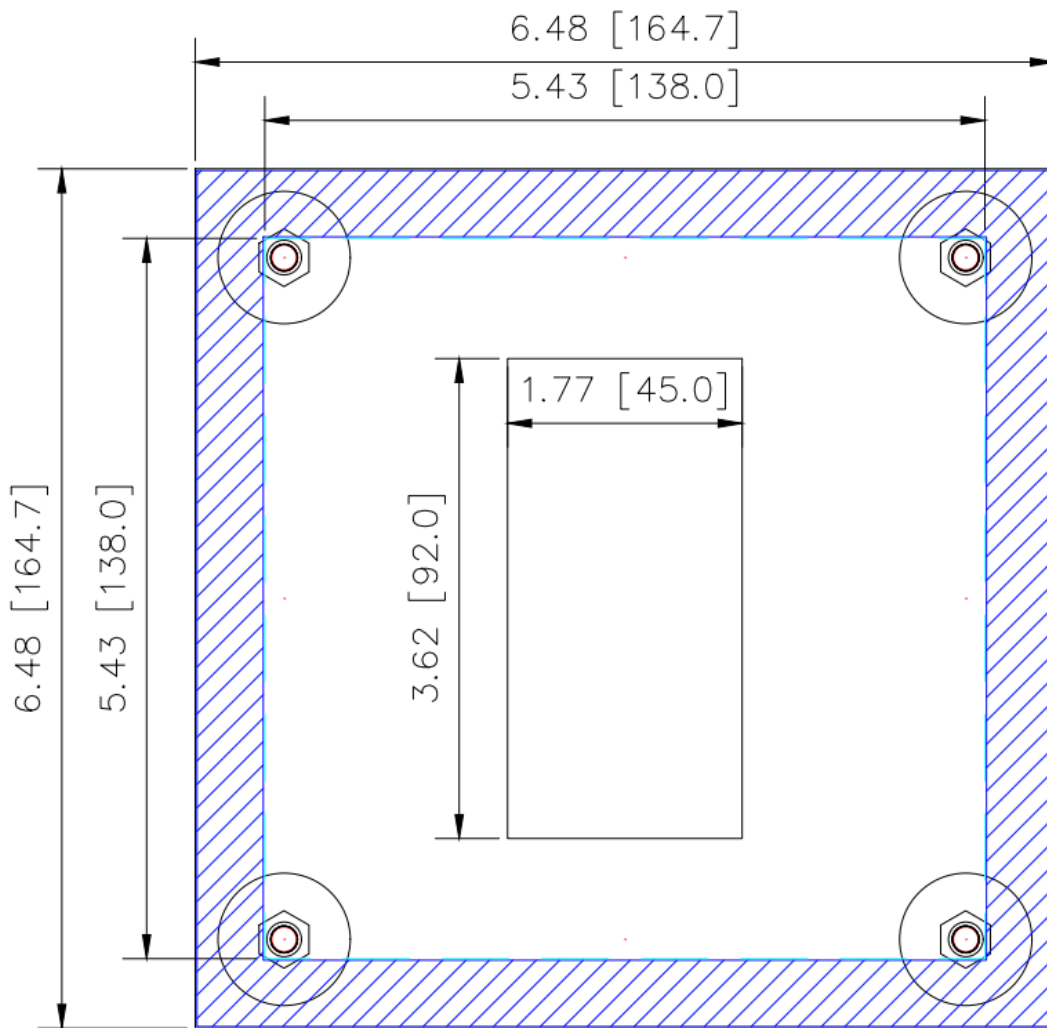
#10 1"
 WASHER



#10 NYLON
 LOCK NUT







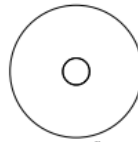
#10 X 3/4"
 WELD STUD



AP1053-1048-IN
1/2 DIN TO 1/8 DIN Adapter Plate

LEGEND

-  ADAPTER PLATE (11 GAUGE)
-  MOUNTING STUD (10-32x3/4")
-  SEALING GASKET
-  EXISTING HMI CUTOUT



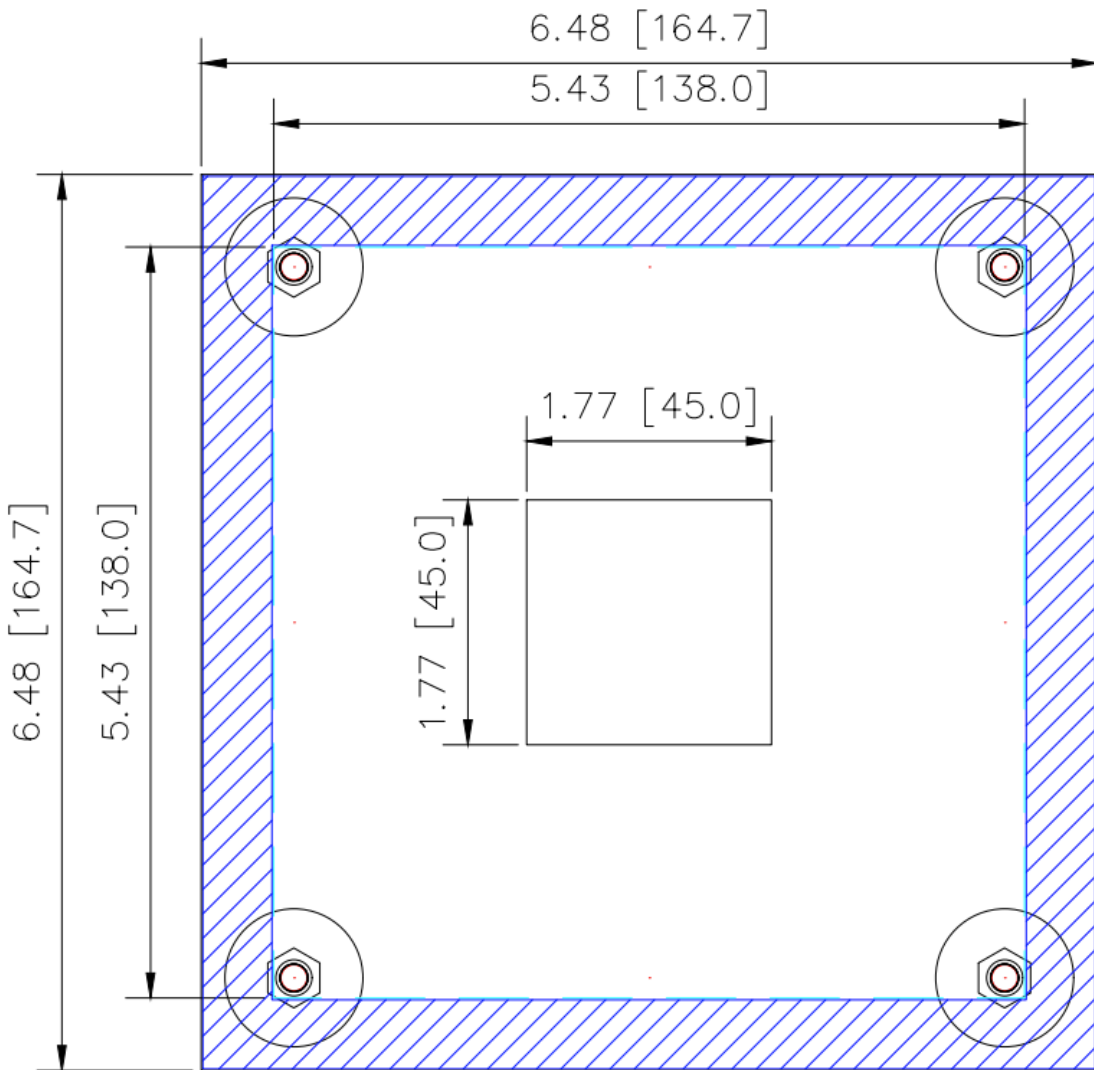
#10 1"
WASHER



#10 NYLON
LOCK NUT







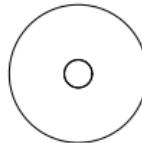
#10 X 3/4"
WELD STUD



AP1053-1047-IN
1/2 DIN TO 1/16 DIN Adapter Plate

LEGEND

-  ADAPTER PLATE (11 GAUGE)
-  MOUNTING STUD (10-32x3/4")
-  SEALING GASKET
-  EXISTING HMI CUTOUT



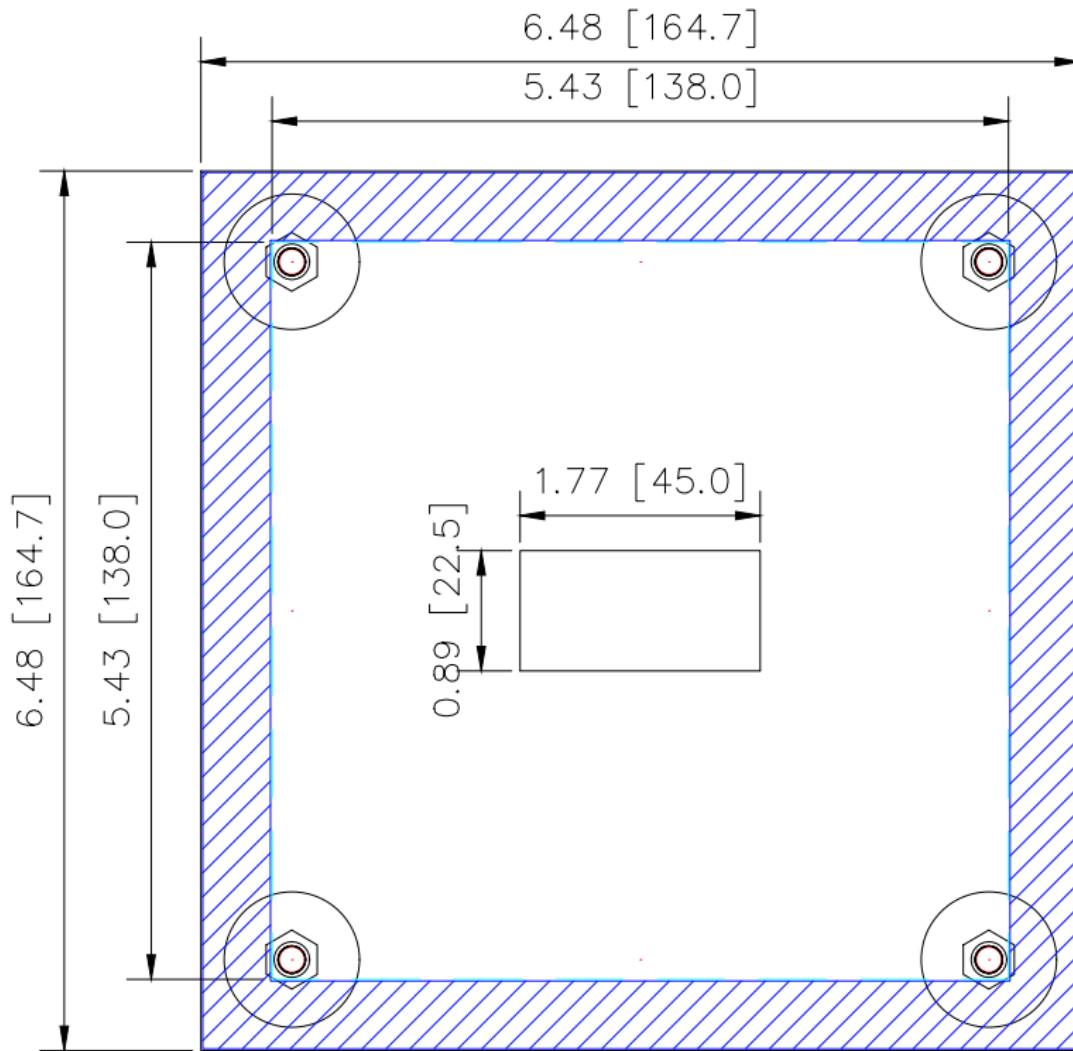
#10 1"
WASHER



#10 NYLON
LOCK NUT







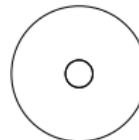
#10 X 3/4"
WELD STUD



AP1053-1046-IN
1/2 DIN TO 1/32 DIN Adapter Plate

LEGEND

-  ADAPTER PLATE (11 GAUGE)
-  MOUNTING STUD (10-32x3/4")
-  SEALING GASKET
-  EXISTING HMI CUTOUT



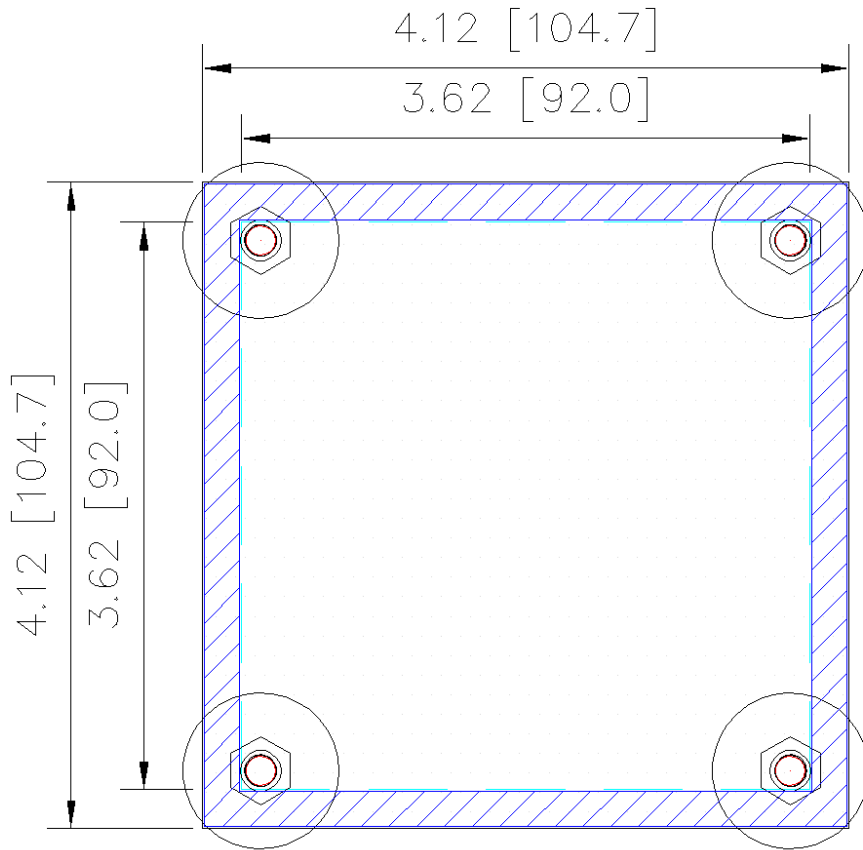
#10 1"
WASHER



#10 NYLON
LOCK NUT

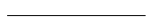





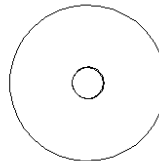
#10 X 3/4"
WELD STUD



CP1049-0000-IN
1/4 DIN Cover Plate

LEGEND

-  ADAPTER PLATE (11 GAUGE)
-  MOUNTING STUD (10-32x3/4")
-  SEALING GASKET
-  EXISTING HMI CUTOUT



#10 1"
WASHER



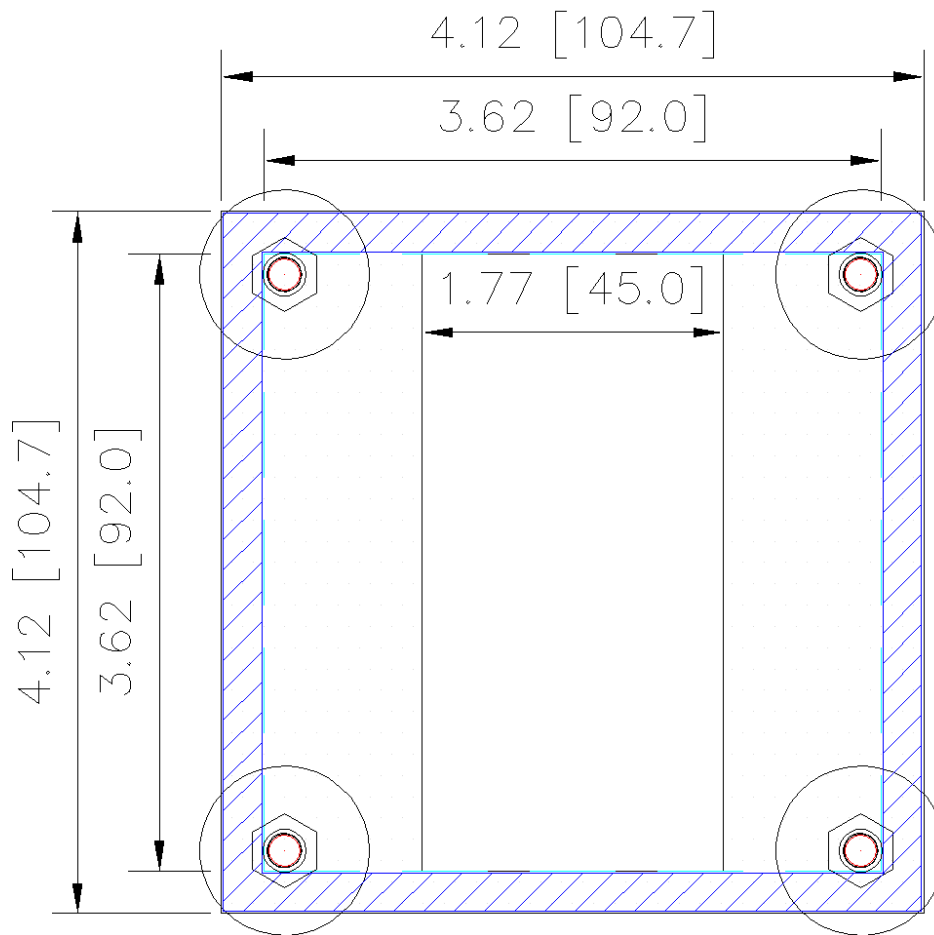
#10 1/2"
WASHER



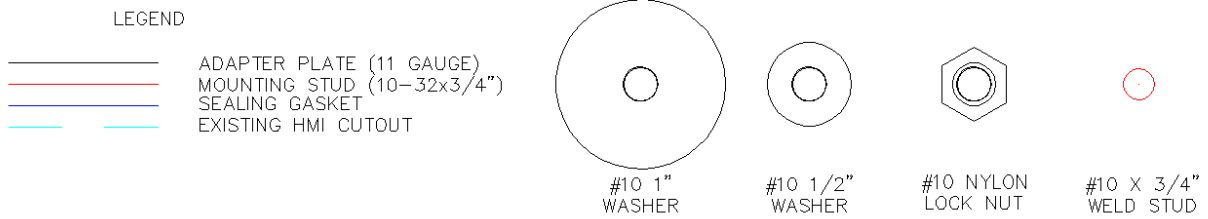
#10 NYLON
LOCK NUT

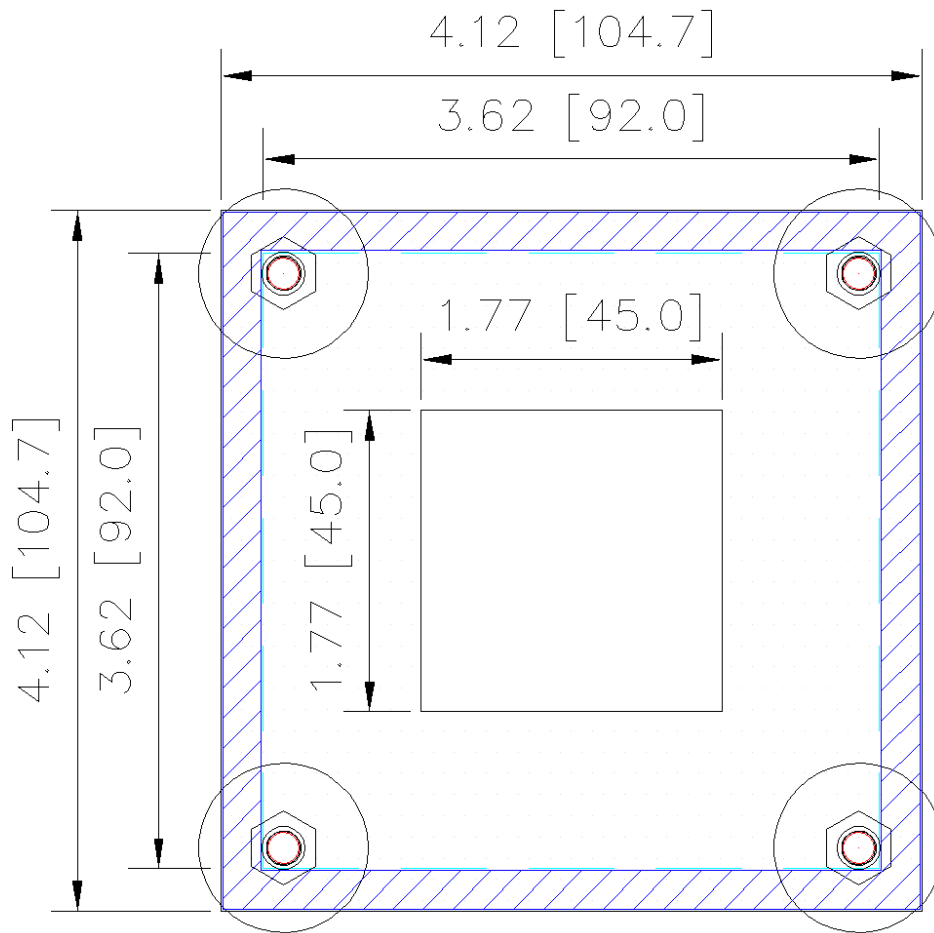


#10 X 3/4"
WELD STUD







AP1049-1048-IN
1/4 TO 1/8 DIN Adapter Plate

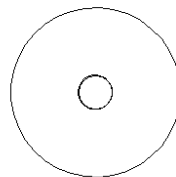




AP1049-1047-IN
1/4 TO 1/16 DIN Adapter Plate

LEGEND

-  ADAPTER PLATE (11 GAUGE)
-  MOUNTING STUD (10-32x3/4")
-  SEALING GASKET
-  EXISTING HMI CUTOUT



#10 1"
WASHER



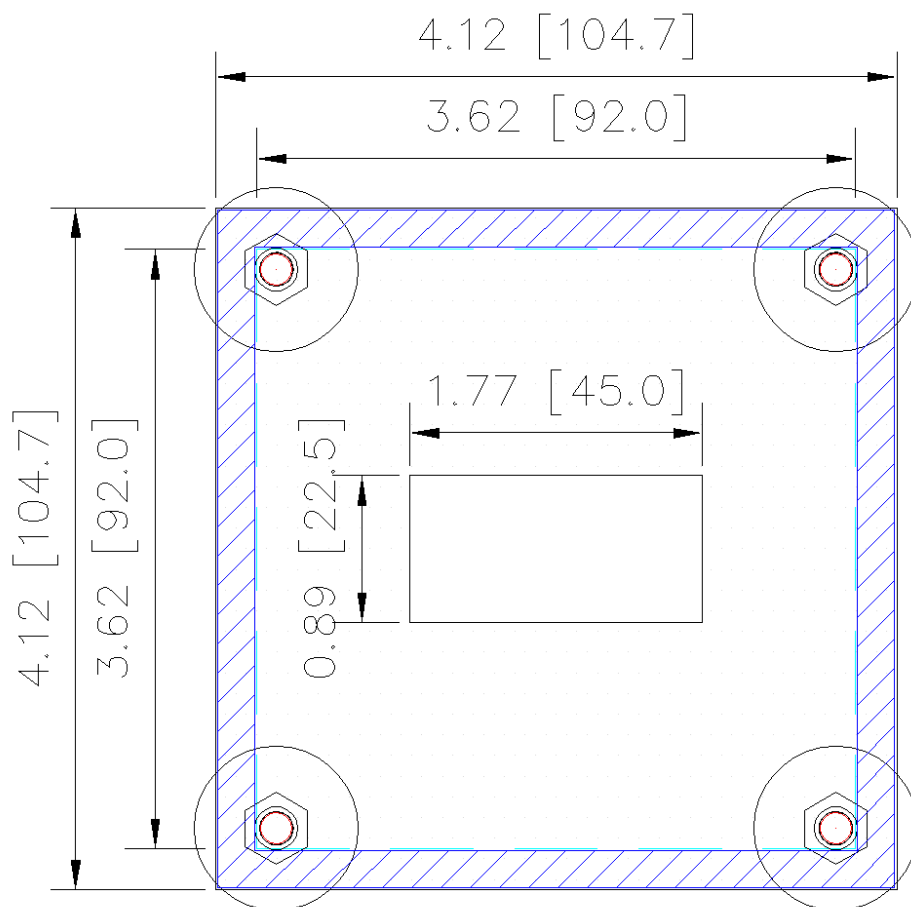
#10 1/2"
WASHER



#10 NYLON
LOCK NUT







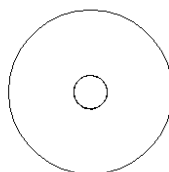
#10 X 3/4"
WELD STUD



AP1049-1046-IN
1/4 TO 1/32 DIN Adapter Plate

LEGEND

-  ADAPTER PLATE (11 GAUGE)
-  MOUNTING STUD (10-32x3/4")
-  SEALING GASKET
-  EXISTING HMI CUTOUT



#10 1"
WASHER



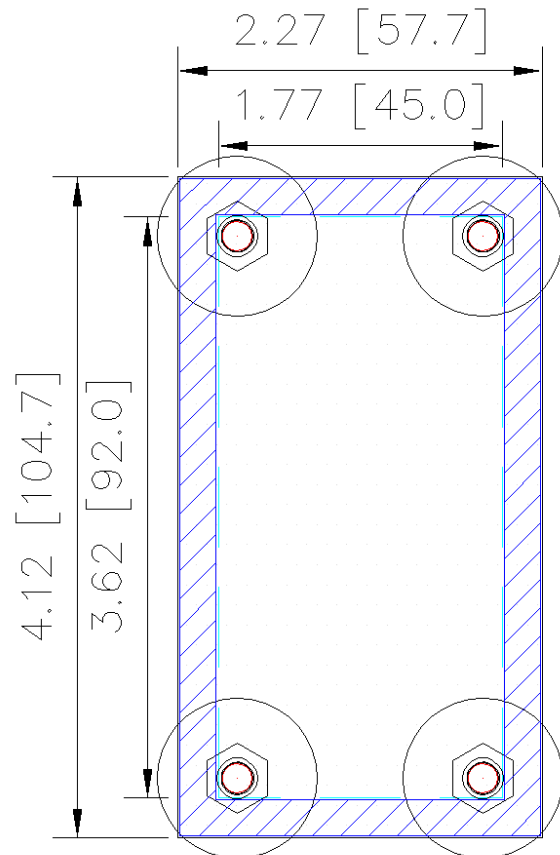
#10 1/2"
WASHER



#10 NYLON
LOCK NUT



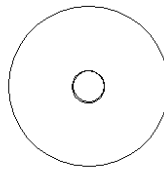
#10 X 3/4"
WELD STUD



CP1048-0000-IN
1/8 DIN Cover Plate

LEGEND

- ADAPTER PLATE (11 GAUGE)
- MOUNTING STUD (10-32x3/4")
- SEALING GASKET
- EXISTING HMI CUTOUT



#10 1"
WASHER



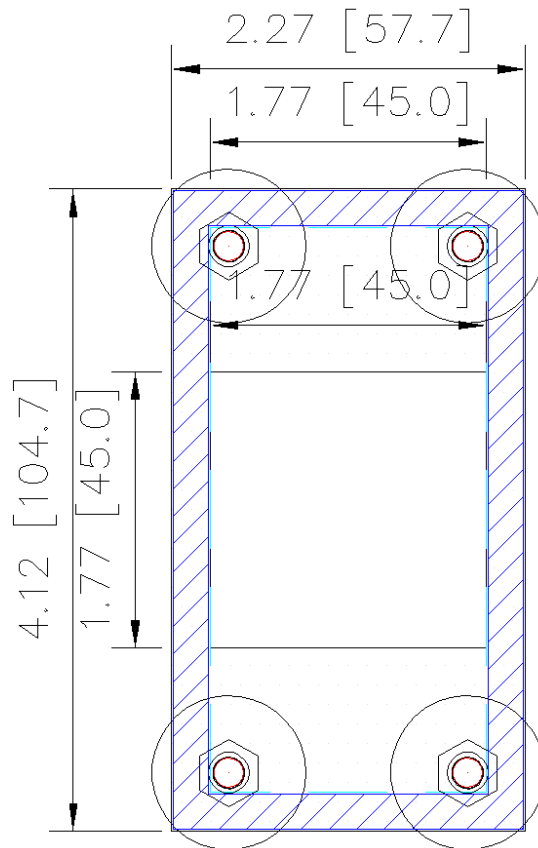
#10 1/2"
WASHER



#10 NYLON
LOCK NUT

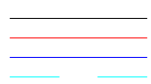


#10 X 3/4"
WELD STUD

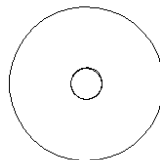


AP1048-1047-IN
1/8 TO 1/16 DIN Adapter Plate

LEGEND



ADAPTER PLATE (11 GAUGE)
MOUNTING STUD (10-32x3/4")
SEALING GASKET
EXISTING HMI CUTOUT



#10 1"
WASHER



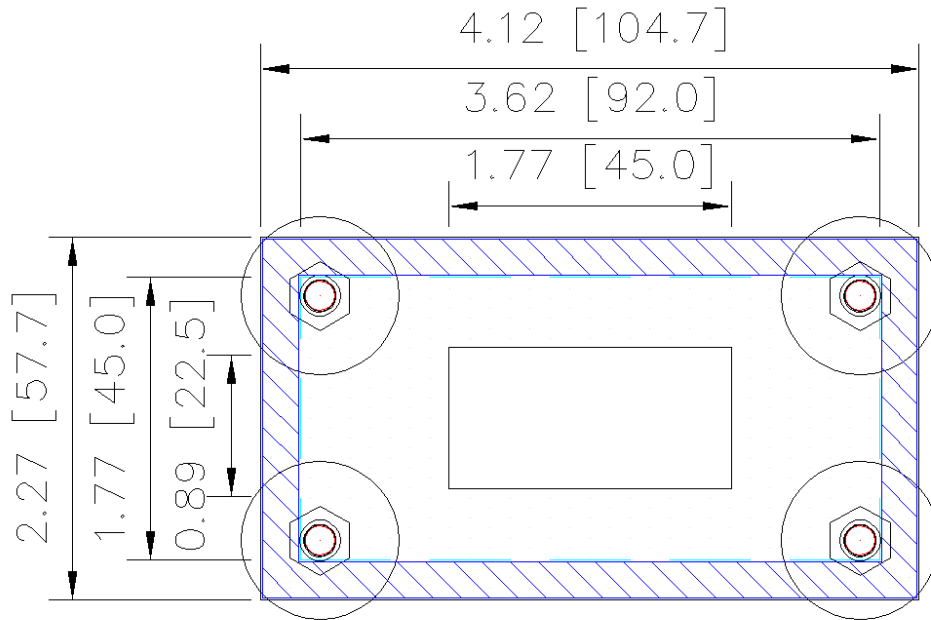
#10 1/2"
WASHER



#10 NYLON
LOCK NUT







#10 X 3/4"
WELD STUD

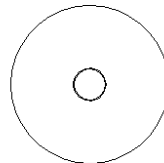


AP1057-1046-IN

1/8 Horizontal TO 1/32 DIN Horizontal Adapter Plate

LEGEND

-  ADAPTER PLATE (11 GAUGE)
-  MOUNTING STUD (10-32x3/4")
-  SEALING GASKET
-  EXISTING HMI CUTOUT



#10 1"
WASHER



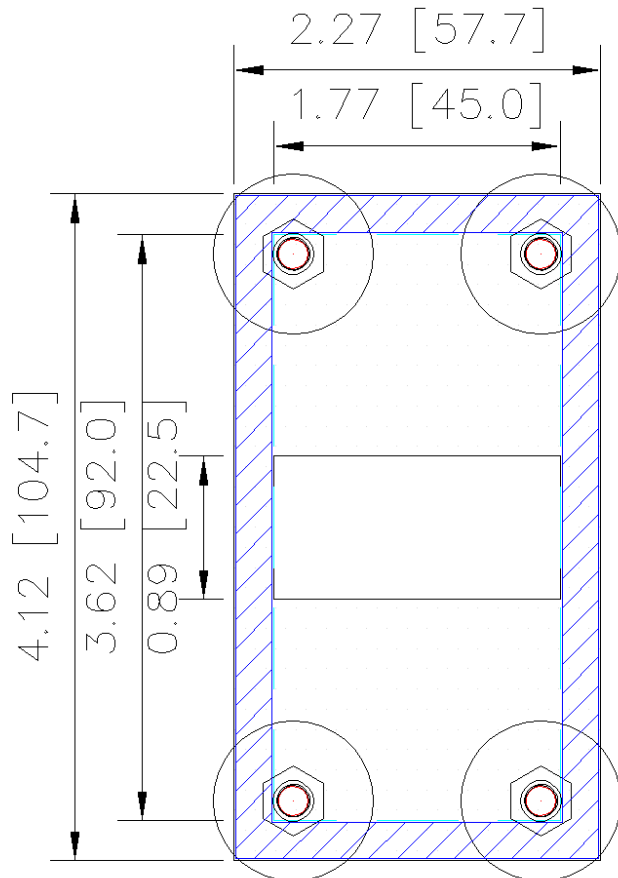
#10 1/2"
WASHER



#10 NYLON
LOCK NUT







#10 X 3/4"
WELD STUD

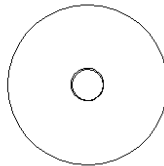


AP1048-1046-IN

1/8 Vertical TO 1/32 DIN Horizontal Adapter Plate

LEGEND

-  ADAPTER PLATE (11 GAUGE)
-  MOUNTING STUD (10-32x3/4")
-  SEALING GASKET
-  EXISTING HMI CUTOUT



#10 1"
WASHER



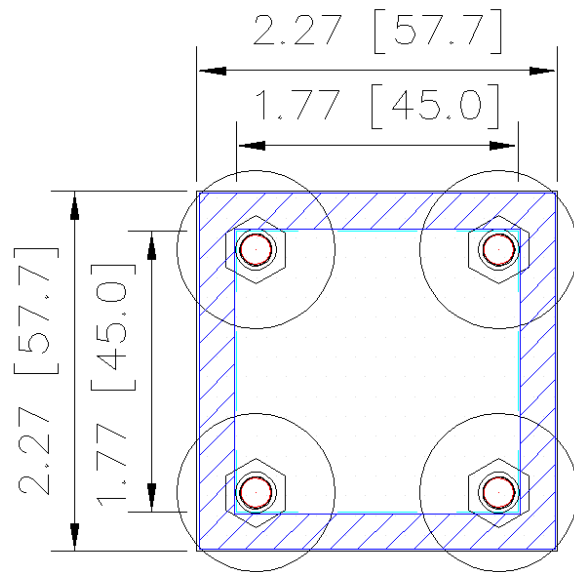
#10 1/2"
WASHER



#10 NYLON
LOCK NUT







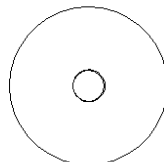
#10 X 3/4"
WELD STUD



CP1047-0000-IN
1/16 DIN Cover Plate

LEGEND

-  ADAPTER PLATE (11 GAUGE)
-  MOUNTING STUD (10-32x3/4")
-  SEALING GASKET
-  EXISTING HMI CUTOUT



#10 1"
WASHER



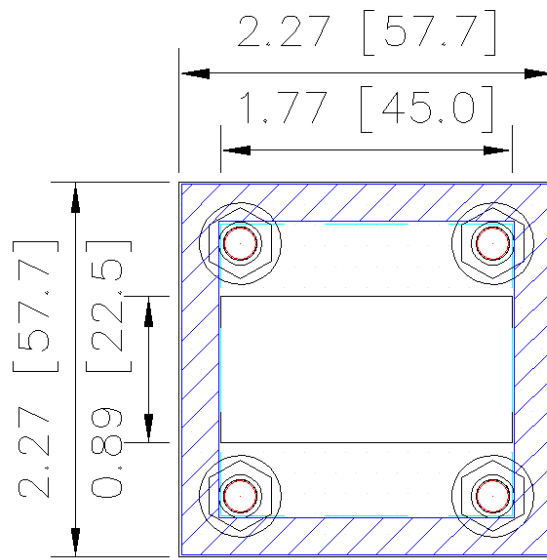
#10 1/2"
WASHER



#10 NYLON
LOCK NUT







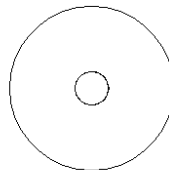
#10 X 3/4"
WELD STUD



AP1047-1046-IN
1/16 TO 1/32 DIN Adapter Plate

LEGEND

-  ADAPTER PLATE (11 GAUGE)
-  MOUNTING STUD (10-32x3/4")
-  SEALING GASKET
-  EXISTING HMI CUTOUT



#10 1"
WASHER



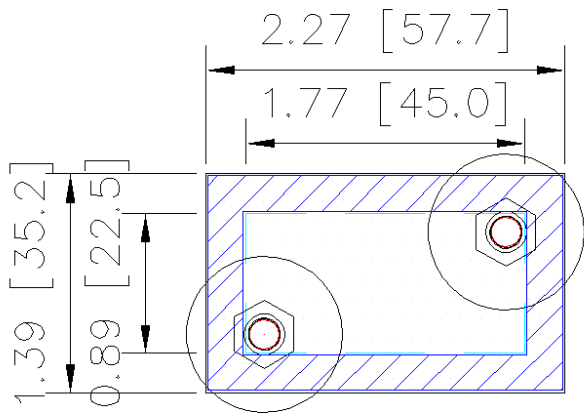
#10 1/2"
WASHER



#10 NYLON
LOCK NUT







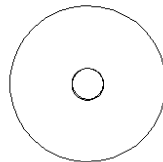
#10 X 3/4"
WELD STUD



CP1046-0000-IN
1/32 DIN Cover Plate

LEGEND

-  ADAPTER PLATE (11 GAUGE)
-  MOUNTING STUD (10-32x3/4")
-  SEALING GASKET
-  EXISTING HMI CUTOUT



#10 1"
WASHER



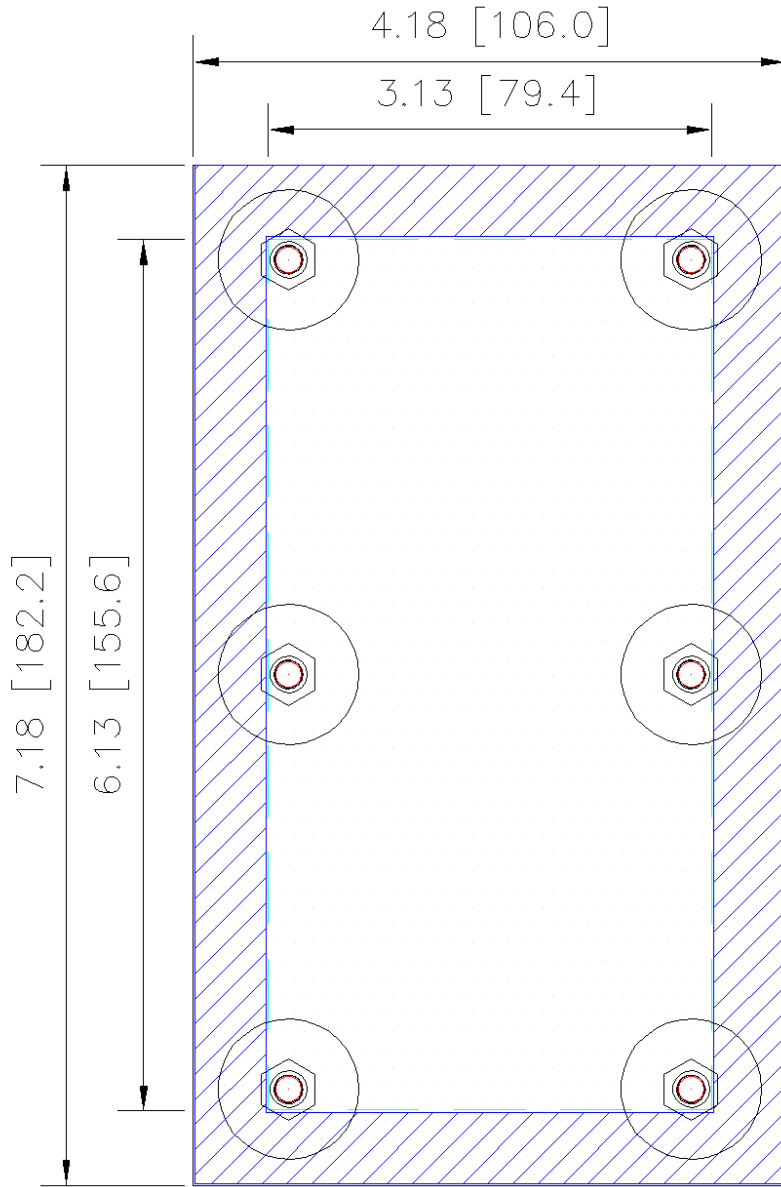
#10 1/2"
WASHER



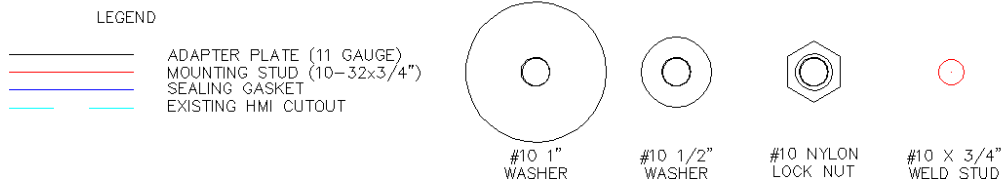
#10 NYLON
LOCK NUT

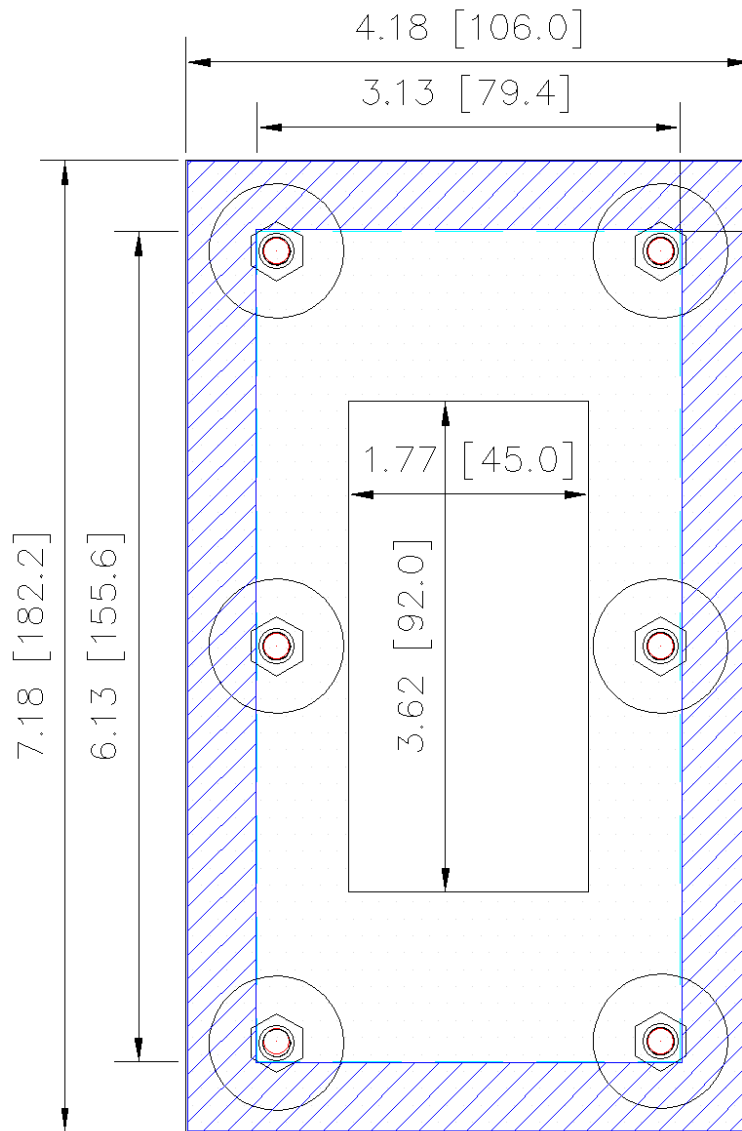


#10 X 3/4"
WELD STUD

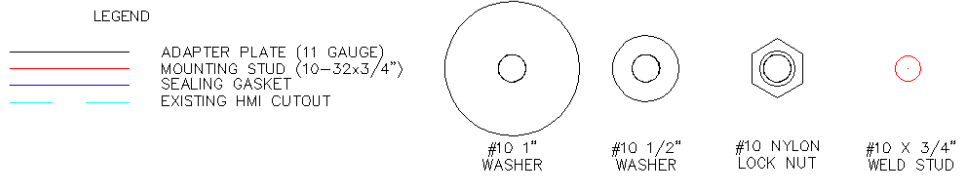


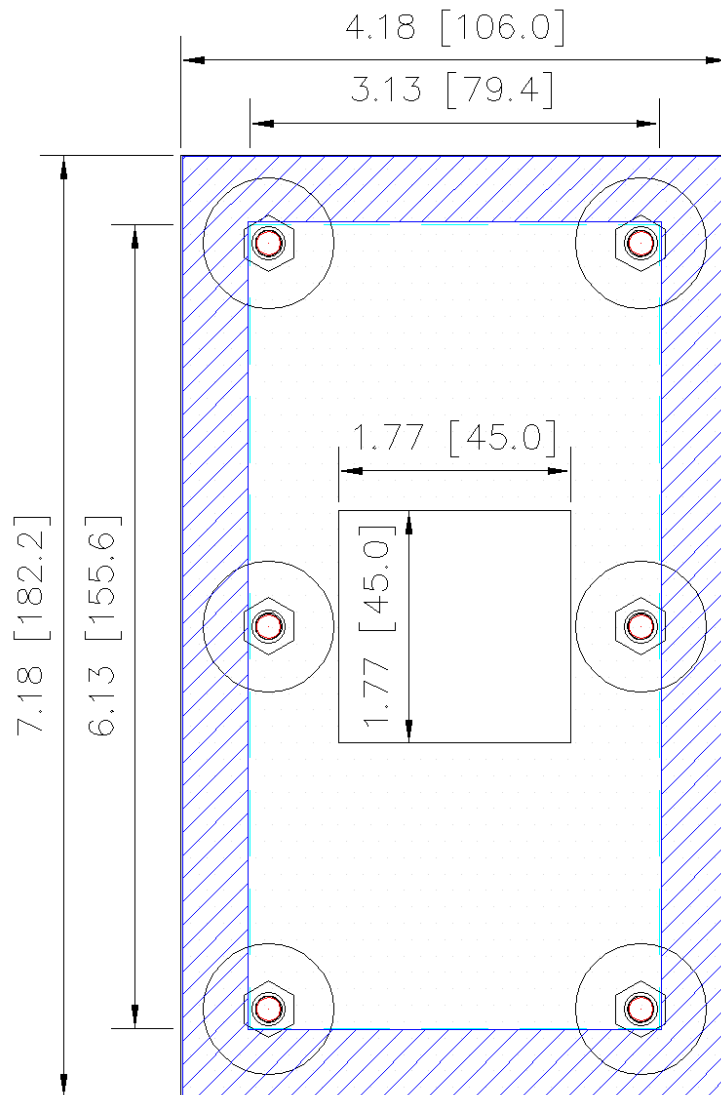
CP-1054-0000-IN
BARBER-COLMAN 521/522/523/524 Cover Plate









AP-1054-1048-IN
 BARBER-COLMAN 521/522/523/524 TO 1/8 DIN ADAPTER PLATE

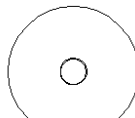




#AP-1054-1047-IN
 BARBER-COLMAN 521/522/523/524 TO 1/16 DIN

LEGEND

-  ADAPTER PLATE (11 GAUGE)
-  MOUNTING STUD (10-32x3/4")
-  SEALING GASKET
-  EXISTING HMI CUTOUT



#10 1" WASHER



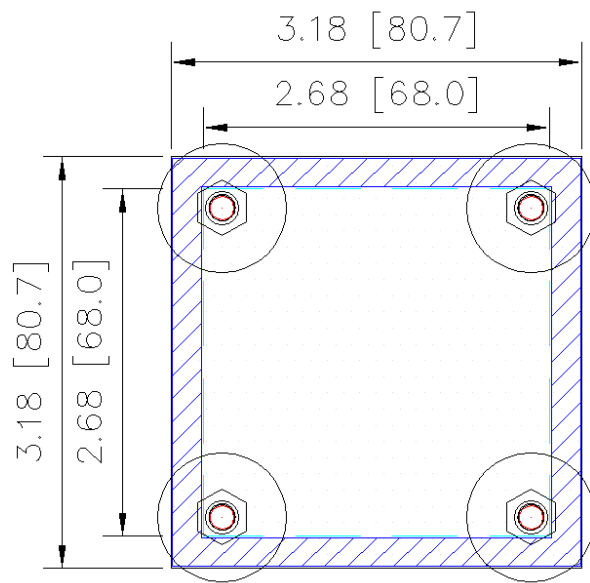
#10 1/2" WASHER



#10 NYLON LOCK NUT

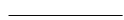





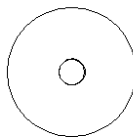
#10 X 3/4" WELD STUD



CP1065-0000-IN
Autonics TC4M 72x72 Cover Plate

LEGEND

-  ADAPTER PLATE (11 GAUGE)
-  MOUNTING STUD (10-32x3/4")
-  SEALING GASKET
-  EXISTING HMI CUTOUT



#10 1"
WASHER



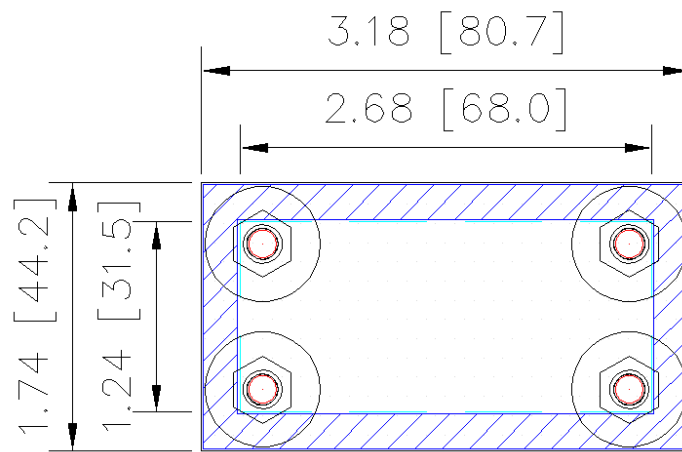
#10 1/2"
WASHER



#10 NYLON
LOCK NUT







#10 X 3/4"
WELD STUD

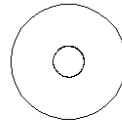


CP1064-0000-IN

Red Lion Cub & Autonics TC4Y 72x36 Autonics Cover Plate

LEGEND

-  ADAPTER PLATE (11 GAUGE)
-  MOUNTING STUD (10-32x3/4")
-  SEALING GASKET
-  EXISTING HMI CUTOUT



#10 3/4"
WASHER



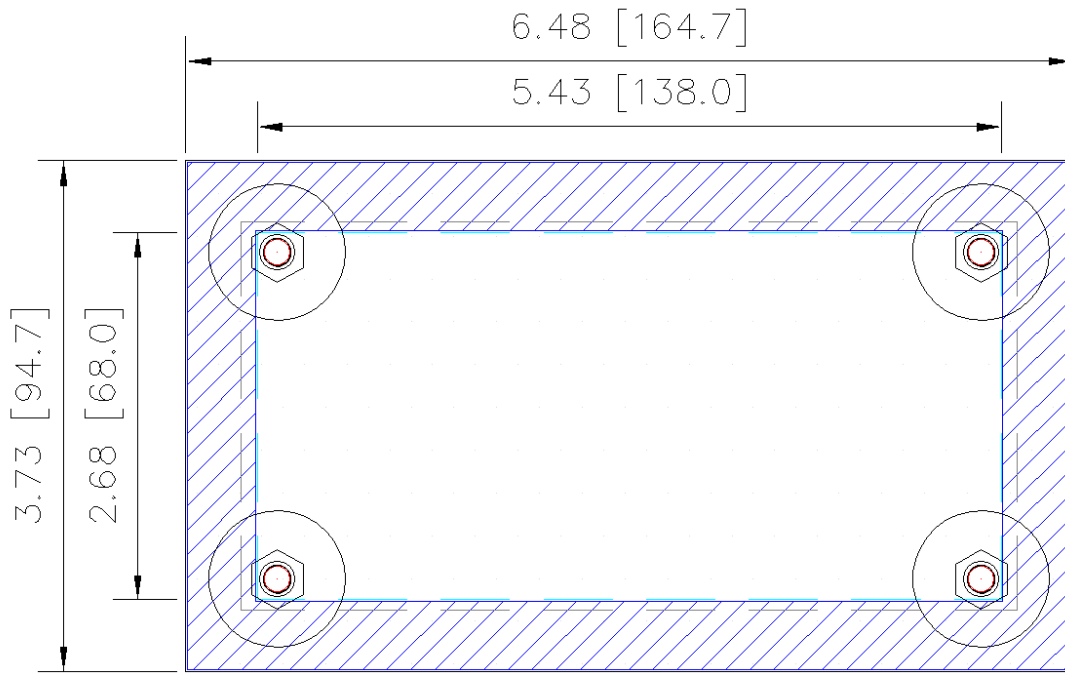
#10 1/2"
WASHER







#10 NYLON
LOCK NUT

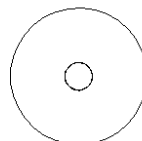


#10 X 3/4"
WELD STUD



CP1069-0000-IN
Omega 400 Series Cover Plate

- LEGEND
-  ADAPTER PLATE (11 GAUGE)
 -  MOUNTING STUD (10-32x3/4")
 -  SEALING GASKET
 -  EXISTING HMI CUTOUT



#10 1"
WASHER



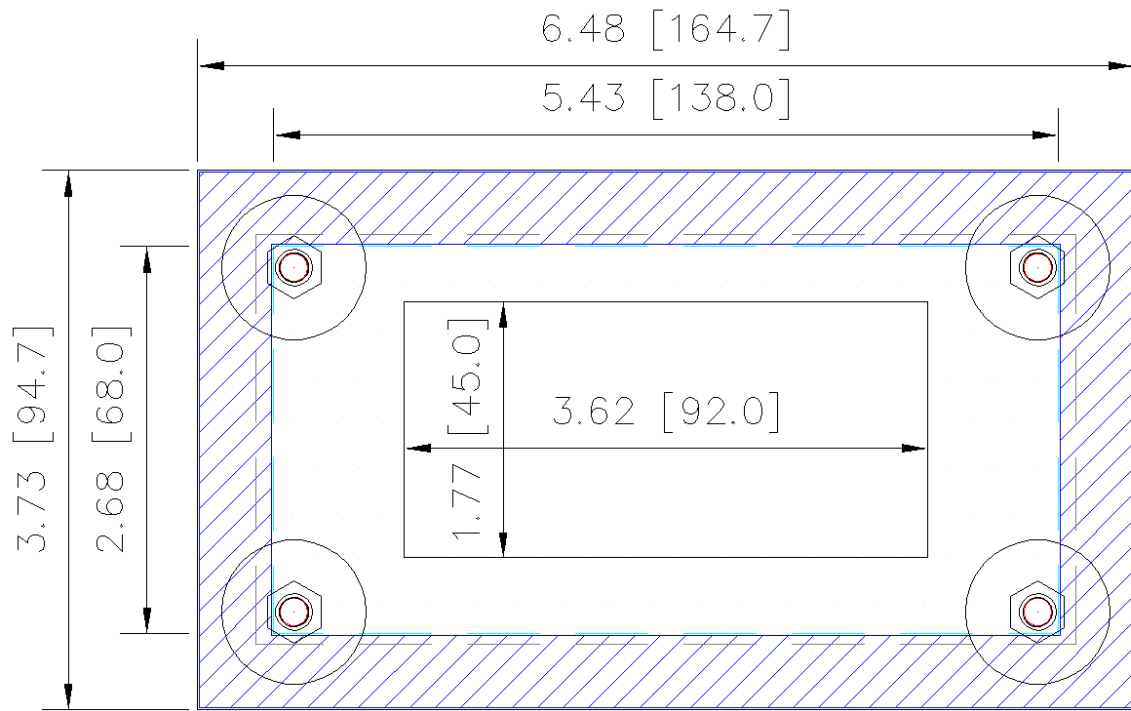
#10 1/2"
WASHER



#10 NYLON
LOCK NUT



#10 X 3/4"
WELD STUD



CP1069-0000-IN
Omega 400 Series to 1/8 DIN ADAPTER PLATE

