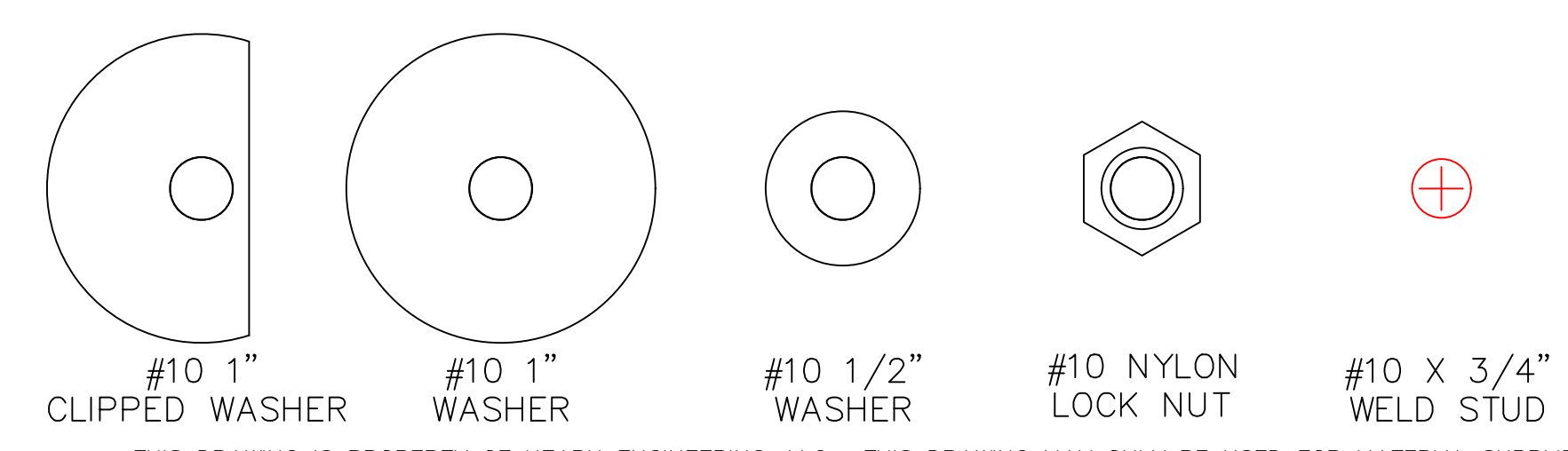


LEGEND

- ADAPTER PLATE (11 GAUGE)
- BACK PLATE (11 GAUGE)
- MOUNTING STUD (10-32x3/4")
- SEALING GASKET
- EXISTING HMI BEZEL
- EXISTING HMI CUTOUT
- NEW HMI BEZEL



THIS DRAWING IS PROPERTY OF HEARN ENGINEERING, LLC. THIS DRAWING MAY ONLY BE USED FOR MATERIAL SUPPLIED BY HEARN ENGINEERING, LLC.

Existing HMI: Allen Bradley #2711-K6C2 Bezel Size: 11.417"W x 7.559"H Cutout: 10.394"W x 6.575"H  
 New HMI: Allen Bradley #2711P-T6C21D8S Bezel Size: 6.929"W x 5.984"H Cutout: 6.142"W x 4.843"H

  <a href="http://www.hmiadapterplate.com">www.hmiadapterplate.com</a>	REVISIONS		DRAWING NAME
	DESCRIPTION	DATE	AP2016-1024-IN
	1 INITIAL ISSUE	11/11/2020	
2 ADDED WASHER/LOCKNUTS & UPDATED	11/30/2023		
3 1023 SIZE CODE MERGED TO 1024	12/08/2023		
INFORMATION			UNITS
Nov 11 2020 6:26PM			INCHES