

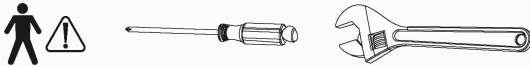


TYLR-6101T

# Portable **BBQ** Grill INSTRUCTIONS MANUAL

Rating Label					
Pin No.	0359C000365	CE	0359-14	Injector Size(mm)	Appliance Name
Series No.	20130610				
Country of Destination	Categories	Type of Gas	Pressures (mbar)	Main Burner	Heat Input(Hs)
BE,CH,CY,CZ,ES,FR,GB,GR,IE,IT,LT,LU,LV,PT,SK,SI	13(128-30/37)	Butane/Propane	28-30/37	0.91	3.6KW 257g/h
BE,CY,DK,EE,FR,FI,HU,IT,LT,LU,NO,SE,SI,SK,RD,HR,TR,BG,IS,LU,MT	13(8/P(30))	Butane/Propane /ther mixture	30	0.91	
AT,CH,DE,SK	13(8/P(50))		50	0.80	
PL	13(8/P(37))		37	0.86	
Vortech 17/04/49					
Use outdoors only					
Read the instructions before using the appliance.					
WARNING: accessible parts may be very hot. Keep young children away.					

### Tools Needed for the Assembly



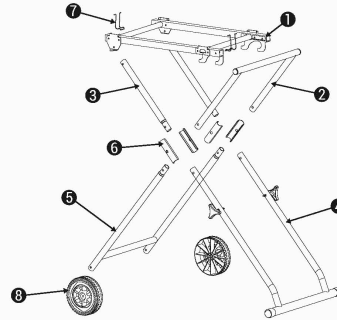
### Trolley/Stand Parts

<b>1</b> 1 pcs.		<b>2</b> 1 pcs.	
<b>3</b> 2 pcs.		<b>4</b> 1 pcs.	
<b>5</b> 1 pcs.		<b>6</b> 6 pcs.	
<b>7</b> 2 pcs.		<b>8</b> 2 pcs.	

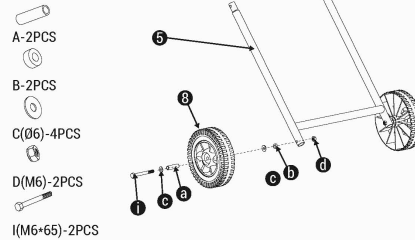
### Grill Parts

<b>1</b> 1 pcs.		<b>2</b> 1 pcs.	
<b>3</b> 2 pcs.		<b>4</b> 2 pcs.	
<b>5</b> 2 pcs.		<b>6</b> 1 pcs.	
<b>7</b> 1 pcs.		<b>8</b> 1 pcs.	
<b>9</b> 1 pcs.		<b>10</b> 1 pcs.	
<b>11</b> 1 pcs.		<b>12</b> 1 pcs.	
<b>13</b> 1 pcs.		<b>14</b> 1 pcs.	
<b>15</b> 2 pcs.		<b>16</b> 1 pcs.	
<b>17</b> 1 pcs.		<p>Read the instructions manual first before operating this product. Take extra precaution. Do not use indoors.</p>	

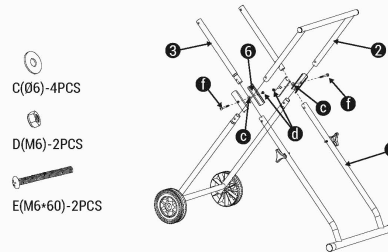
### Trolley/Stand Assembly



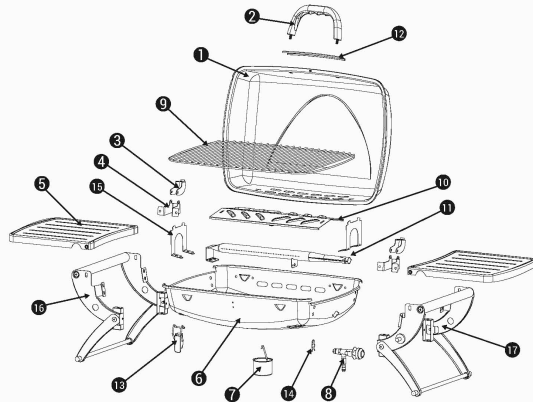
**1**



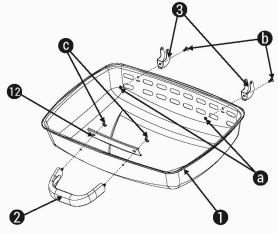
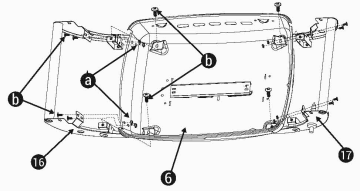
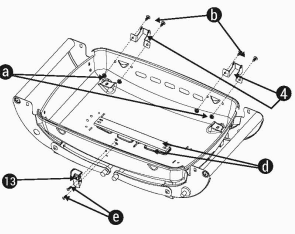
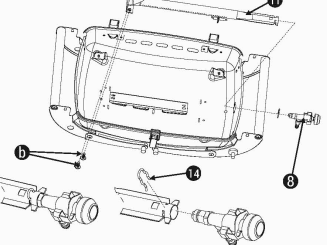
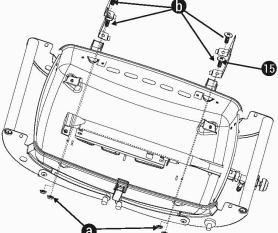
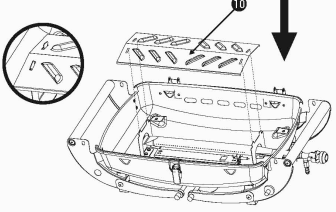
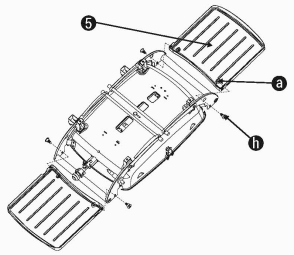
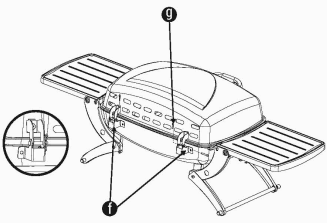
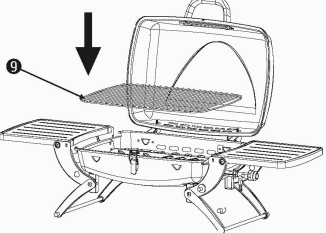
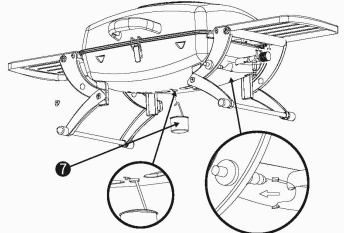
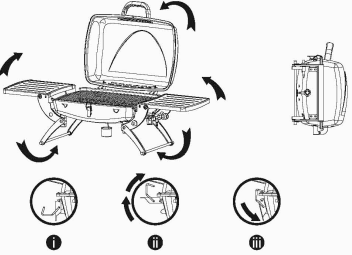


**2**



### Grill Assembly



See the back of this page for continuation.

<p><b>1</b></p> <p>A(M5)-2PCS B(M5+12)-2PCS C(M6)-2PCS</p> 	<p><b>2</b></p> <p>A(M5)-8PCS B(M5+12)-12PCS</p> 
<p><b>3</b></p> <p>A(M5)-4PCS B(M5+12)-4PCS D(M5)-2PCS E(M5+12)-2PCS</p> 	<p><b>4</b></p> <p>B(M5+12)-2PCS</p> 
<p><b>5</b></p> <p>A(M5)-4PCS B(M5+12)-4PCS</p> 	<p><b>6</b></p> 
<p><b>7</b></p> <p>A(M5)-4PCS H(M5+8)-4PCS</p> 	<p><b>8</b></p> <p>F-2PCS G-2PCS</p> 
<p><b>9</b></p> 	<p><b>10</b></p> 
<p><b>11</b></p> 	<p style="text-align: center;"><b>Lighting Instructions</b></p> <ol style="list-style-type: none"> <li>1. Open the hood before lighting the barbecue and turn all the control knobs to the 'OFF' position.</li> <li>2. Connect the regulator to the gas cylinder and open either the cylinder valve on the cylinder or the regulator 'ON/OFF' switch. Turn gas on then off quickly and check connection for leakage with soapy solution. If bubbles are evident clean and remake the joint. (Consult your gas dealer if the fault cannot be rectified) <b>DO NOT USE THE APPLIANCE.</b></li> <li>3. Open either the cylinder valve on the cylinder or the regulator 'ON/OFF' switch.</li> <li>4. Turn all the control knobs to the 'OFF' position.</li> <li>5. To light the burner, push down and turn the control knob anticlockwise to the 90° position (FULL rate position) and keep pressing whilst press the ignition button that sited on the up right support leg up to four times in rapid succession. This should light the burner. Please note,  is the FULL rate position,  is the lowest rate position.</li> <li>6. If the burner has not lit after two attempts, turn the knob 'OFF', wait 5 minutes and repeat the lighting steps.</li> <li>7. <b>NEVER ATTEMPT TO LIGHT A BURNER THAT DOES NOT HAVE A LIT BURNER DIRECTLY ADJACENT TO IT. THIS COULD CAUSE A HAZARDOUS SITUATION TO OCCUR.</b></li> </ol>