



USER MANUAL



**360° DIGITAL ECO
SMART FAN**

TYL-EF16910

TABLE OF CONTENTS

IMPORTANT SAFETY GUIDELINES	2-3
FEATURES	3
PARTS DIAGRAM	4-5
ASSEMBLY INSTRUCTIONS	6-7
OPERATING INSTRUCTION	8-10
CLEANING AND MAINTENANCE	11
SPECIFICATIONS	11-12

IMPORTANT SAFETY GUIDELINES

1. To avoid electric shock, risk of fire or injury, please read the user manual carefully before using the appliance and keep it for future reference.
2. This appliance is for household use only. Please use suitable power source (220V/60Hz).
3. Never immerse the appliance in water or other liquids.
4. Please turn off the appliance when not in use; otherwise, it may result in danger.
5. Do not handle the power plug with wet hands; otherwise, you may get injured or suffer an electric shock.
6. The appliance is not intended for used by children or persons with reduced physical, sensory or mental capabilities, or lack of experience and knowledge, unless they have been given supervision or instruction.
7. Children should be supervised to ensure that they do not play with the appliance and keep away from it.
8. With any indication of malfunction (including power cord), please stop using the appliance immediately to avoid hazard. Take it to the authorized service center for repair. Do not attempt to repair or change any parts by yourself.
9. Turn off and unplug the appliance before cleaning or maintenance.
10. Please turn off and unplug the appliance when not in use. Make sure power is off before pulling the plug. Do not pull plug by the cord.
11. When the appliance is not in use for a prolonged period, please turn it off, unplug it and pack it well. Store in dry cool place.
12. Keep the fan away from any fire and heat sources.
13. Please put the power cord in the right place in order to avoid tripping the appliance over.
14. Please keep the air inlet and outlet unblocked to minimize the risk of fire and malfunction.
15. Ensure no water goes into the appliance in order to avoid electric shock. Do not put flammable objects or wet clothes on the air outlet in order to avoid

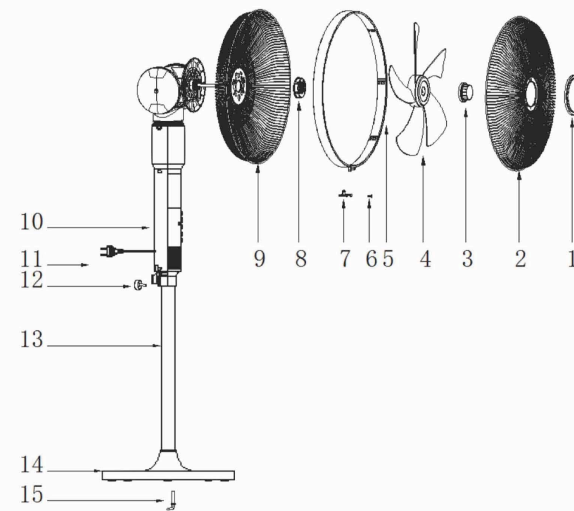
short circuit or fire.

16. Do not place air inlet or outlet near curtains or walls when in operation because it will block air current and cause a risk of fire. The appliance should be installed at minimum distance of 10 cm from the wall or other obstacle.
17. Please do not insert any objects into air inlet and outlet in order to avoid electric shock.
18. After a period of operation, there may be some abnormal noise and uneven air volume because of accumulated dust blocking airflow. This will disappear after cleaning the air inlet and outlet.
19. Do not insert any objects in the grille to prevent any injury or damage.

FEATURES

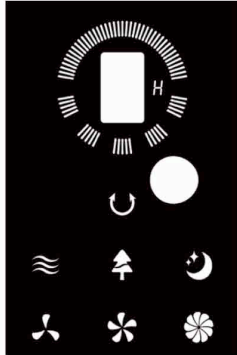
1. TIMER: 1H, 2H, 4H, 8H
2. Infrared remote control
3. 3 Wind Speeds: High, Medium, Low
4. 3 Wind Modes: Normal, Nature, Sleep
5. IMD Control panel, LED Display
6. Oscillation angle: 60°, 90°, 180°, 360°
7. Manual vertical oscillation: -10°, 0°, 10°, 20°, 30°, 40°, 50°, 60°, 70°, 80°, 90°
8. Power On/Off buttons with sound alerts

PARTS DIAGRAM



- | | |
|----------------------------|--------------------------|
| 1. Cover Plate | 13. Lower Pole |
| 2. Front Grill | 14. Base |
| 3. Fan Blade Knob | 15. L-type Locking Screw |
| 4. Fan Blade | |
| 5. Fan Ring | |
| 6. Fan Ring Clip Screw | |
| 7. Fan Ring Clip | |
| 8. Rear Grill Mounting Nut | |
| 9. Rear Grill | |
| 10. Fan Body | |
| 11. Power Cord | |
| 12. Locking Screw | |

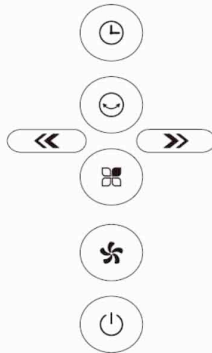
Display Panel



Remote Control Panel



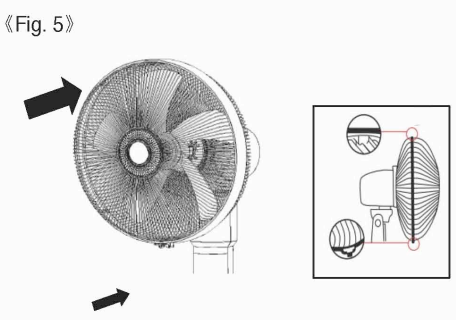
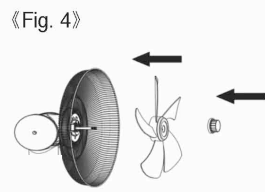
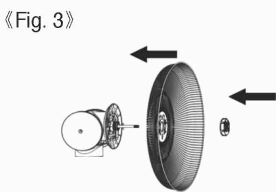
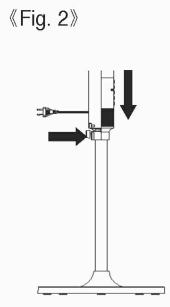
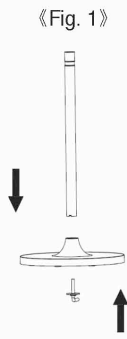
Control Panel



ASSEMBLY INSTRUCTIONS

Caution: Please unplug the appliance before assembly.

1. Insert the lower pole into the hole of the base, then tighten using the L-type screw. (Fig.1)
2. Place the fan body over the lower pole, then tighten using the locking screw. (Fig. 2)
3. Position the rear grill over the motor body head, making sure that the 3 holes are aligned with the 3 prongs, then firmly screw on the rear grill mounting nut by turning in a clockwise direction. (Fig. 3)
4. Mount the fan blade onto the motor shaft; and fasten the fan blade knob firmly by turning in a counter-clockwise direction. (Fig. 4)
5. Attach the front grill with fan ring to the rear grill by pushing the round edges of the grills firmly together, then lock the fan ring clip attached to the fan ring. Using a Phillips head screwdriver, tighten the fan ring clip screw provided. (Fig.5)
6. After assembly, plug into a power outlet.



OPERATING INSTRUCTIONS

1. ON/ OFF 

When the unit is first plugged in, a beeping sound is heard, and the fan will go on standby status.



2. SPEED 

Press "SPEED" button to adjust wind speed. Each press of the button will cycle through LOW→ MEDIUM→ HIGH→ LOW. The display panel will show the current fan speed.

3. SWING 

Press "SWING" button to set the horizontal oscillation angle desired. Pressing this button will cycle through 0° (no oscillation), 60°, 90°, 180°, 360°, 0° (no oscillation). The display panel will show the current oscillation angle.

NOTE: Vertical oscillation can be set manually: -8°, 0°, 10°, 20°, 30°, 40°, 50°, 60°, 70°, 80°, 90°. Horizontal oscillation can also be set manually to any angle from 0-360°

Press and hold the buttons  or  to make the fan head swing towards the right/left direction. Release the button when the desired position is achieved.

4. MODE

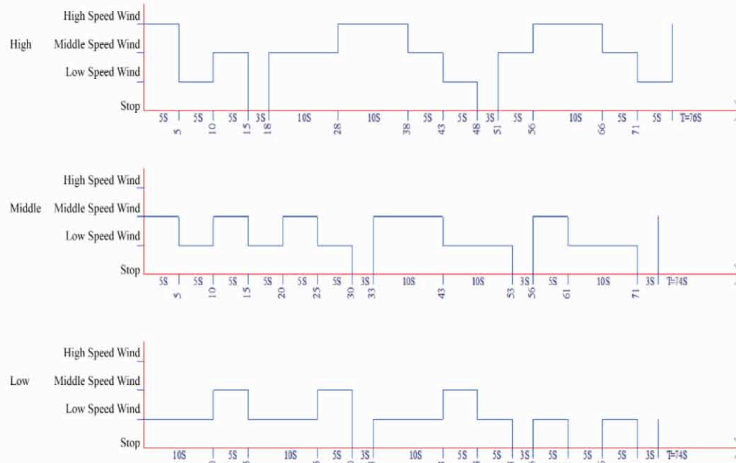
The fan is initially set at Normal mode. Each press of the button will cycle through Normal → Nature → Sleep → Normal. The display panel will show the mode accordingly.

⊖ Normal airflow

High wind speed high -----
Medium wind speed medium ----
Low wind speed low ----

⊖ Nature airflow

Natural wind includes three wind modes (High, Medium, Low) with the corresponding air speed patterns:



⊗ Sleep airflow

High: 30 minutes of high natural wind → 30 minutes of medium natural wind → maintain at low natural wind

Medium: 30 minutes medium natural wind → maintain at low natural wind

NOTE: The speed LED display does not change in Natural and Sleep modes.

5. TIMER

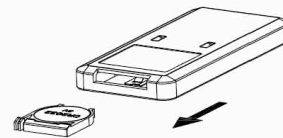
There is no initial time setting by default. Pressing the TIMER button will cycle through the following timer settings: 1H → 2H → 4H → 8H → 0H (no time setting) → 1H. After time has been set, the timer enters into the countdown and until the unit turns off.

6. LED DISPLAY

The LED light will dim if no operation is done after 1 minute (33% dimmer than original brightness). If any operation is button is pressed, the light will brighten again.

Using the Remote Control:

1. Slide battery tray at the base of the unit.
2. Insert one (1) button cell battery (CR2032 3V).
3. Point the remote towards the control panel on the front of the pedestal to operate.



CLEANING & MAINTENANCE

Accumulated dust and dirt on the fan will affect its performance. Cleaning the fan is recommended at least once a month. Follow these instructions to correctly and safely care for your stand fan. Please remember:

- Always unplug the fan before cleaning or disassembling.
- Do not allow water to drip on or into the fan motor housing.
- Do not use any of the following as a cleaner: gasoline, thinner, benzene.

Fan Head, Base and Pole Cleaning

- Clean the fan blade, both front and rear grills with a soft cloth moistened with a mild soap solution.
- Using a soft, moist cloth, with or without a mild soap solution, carefully clean the fan base, pole, and head. Please use caution around the motor housing area. Do not allow the motor or other electrical components to be exposed to water.

Product Storage

When storing your fan for an extended period of time, it is important to keep it in a safe dry location. It is important to protect the fan head from dust.

SPECIFICATIONS

Model	TYL-EF16910
Rated voltage	220-240V~
Rated frequency	60 Hz
Rated power	65W
Noise	≤55 dB

Size	L453mm×W417mm×H1400mm
Weight	G.W.: 8.5Kg N.W.: 10.5 Kg
Environment	0~+40°C, relative humidity 90% (25°C)