



Smart Air Purifier

Advanced Air Purification Technology that Ensures Clean and Strong Airflow.

INSTRUCTIONS MANUAL



TYL-CF8609







Smart **Air Purifier**

Advanced Air Purification Technology that Ensures Clean and Strong Airflow.





FEATURES AND SPECIFICATIONS

Features

- Soft touch panel with beautiful LED for more convenient use.
- With air quality sensor.
- Remote control deeply eases the operation of device.
- 4 speeds: low, medium, high and turbo.
- Sleep mode: LED light dims; ensuring you a peaceful and quite environment.
- Filter change indicator: lets you know when filter needs replacing.
- Child lock: prevents child from operating the device without parents' supervision.
- Auto mode: adjusts fan speed according to air quality.
- Air quality indicator: intelligently indicates the air quality in the screen.
- Timer: 1 hour up to 12 hours



Specifications

- Filter Rate: Traps 99.97% particles greater than 0.3 microns
- CADR: 282cfm (0.1uM AHAM standard) / 483m³/h
- UVC life: 80,000 hours, 4W
- Fan speed: 4 levels
- Production dimension: 445 (L) x 238(W) x 680(H) mm
- For Room size: 50m²
- Rated Voltage: AC 220-240V, 60Hz
- Noise level: 29dB(L), 50dB(M), 60dB(H)
- Power Consumption: 70 W
- Net Weight: 9.5 Kg

Multi Purification System Process:



1. Washable pre-filter: Captures large particles (hair, large dust particles) to extend the life of air purifier filters.
2. True HEPA filter: Eliminates particles down to $0.3 \mu\text{m}$ up to 99.97%; traps germs in the air; Eliminates indoor dust/smoke circularly in a room about 54m^3 (20m^2 2.7m high) every 6 minutes
3. High quality carbon filter: Absorbs formaldehyde, benzene and other noxious gas. Eliminates all smoke in a 1m^3 testing room within 1 hour
4. UVC light eliminates germs by 99%, with US ITS test report. Destroys gaseous pollutants by converting them into harmless with UVC light and a catalyst (TiO_2).
5. Negative Ion: More than 3 Million ions/cc output, helps to reduce the harmful effect of positive ions from computer and TV sets. Improves air quality and peoples pulmonary and heart muscle functions.

Key Features

 Quiet Mode	 Remote Control	 Touch LED	99.9% Filtration Rate	Japanese BLDC Motor	
High Performance CADR 483 m³/h 	H13 Korea True HEPA Filtration Level 	Bacteria Removal Removes 99.9% of airborne impurities such as dust and even bacteria particles. 99.9% 	Air Quality Indicator Visible notice of the current air quality by particle sensor technology  Poor → → → → Good	4 Speed Air Flow Control Automatically adjusts the airflow speed based on the air quality level! 4 SPEED LEVELS  Low Med High Turbo	UV-C UVC Lamp Kills Bacteria and Germs 
 Carbon Filter Effectively Deodorize offensive or foul smell converting it to clean fresh air.	 PM2.5 LED Particle Matter Sensor Indicator	 50 m² 50 sqm Effective Room Size	 ION Built-In IONIZER		



IMPORTANT SAFETY INSTRUCTIONS

Failure to comply with the warnings listed below may result in electric shock or serious injury.



This product should be used only in accordance with the specifications outlined in this manual. Usage other than what has been specified here may result in serious injury.

- To reduce the risk of electrical shock, fire or injury to persons: Read all instructions before using the air purifier.
- This appliance can be used by children aged from 8 years and above and persons with reduced physical, sensory or mental capabilities or lack of experience and knowledge if they have been given supervision or instruction concerning use of the appliance in a safe way and understand the hazards involved. Children shall not play with the appliance. Cleaning and user maintenance shall not be made by children without supervision.
- This appliance is not intended for use by persons (including children) with reduced physical, sensory or mental capabilities, or lack of experience and knowledge, unless they have been given supervision or instruction concerning use of the appliance by a person responsible for their safety.
- If the supply cord is damaged, it must be replaced by the manufacturer, its service agent or similarly qualified persons in order to avoid a hazard.
- This appliance is not a substitute for proper ventilation, regular vacuum cleaning or use of an extractor hood or fan while cooking.
- Leave at least 20cm free space behind and on both sides of the appliance and leave at least 30cm free space above the appliance.
- During the operation of the product, please place the unit at least 2m away from equipment which involve electric wave such as televisions, radios or wave clocks, in case electrical interference occurs to such equipment.
- Remove the power plug from the wall outlet before cleaning the unit



and when not using the unit. Electrical shock from bad insulation and or fire from short circuit may occur as a result.

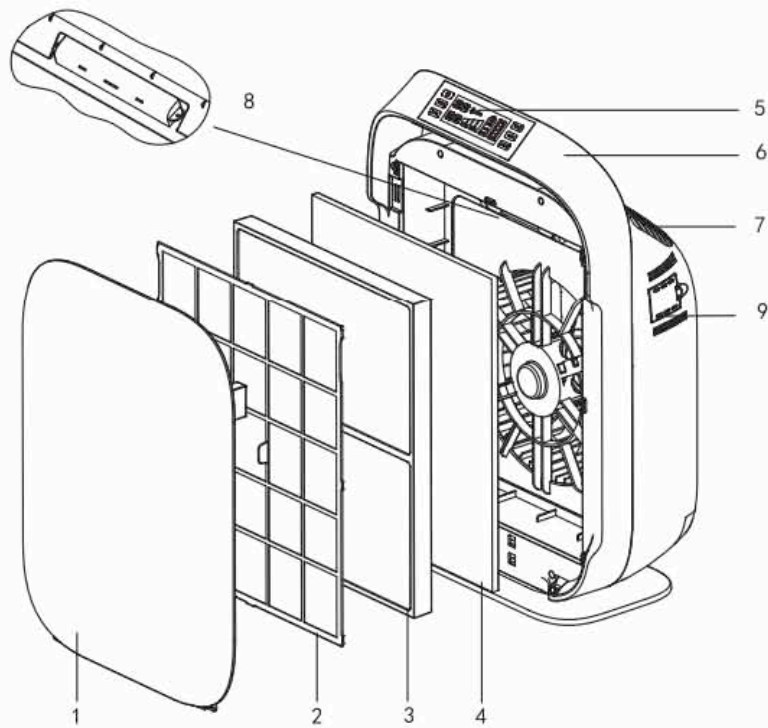
- When removing the power plug, always hold the plug and never pull the cord. Electrical shock and/or fire from short circuit may occur as result.
- Do not use the air purifier if the power cord or plug is damaged or the connection to the wall outlet is loose.
- Do not insert fingers or foreign objects into the intake or air outlet.
- Do not use this air purifier near gas appliances or fireplaces.
- Do not block the air inlet and outlet, e.g. by placing items on the air outlet or in front of the air inlet.
- Do not let water or any other liquid or flammable detergent enter the appliance to avoid electric shock and/or a fire hazard.
- Do not clean the appliance with water or any other liquid or a (flammable) detergent to avoid electric shock and/or a fire hazard.
- Do not place anything on top of the appliance and do not sit on the appliance.
- Do not place the appliance directly below an air conditioner to prevent condensation from dripping into the appliance.
- Do not use this appliance when you have used indoor smoke-type insect repellents or in places with oily residues, burning incense or chemical fumes.
- Do not use the appliance in a room with major temperature changes, as this may cause condensation inside the appliance.
- Do not use the appliance in wet surroundings or in surroundings with high ambient temperatures, such as the bathroom, toilet or kitchen.
- This product complies with the maximum allowable concentration of ozone of 0.050 parts per million by volume (ppmv) in a 24-hour period. The Health Canada Guideline 2010 (ISBN 978-1-100-16288-1) recommends that the maximum exposure limit, based on an average time of 8 hours, is 0.020 ppmv or less when tested in a sealed, controlled room approximately 30m³.

www.tyrlrhome.com

9



PRODUCT DIAGRAM



1. Front cover
2. Pre-filter
3. HEPA filter
4. Activated Carbon filter
5. Control panel
6. Handle
7. Air outlet
8. UV-C lamp
9. Dust sensor and Filter reset button

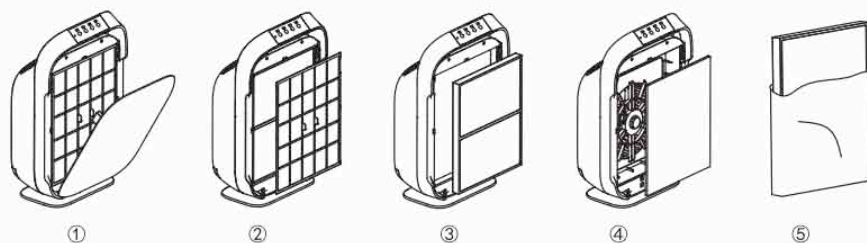


BEFORE FIRST USE

Placing the filters

The appliance comes with all filters fitted inside, but you have to remove the packaging of the filters before you use the appliance. Remove all filters, unpack them and place them back into the appliance as described below.

Note: Make sure you insert the filters in the correct position.



Step 1. Place your fingers in the recesses of the side panels and gently pull the top part of the front panel towards you. Then lift the hooks at the bottom of the panel out of the bottom of the appliance.

Step 2. Remove pre-filter from the appliance.

Step 3. Remove HEPA filter from the appliance.

Step 4. Remove Activated Carbon filter from the appliance.

Step 5. Remove all packaging material from the filters.

Step 6. Place Activated Carbon filter back into the appliance, making sure the side with strip is facing you.

Step 7. Place HEPA filter back into the appliance, make sure the side with the strip is facing you.

Step 8. Place Pre-filter back in the appliance, making sure the side with the flange is facing you.

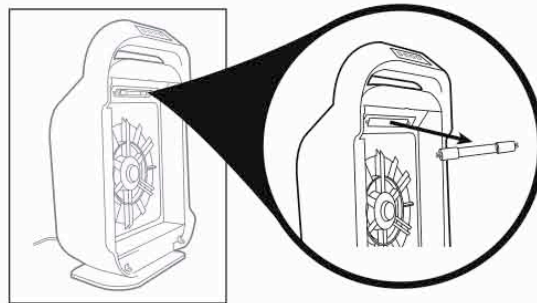
Step 9. To reattach the front panel, insert the bottom hooks into the bottom of the appliance first, then push the panel against the body of the appliance.



UV LAMP REPLACEMENT

1. Open the UV lamp cover using a screw driver.
2. The UV Bulb is removed by carefully grasping the bulb with a clean cloth or tissue and twisting the bulb 1/4 turn. Remove from unit.
3. Install the new UV lamp and re-attach the cover.

Note: Do not look at the operating UV lamp directly.



Purification system

Improve your indoor air quality with your new Air Cleaning System. Multiple levels of cleaning include a combination HEPA filter that captures allergens, and Activated Carbon filter to remove odors. UV-C light technology enhances germ-killing.

1. Washable Pre-filter: Trapping big particles such as human hair, pet hair and bird feather help extend life of HEPA and Activated Carbon filter.

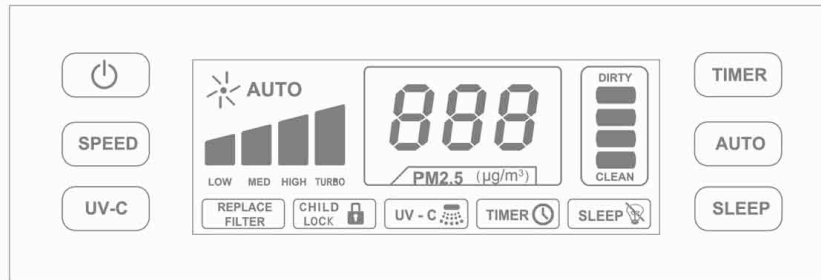
2. True HEPA filter: The high-performance composite HEPA filter is over 99.97 % efficient in trapping all allergens and airborne contaminants down to 0.3 micron in size such as: lung damaging dust, mold spores, plant spores, pet dander, pollen etc.







3. Activated Carbon filter: The activated carbon filter filters out odors and other VOCs effectively.

4. UV-C: UV Light (254NM) destroys micro-organisms such as germs, viruses, bacteria and fungi (such as mold toxins).

5. Ion: Negative ions improve the air quality by combining with dust or reacting with odor molecules attached on the wall. Plenty of negative ions exist in natural surroundings such as waterfalls or forests. In this mode, negative ions bring the room air close to this natural environment.

OPERATION GUIDANCE

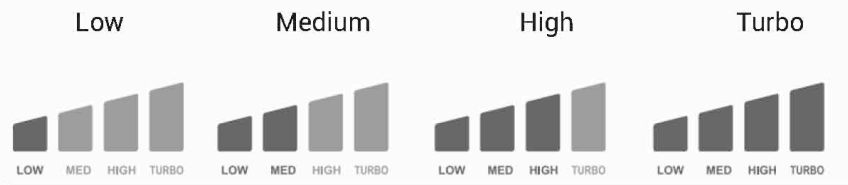


-  1. Power button: Press this button to start and shut down the appliance, Ion generator also starts and shuts down at the same time.
-  2. Fan speed button: Press this button one or more times to select the desired fan speed. The corresponding fan speed light indicates the fan speed (Low, Med, High, Turbo).
-  3. UV-C button: First press - the corresponding light indicates the UV lamp is in operation. To turn off, UV lamp function, press the UV-C button again.
-  4. Timer button: Press this button one or more times and the corresponding light will indicate the operation time set.
-  5. Auto button: Press this button and the appliance will adjust the fan speed according to the air quality.
-  6. Sleep mode button: Press this button once and after 10 seconds of flickering, the LED light will dim but appliance will keep working. To turn on the Child Lock feature, press and hold button for 3 seconds. To turn off, press and hold again for 3 seconds.

NOTE: Device can be simultaneously controlled by remote control.



Fan Speed Indicator



UV light indicator



Auto operation indicator



Child Lock indicator



Sleep mode operation



Air quality indicator



Heavily Polluted	(PM2.5: 0-50)
Lightly Polluted	(PM2.5: 51-100)
Moderate	(PM2.5: 101-150)
Good	(PM2.5: 151-500)



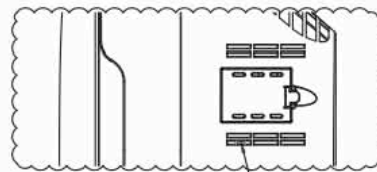
⚠ Sleep mode warning

When "SLEEP" button is pressed, the sleep mode indicator will blink for 10 seconds, then all LED light will turn off, but the appliance will keep operating in the previous settings. Press any button and the LED light will turn on. If the "SLEEP" button is not pressed to turn off the sleep mode, the indicator will blink for 10 seconds and return to sleep mode again.

⚠ Filter change indication

HEPA filter and Activated Carbon filters: After 4,320 hours (6 months) of operation, the "replace filter" light will turn on (blue). This means the HEPA and Activated Carbon filters need to be replaced. After replacing the filters, press the Reset button to reset the filter indicator.

Note: The HEPA filter and the activated carbon filter have a similar lifetime; therefore, they have to be replaced at the same time.



Reset Button



Filter replacement

⚠ Pre-filter maintenance

- The pre-filter can be washed by water directly. Make sure pre-filter is thoroughly dry before placing back into the unit.
- Do not use abrasive or sharp object to clean the pre-filter, which may cause damage.
- Pre-filter can be used for about 2 years.

⚠ HEPA and Activated Carbon filter maintenance and replacement

- Every three months, take off the HEPA and Activated Carbon filter, put it under the sun to dry. Use a vacuum cleaner or soft brush to clean the dust on the filter. It will help extend the life of the filter and keep the HEPA filter's performance.
- Both HEPA and Activated Carbon filters are not washable.
- The HEPA Activated Carbon filter can be used for about 1 year, but the actual life is based on the air quality condition and daily maintenance.



CLEANING AND MAINTENANCE

Product cleaning

- Make sure to unplug the unit before cleaning.
- Do not put the appliance into the water or use the water to wash directly.
- Do not use any corrosive or flammable detergent to clean the appliance.
- Use a soft cloth to clean the appliance, and make sure the appliance is thoroughly dry after cleaning.
- Regularly clean the inside and surface, to prevent dust from gathering.
- Regularly clean the air inlet and air outlet.
- Regularly clean the dust sensor by a cotton swab to protect its sensitiveness.

Dust sensor cleaning

Clean the dust sensor every month for optimal functioning of the appliance. Clean it more frequently if you use the appliance in a dusty environment.

1. Clean the dust sensor inlet and outlet with a soft brush.
2. Open the dust sensor cover.
3. Clean the dust sensor, the dust inlet and the dust outlet with a lightly moistened cotton swab.
4. Dry them with a dry cotton swab.
5. Reattach the air quality sensor cover.



Note: Do not use any corrosive or flammable detergent to clean the appliance, as this may cause damage to the unit.



⚠ When unit is not used for a prolonged period

- Pack and store the unit properly
- To restore the air cleaner to service:
 1. Clean the pre-filter and make sure it is dry.
 2. Use a soft cloth to clean the HEPA and Activated Carbon filters, and make sure these are completely dry.
 3. Use a soft cloth to clean the air inlet and air outlet.

⚠ Caution

With proper maintenance, your air purifier is designed to provide years of high efficiency air cleaning. Do not open the housing. Internal parts are not to be serviced by the user. Repairs should be done by authorized service personnel only.

TROUBLESHOOTING GUIDE

PROBLEM	SOLUTION
Unit shuts off unexpectedly or does not operate	Check that the unit is plugged into a working electrical outlet. Check that the filters are installed correctly. Check that the motor protector triggered. Unplug/replug into unit. Check that the Front Panel is latched firmly in place. Call Customer Service.
No air circulating from unit.	Unplug unit. Check filters. Clean Pre-filter if necessary. Replace Carbon and HEPA filters if necessary.
Increase in noise level.	Make sure the filters are clean. Replace if necessary.
Odors and smoke are not removed.	Clean or replace the filters if they appear to be heavily soiled.
The discharged air has an aroma or odor.	Check to see if the filters are heavily soiled. Replace the filters. Air Purifiers emit small traces of ozone which may produce an odor. The amount of ozone emitted by the ion generator is below the safety levels, and it is harmless.

SPECIFICATIONS

Model	TYL-CF8609
Voltage	220V~240V 60Hz
Power rated	≤64W
CADR smoke	282 CFM (US standard 0.1μm)
CADR dust	310 CFM (US standard 0.1μm)
CADR pollen	340 CFM (US standard 0.1μm)
Germ killed	99%
Noise	Low: <32dB, Mid: <45dB, High: < 57dB, Turbo:62dB
UV life	≥10000 H
Filter life	12 months (includes HEPA and Activated Carbon filter)
Weight	9.5 KG
Size	445 (L) x 238(W) x 680(H) mm
Coverage	≥50 m ²





www.tylrhome.com

