



INSTRUCTIONS MANUAL

TYL-BCD3290

TWO DOOR PERSONAL REFRIGERATOR

Compact • Cool • Convenient



www.tylrhome.com

Table of Contents

IMPORTANT SAFETY INSTRUCTIONS.....	2
PARTS AND FEATURES	7
BEFORE FIRST USE	8
Leveling your Refrigerator.....	8
Installing your Refrigerator	9
Aligning the Freezer Door.....	10
USING YOUR REFRIGERATOR.....	11
Setting the Temperature Control.....	11
Removing or Replacing the Slide-out Shelves	11
Using the Ice Cube Tray	12
CARE AND MAINTENANCE.....	12
Cleaning the Exterior	12
Cleaning the Interior.....	13
Defrosting your Refrigerator	13
Power Interruptions.....	14
Care During Vacations	14
Energy-Saving Tips	15
WARRANTY TERMS AND CONDITIONS	18

IMPORTANT SAFETY INSTRUCTIONS

When using electrical appliances, basic safety precautions should be followed to reduce the risk of fire, electric shock, and injury to persons or property. Read all instructions carefully before using any appliance.

1. This unit must be positioned so that the plug is accessible. Do not run cord over carpeting or other heat insulators. Do not cover the cord. Keep cord away from traffic areas, and do not submerge in water. No other appliance should be plugged into the same outlet and ensure that the plug is fully inserted into the receptacle.
2. The use of extension cord is not recommended as it may overheat and cause a risk of fire. If you must use an extension cord, use 1.5 mm² minimum size and rated no less than 1875 watts.
3. If the supply cord is damaged, it must be replaced by the manufacturer or its service agent or a similarly qualified person in order to avoid a hazard.
4. Repair or replace immediately all electric service cords that have become frayed or otherwise damaged. Do not use a cord that shows cracks or abrasion damage along its length, the plug or the connector end.
5. Disconnect the mains plug from the supply socket when not in use for a long term, where supply connection is via mains plug.

6. Never unplug you unit by pulling on the power cord. Always grasp the plug firmly and pull straight out from the outlet.
7. Do not use your unit outdoors. Keep the unit away from direct sunlight and make sure that there is at least 5 cm of space between the back of your unit and wall. Keep ventilation opening in the appliance enclosure or in the built-in structure, clear of obstruction.
8. If the unit is brought in from outside in the colder weather, give it a few hours to warm up to room temperature before plugging it in.
9. **WARNING:** This appliance must be earthed. Use the proper power source according to the nameplate.
10. **WARNING:** Keep ventilation openings, in the appliance enclosure or in the built-in structure, clear of obstruction.
11. **WARNING:** Do not use mechanical device or other means to accelerate the defrosting process, other than those recommended by the manufacturer.
12. **WARNING:** Do not damage the refrigerant circuit.
13. **WARNING:** Do not use electrical appliances inside the food storage compartments of the appliance, unless they are of the type recommended by the manufacturer.
14. **WARNING:** To avoid a hazard due to instability of the appliance, it must be placed on a flat and even surface.
15. This appliance is not intended for use by persons (including children) with reduced physical, sensory or mental capabilities, or lack of experience and knowledge, unless

- they have been given supervision or instruction concerning use of the appliance by a person responsible for their safety.
16. Children should be supervised to ensure that they do not play with the appliance.
 17. Do not store combustive substances such as aerosol cans with a flammable propellant in this appliance.
 18. Do not operate your refrigerator in the presence of explosive fumes.
 19. This appliance is intended to be used in household and similar applications such as:
 - staff kitchen areas in shops, offices and other working environments;
 - farmhouses and by clients in hotels, motels and other residential type environments;
 - bed and breakfast type environment;
 - catering and similar non-retail applications.
 20. When positioning the appliance, ensure the supply cord is not trapped or damaged.
 21. Do not locate multiple portable socket-outlets or portable power supplies at the rear of the appliance.
 22. This appliance can be used by children aged from 8 years and above and persons with reduced physical, sensory or mental capabilities or lack of experience and knowledge if they have been given supervision or instruction concerning use of the appliance in a safe way and understand the hazards involved.

23. Children shall not play with the appliance.
24. Cleaning and user maintenance shall not be made by children without supervision.
25. Place against a wall with a free distance not exceeding 7.5 cm.
26. Unplug your refrigerator before cleaning or before making any repairs. If for any reason this product requires service, we strongly recommend that a certified technician perform the service

**SAVE THESE INSTRUCTIONS.
FOR HOUSEHOLD USE ONLY.
NOT FOR COMMERCIAL USE.**

Important


The wires in this mains lead are colored in accordance with the following code:

Green and yellow: Earth

Blue: Neutral

Brown: Live

As the color of the wires in the mains lead of the appliance may not correspond with the colored markings identifying the terminal in your plug, proceed as follows:

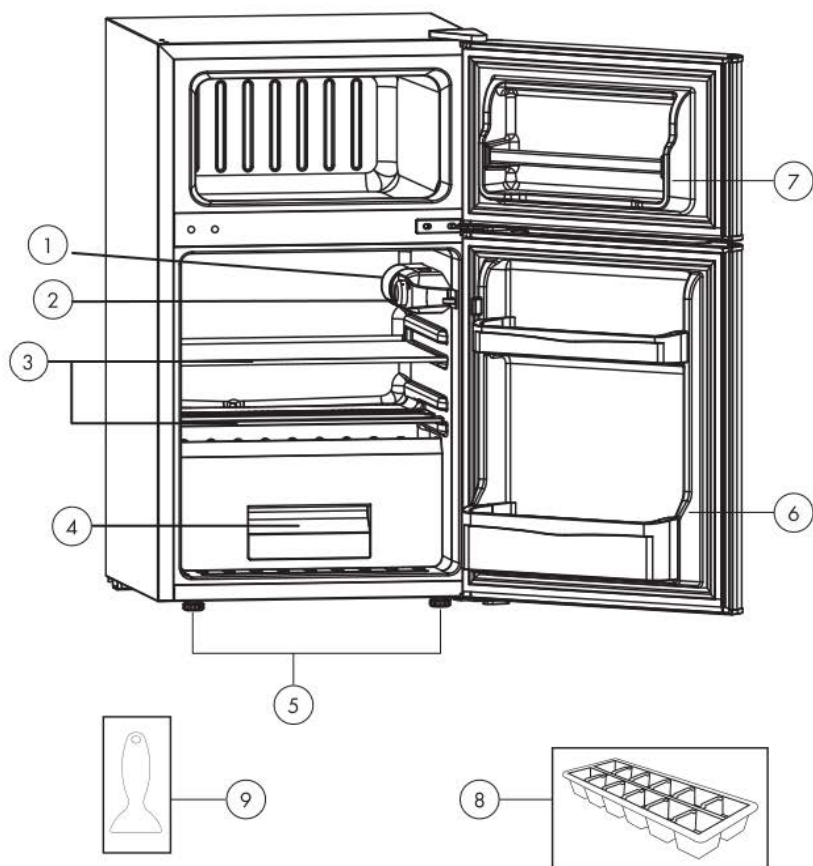
- The wire which is colored green and yellow must be connected to the terminal in the plug which is marked with the letter E, G or by symbol  or colored green or green-and-yellow.
- The wire which is colored blue must be connected to the terminal which is marked with the letter N.
- The wire which is colored brown must be connected to the terminal which is marked with letter L.

Disposal of your unit

DANGER! Risk of child entrapment. Before you throw away your old refrigerator or freezer:

- Take off the doors.
- Leave the shelves in place so that children may not easily climb inside.

PARTS AND FEATURES



1 – Interior Light

2 – Temperature Control

3 – Glass Shelves

4 – Crisper Drawer

5 – Front Leveling Legs

6 – Can and Bottle Bins

7 – Freezer Door Rack

8 – Ice Cube Tray

9 – Scraper

BEFORE FIRST USE

1. Remove all packaging material. This includes the foam base and all adhesive tape holding the refrigerator accessories inside and outside.
2. Inspect and remove any remains of packing, tape or printed materials before powering on the refrigerator.
3. Before connecting the unit to the power source, let it stand upright for approximately 2 hours. This will reduce the possibility of a malfunction in the cooling system from handling during transportation.
4. Clean the interior surface with lukewarm water using a soft cloth.

CAUTION: Risk of fire or explosion due to punctured refrigerant tubing. Flammable refrigerant used. Handle with care when moving the refrigerator to avoid either the refrigerant tubing or increasing the risk of a leak.

Leveling your Refrigerator

1. Your refrigerator has two leveling legs located at the front bottom corners of your refrigerator. After properly placing your refrigerator in its final position, you can level your refrigerator.
2. Leveling legs can be adjusted by turning them counterclockwise to raise your refrigerator or by turning them clockwise to lower your refrigerator. The refrigerator door will close easier when the leveling legs are extended.

Installing your Refrigerator

- This appliance is designed to be free standing only and should not be recessed or built-in.
- Place your unit on a floor that is strong enough to support the unit when it is fully loaded.
- To ensure your refrigerator works at the maximum efficiency it was designed for, install it in a location where there is proper air circulation, plumbing and electrical connections.

The following are recommended clearances around the refrigerator:

Sides – $\frac{3}{4}$ " (19 mm)

Top – 2" (50 mm)

Back – 2" (50 mm)

- Locate the unit away from direct sunlight and sources of heat (stove, heater, radiator, etc.). Direct sunlight may affect the acrylic coating and the heat source may increase electrical consumption. Extreme cold ambient temperatures may also cause the unit not to perform properly.
- Avoid locating the unit in moist areas.
- Plug the unit into an exclusive, properly installed-grounded wall outlet. Avoid the use of three-pronged adaptors and do not under any circumstances cut or remove the third (ground) prong from the power cord. Any questions concerning power and/or grounding should be directed toward a certified electrician.

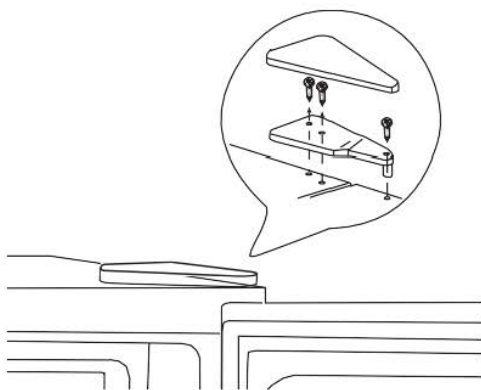
- After plugging the appliance into a wall outlet, allow the unit to cool down for 2-3 hours before placing food in the refrigerator and freezer compartments.

WARNING: USE OF EXTENSION CORDS - POTENTIAL SAFETY HAZARD

Avoid the use of an extension cord because of potential safety hazards under certain conditions. If it is necessary to use an extension cord, use only a 3-wire extension cord that has a 3-blade grounding plug and a 3-slot outlet that will accept the plug. The marked rating of the extension cord must be equal to or greater than the electrical rating of the appliance. **DO NOT USE EXTENSION CORDS LONGER THAN 12 FT.**

Aligning the Freezer Door

1. Remove the top hinge cover.
2. Loosen the top hinge screws using a Phillips screwdriver.
3. Adjust the door or put a spacer in between and then tighten the screws.
4. Replace the top hinge cover.



USING YOUR REFRIGERATOR

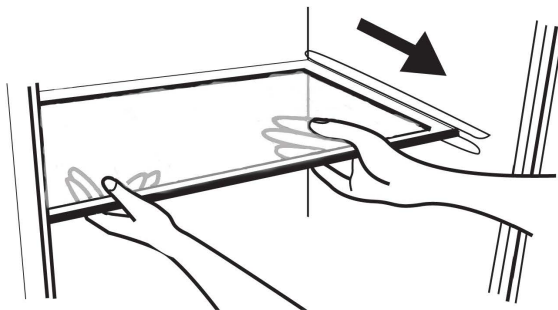
Setting the Temperature Control

- The temperature control setting range is from '0' to '7'.
- Turning the temperature control to '0' stops the cooling in both the refrigerator and freezer compartments.
- The freezer compartment temperature is preset and cannot be controlled by the thermostat.
- The first time you turn the unit on, set the temperature control to '4' and allow 24 hours before adjusting the temperature to suit your needs.

NOTE: *If the refrigerator has been placed in a horizontal or tilted position for any duration, wait 24 hours before plugging the unit.*

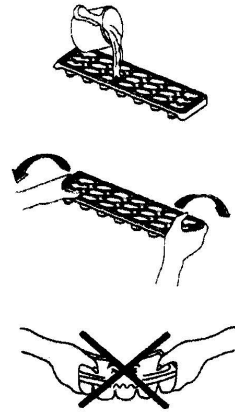
Removing or Replacing the Slide-out Shelves

- Gently tilt then shelf up and slide forward to remove shelf.
- To replace, gently slide the shelf back in.



Using the Ice Cube Tray

- Recommended temperature setting for making ice is '6'.
- Fill the ice cube tray two thirds with water place the tray on the bottom of the freezer compartment.
- Dry the tray thoroughly before placing; otherwise, it may stick to the bottom of the freezer.
- To remove the ice cubes from the tray, place tray over an ice bucket and twist slightly.



CARE AND MAINTENANCE

WARNING: To avoid electric shock, always unplug your refrigerator before cleaning. Not doing so may result in injury or death.

Cleaning the Exterior

Clean your refrigerator with lukewarm soapy water and a soft cloth. Rinse with clean water and then wipe the surface with a soft, clean cloth to remove any soap residue.

Cleaning the Interior

1. Prepare a cleaning solution of 3-4 tablespoons of baking soda mixed with warm water. Use a sponge or soft cloth, dampened with the cleaning solution, to wipe the inside surfaces.
 2. Clean the shelves and drawer with a soft cloth and warm soapy water.
 3. Rinse, then thoroughly dry all surfaces and removable parts. Avoid getting water on refrigerator controls.
 4. Keep the interior of your refrigerator always clean by promptly and thoroughly wiping up any food spills.
- Do not use harsh chemicals, abrasives, ammonia, chlorine bleach, concentrated detergents, solvents or metal scouring pads. Some of these chemicals may dissolve, damage and/or discolor your refrigerator.

Defrosting your Refrigerator

For maximum energy efficiency, defrost freezer compartment whenever frost accumulates to a thickness of 1/4" or more on the freezer walls.

1. To defrost, remove food and shelves from the refrigerator.
2. Turn temperature control setting to '0'. Defrosting may take a few hours. To speed up defrost time, keep the door open and place a bowl of warm water in the freezer.

3. During the defrost, water will accumulate. Use a towel to wipe off excess dripping water. Do not leave unattended.
4. After defrosting, discard water and wipe down the interior of the freezer and refrigerator.
5. You may now reset your refrigerator to the desired temperature.

CAUTION: Do not use boiling water because it may damage the plastic parts. In addition, never use a sharp or metallic instruments to remove frost as it may damage the cooling coils and will void the warranty. It is recommended to use the supplied plastic scraper.

Power Interruptions

Occasionally, there may be power interruptions due to thunderstorms or other causes. Remove the power cord from AC outlet when a power outage occurs. When power has been restored, plug power cord to AC outlet.

If outage occurs for a prolonged period, inspect and discard spoiled or thawed food in freezer and refrigerator. Clean refrigerator before turning on.

Care During Vacations

- Leave the unit operating during vacations of less than three weeks.
- For longer vacations or absences, remove all food and unplug the

power cord. Clean and dry the interior thoroughly. To prevent odor and mold growth, leave the door slightly opened.

Energy-Saving Tips

- The unit should be located in the coolest area of the room, away from heat producing appliances, and out of the direct sunlight.
- Let hot foods cool to room temperature before placing in the unit. Overloading the unit forces the compressor to run longer.
- Be sure to wrap foods properly, and wipe containers dry before placing them in the unit. This cuts down on frost build-up inside the unit.
- Refrigerator bins should not be lined with aluminum foil, wax paper, or paper toweling. Liners interfere with cold air circulation, making the unit less efficient.
- Organize and label food to reduce door openings and extended searches. Remove as many items as needed at one time, and close the door as soon as possible.

TROUBLESHOOTING

PROBLEM	POSSIBLE CAUSE AND SOLUTION
Unit does not operate.	<ul style="list-style-type: none">• Check if unit is plugged in.• Check if circuit breaker has tripped.• Check if temperature control is set at '0' position.
Refrigerator temperature is too warm.	<ul style="list-style-type: none">• Door is frequently opened.• Allow time for recently added warm food to reach refrigerator temperature.• Check gaskets for proper seal.• Adjust temperature control to colder setting.
Refrigerator temperature is too cold.	<ul style="list-style-type: none">• Adjust temperature control to warmer setting and allow several hours for temperature to adjust.
Unit seems to make too much noise.	<ul style="list-style-type: none">• The rattling noise may come from the flow of the refrigerant, which is normal.• As each cycle ends, you may hear gurgling sounds caused by the flow of refrigerant in your unit.• Contraction and expansion of the inside walls may cause popping and crackling noises.• The unit needs leveling.

<p>The door will not close properly.</p>	<ul style="list-style-type: none"> • Check if unit is not leveled. • Check if the door was reversed and not properly installed. • Check if the gasket is dirty. • Check if the shelves, bins, or baskets are obstructing.
<p>There is odor inside the refrigerator.</p>	<ul style="list-style-type: none"> • The interior may need cleaning • Some foods may produce strong odors and need to be tightly sealed.
<p>There is moisture build-up on the exterior or interior of the refrigerator.</p>	<ul style="list-style-type: none"> • This is normal during high humidity periods. • Door is frequently opened. • Check door gaskets for proper seal.

WARRANTY TERMS AND CONDITIONS

ONE-YEAR LIMITED WARRANTY ON PARTS AND LABOR

TYLR provides a warranty to the original purchaser of this product against defects in materials and workmanship for one year. If a product covered by this warranty is determined to be defective within the warranty period, **TYLR** will repair or replace the defective part with a new or remanufactured part free of charge subject to terms and conditions stated herein.

To obtain warranty service, proof of purchase in the form of a sales invoice or copy thereof is required to show that a product is within the warranty period. If any one of the documents cannot be produced, corresponding fees for labor and replacement parts will be charged.

Parts and Labor

There will be no charge for parts and labor during the warranty period. Replacement parts or units may be new or recertified and are upon **TYLR**'s option and sole discretion. Replacement parts and units are warranted for the remaining portion of the original warranty. Our decision on all questions relating to complaints as a result of defects, either workmanship or materials, shall be conclusive and you shall agree to abide by such decision. Any unit or defective part that have been replaced shall become **TYLR**'s property. After the lapse of this warranty, a charge will be made on all labor and replacement of parts.

Types of Services

Defective Products must be sent to any **TYLR** service center to obtain warranty service. **TYLR** is neither responsible for transportation costs to the service center nor **TYLR** will cover return shipping to the customer. Product returns to **TYLR** service centers must utilize either the original carton box and shipping material or packaging that affords an equal degree of protection.

For home service, the transportation fee of **TYLR** service personnel will be charged to the customer, depending on the location. Our service personnel reserve all rights to refuse to attend to any equipment installed in an inaccessible location or any other hazardous situation.

LIMITATIONS AND EXCLUSIONS

TYLR one-year limited warranty only covers defects in materials and workmanship; however, this warranty does not cover the following:

1. Damage resulting from accidents, transport, misuse, abuse, alteration, tampering, or failure of the purchaser to follow normal operating procedures outlined in the user's manual.
2. Damage caused by negligence and poor maintenance.
3. Defects or damage due to spillage of food/liquids or improper usage of electrical supply or electrical circuit, major fluctuations in voltage, exposure to rain or moisture, wrong fuel or oil used.
4. Damage, losses, and defects as a result of fire, flood, or other Acts of God.
5. Normal wear-and-tear, corrosion, rusting, or stains.

6. Defects & damage arising from improper testing, operation, usage of the wrong component, demonstration, maintenance, installation, adjustment, or any alteration or modification of any kind.
7. Scratches & damage to the outer surface areas and externally exposed parts that are due to normal customer use.
8. General maintenance & routine servicing.
9. Claims for damaged/missing parts after 7 days from the date of purchase.
10. If any part or parts of the unit are replaced with a part or parts not supplied or approved by us, or if the unit has been dismantled or repaired by any person other than a **TYLR** authorized technician.
11. Any equipment/product which has its serial number removed or made illegible/tampered with.
12. If the warranty card is altered, defaced, or erased in any manner whatsoever.
13. If the unit is used for purposes other than household use, such as commercial use.

The two (2) year warranty period covers the compressor and one (1) year for the mainboard, control switch and power supply. However, this warranty does not cover parts (i.e. accessories, trays, door gasket, doors, hinges, shelves, drawer, bins, interior and exterior casing) that are subject to wear and tear, rust, stains, or corrosion.

This one-year limited warranty does not cover Products sold “**AS IS**”, “**FACTORY RECTIFIED**”, or by a non-authorized reseller.

THERE ARE NO EXPRESS WARRANTIES OTHER THAN THOSE LISTED OR DESCRIBED ABOVE. ANY IMPLIED WARRANTIES,

INCLUDING ANY IMPLIED WARRANTY OF MERCHANTABILITY AND FITNESS FOR A PARTICULAR PURPOSE, SHALL BE LIMITED IN DURATION TO THE PERIOD OF TIME SET FORTH ABOVE. **TYLR'S** TOTAL LIABILITY FOR ANY AND ALL LOSSES AND DAMAGES RESULTING FROM ANY CAUSE WHATSOEVER INCLUDING **TYLR'S** NEGLIGENCE, ALLEGED DAMAGE, OR DEFECTIVE GOODS, WHETHER SUCH DEFECTS ARE DISCOVERABLE OR LATENT, SHALL IN NO EVENT EXCEED THE PURCHASE PRICE OF THE PRODUCT. **TYLR** SHALL NOT BE RESPONSIBLE FOR LOSS OF USE, COMMERCIAL LOSS, LOST REVENUE OR LOST PROFITS, OR OTHER INCIDENTAL OR CONSEQUENTIAL DAMAGES. THIS WARRANTY IS SUBJECT TO CHANGE WITHOUT NOTICE.

IMPORTANT: Please present sales invoice as proof of purchase whenever you require our service during the warranty period.

www.tylrhome.com