



# INSTRUCTIONS MANUAL

TYL-Q2H1300B

## 3in1 Pressure Washer & Wet/Dry Vacuum Cleaner + Blower

The triple-task tool for all-around cleaning



[www.tylrhome.com](http://www.tylrhome.com)



## Table of Contents

<b>IMPORTANT SAFETY INSTRUCTIONS .....</b>	<b>2</b>
<b>PARTS AND FEATURES .....</b>	<b>13</b>
<b>ASSEMBLING YOUR PRESSURE WASHER/VACUUM .....</b>	<b>15</b>
Connecting as Pressure Washer .....	15
Connecting as Vacuum Cleaner/Blower .....	17
<b>OPERATING YOUR PRESSURE WASHER/VACUUM.....</b>	<b>18</b>
<b>Using as Pressure Washer .....</b>	<b>18</b>
Using the Adjustable Spray Nozzle.....	20
Taking a Break .....	20
Shutting Down.....	20
<b>Using as Vacuum Cleaner/Blower.....</b>	<b>21</b>
Vacuum Mode .....	21
Blower Mode .....	23
Draining the Dust Tank.....	23
<b>TRANSPORTING YOUR PRESSURE WASHER/VACUUM ..</b>	<b>25</b>
<b>CLEANING AND MAINTENANCE.....</b>	<b>26</b>
Cleaning the Adapter Filter and Nozzle .....	26
Cleaning and Changing the Dust Filter .....	26
Storage.....	28
Frost Protection .....	29
<b>TROUBLESHOOTING .....</b>	<b>30</b>

**WARRANTY TERMS AND CONDITIONS..... 32**

## IMPORTANT SAFETY INSTRUCTIONS

When using electrical appliances, basic safety precautions should be followed, including the following:

**WARNING!** This indicates a hazardous situation, which, if not avoided, could result in death or serious injury.

**CAUTION!** This indicates a hazardous situation, which, if not avoided, could result in minor or moderate injury.

**DANGER!** This indicates a hazardous situation, which, if not followed, will result in death or serious injury.

### General Safety

**WARNING!** This appliance is not intended for use by children or by unassisted, unsupervised persons whose physical, sensory, or mental capabilities prevent them from using it safely. Children should be supervised to ensure that they do not play with the appliance.

When using the pressure washer + wet/dry vacuum, basic safety precautions should always be followed to reduce the risk of fire, electric shock, and personal injury. These include:

- Keep work area clean and well-lit – Cluttered, dark areas invite accidents.
- Know your product – Know how to stop the machine and bleed pressure quickly. Thoroughly familiarize yourself with the controls.

- Keep bystanders away – All visitors and pets should be kept a safe distance away from the work area.
- Use the right product – Do not use this machine for any job except that for which it is intended.
- Dress properly – Do not wear loose clothing or jewelry. They can get caught in moving parts. Protective rubber gloves and non-slip footwear are recommended when working outdoors.
- **CAUTION!** – Exercise caution to avoid slipping or falling. Wear protective footwear that will protect your feet and improve your footing on slippery surfaces.
- Stay alert – Watch what you are doing. Use common sense. Do not operate the pressure washer + wet/dry vacuum when you are tired, or under the influence of alcohol or drugs.
- **WARNING!** Risk of Injection or Injury – Do not direct discharge stream at persons.
- Do not overreach or stand on unstable support. Always keep good footing and balance.
- Avoid unintentional starting – Do not carry a plugged-in machine with your finger on the trigger. Make sure the switch is off before plugging in the machine.
- Do not abuse the cord – Never carry the machine by the cord or yank the cord to disconnect it from the receptacle. Keep the cord away from heat, oil, and sharp edges.
- Use safety glasses – Also use safety footwear, snug-fitting clothing, protective gloves, and hearing and head protection.
- Store indoors – NEVER store the pressure washer + wet/ dry vacuum outdoors or where it could freeze. The pump could be seriously damaged.
- Inspect electrical cables – The insulation of the power cord should

be perfectly intact. If the power cord is damaged or shows any signs of wear or tear, do not use the machine. Contact your authorized service center.

**WARNING!** Do not use this appliance without reading this instruction manual.

**WARNING!** Do not use the appliance within range of other people unless they are wearing protective clothing.

- Disconnect the tool – Disconnect from the electrical power supply before performing any maintenance task.
- Keep children away – This high-pressure electric pressure washer + wet/dry vacuum must not be used by children or untrained personnel.
- To ensure appliance safety, use only original replacement parts from the manufacturer or those approved by the manufacturer.

**WARNING!** During cleaning, maintenance, or when replacing parts, disconnect the machine from its power source by removing the plug from the socket outlet.

- Check for damaged parts – Do not use the appliance if the supply cord or other important parts of the appliance are damaged (e.g. safety devices, high-pressure hoses, trigger gun).

**WARNING!** If an extension cord is used, the plug and socket must be of watertight construction.

**NOTE:** It is not recommended to use an extension cord with this pressure washer + wet/dry vacuum.

**WARNING!** Inadequate extension cords can be dangerous.

**WARNING!** Power cords on drums should always be completely unwound to prevent the cord from overheating.

- Power cord connections should be kept dry and off the ground.
- If the power cord is damaged, do not use the appliance. Contact your authorized service center
- Keep the machine on a stable, flat surface during operation, handling, transportation, and storage. Sudden overturn of the machine can cause bodily injury.
- In the event of an accident or breakdown, switch off the machine immediately. (If contact with detergent occurs, rinse with an abundance of clean water.)

## **General Safety for Pressure Washer**

**WARNING!** When using as pressure washer, high pressure jets can be dangerous if subject to misuse. The jet must not be directed at persons, pets, live electrical equipment, or the appliance itself.

**WARNING!** Water that has flowed through backflow preventers is considered to be non-potable.

**WARNING!** High-pressure hoses, fittings, and couplings are important for the safe operation of the appliance. Use only hoses, fittings, and couplings recommended by the manufacturer.



**CAUTION!** To prevent damage to the appliance, do not allow it to operate dry. Before starting the appliance, make sure that it has proper and stable supply of water.

- Check the water temperature – This pressure washer is not meant to pump hot water. NEVER connect it to a hot water supply as it will significantly reduce the life of the pump.
- Do not direct the jet at yourself or others to clean clothes or footwear.
- Risk of explosion – Do not spray flammable liquids.
- This high-pressure electric pressure washer must not be used at temperatures below 32°F (0°C).

## **General Safety for Wet/Dry Vacuum**

**DANGER!** Do not manually place objects into the vacuum inlet while operating the unit as this can seriously damage the unit and/or harm the operator. Keep both hands away from the air inlet while the power is on.

**DO NOT ATTEMPT** to remove material or hold material to be vacuumed when the wet/dry vacuum is on. Make sure the wet/ dry vacuum is off when clearing jammed material from the vacuum inlet.

**CAUTION!** Do not operate the wet/dry vacuum without the dust tank properly attached. If the dust tank is not properly attached, the machine may unintentionally move forward and throw out objects through the blowout opening and cause injury.

**WARNING!** To reduce the risk of fire, electric shock, or injury:

- Do not leave appliance when plugged in. Unplug from outlet when not in use and before servicing.
- Do not expose to rain. Store indoors.
- Do not allow to be used as a toy. Close attention is necessary when used by or near children.
- Use only as described in this manual. Use only manufacturer's recommended attachments.
- Do not use with damaged cord or plug. If appliance is not working as it should, has been dropped, damaged, left outdoors, or dropped into water, contact your authorized service center).
- Do not pull or carry by cord, use cord as a handle, close a door on cord, or pull cord around sharp edges or corners. Do not run appliance over cord. Keep cord away from heated surfaces.
- Do not unplug by pulling on cord. To unplug, grasp the plug, not the cord.
- Do not handle plug or appliance with wet hands.
- Keep hair, loose clothing, fingers, and all parts of body away from openings and moving parts.
- Turn off all controls before unplugging.
- Use extra care when cleaning on stairs.
- Do not use to pick up flammable or combustible liquids, such as gasoline, or use in areas where they may be present.
- Maintain the wet/dry vacuum with care – Keep the air inlet/outlet clear and clean for optimal performance and to reduce the risk of injury. Keep the housing dry, clean, and free from oil and grease. Follow the additional recommendations described in the maintenance section of this manual.
- Avoid dangerous environments – Do not use the wet/ dry vacuum in rain, damp, or wet locations. Do not operate the wet/dry vacuum

in gaseous or explosive atmospheres or use the wet/dry vacuum to pick up flammable or combustible liquids. Motors in these tools normally spark, and the sparks might ignite fumes.

- Keep firm footing and maintain good balance at all times. Do not overreach. Overreaching can result in loss of balance.
- Do not pick up anything that is burning or smoking, such as cigarettes, matches or hot ashes.
- Do not use without the dust compartment or filters in place.
- Do not put any object into the tool's openings. Do not use the tool with any opening blocked; keep openings free of dust, lint, hair, or any other object that may reduce air flow.
- Check the work area before each use. Remove all objects such as rocks, broken glass, nails, wire, or string which can be thrown or become entangled in the machine.
- Prevent cords, plastic bags, or similar items from getting sucked in. This may cause an overload or blocking of the motor.

## **Electrical Safety**

### **DANGER!**

- Risk of electric shock.
- Never touch the mains plug and the socket with wet hands.
- Check the power cord with mains plug for damage prior to every use. Do not use the machine if a supply cord or important parts of the machine are damaged, e.g. safety devices, high pressure hoses, trigger gun.
- All current-conducting parts in the working area must be protected

against jet water.

- The mains plug and the coupling of an extension cable must be watertight and must never lie in water. Moreover, the coupling may never lie on the ground. The use of cable reels that ensure that the sockets are at least 60 mm above the ground is commended.
- If the supply cord is damaged, it must be replaced by the manufacturer or its service agent or a similarity qualified person in order to avoid a hazard.
- Make sure that the power cord or extension cable is not damaged by running over, pinching, dragging or the like. Protect the power cords from heat, oil, and sharp edges.
- Always switch off the mains disconnecting switch when leaving the appliance unattended.

## **WARNING!**

- The appliance may only be connected to alternate current. The voltage must correspond with the type plate of the appliance.
- For safety reasons, we recommend that you operate the appliance only via a residual current device (max. 30mA).
- An unsuitable electrical extension cable can be hazardous. Only use an electrical extension cable which has been approved and labeled for this purpose and has an adequate cable cross-section outdoors: 1 - 10 m: 1.5 mm<sup>2</sup>; 10 - 30 m: 2.5 mm<sup>2</sup>
- Always fully unreel the extension cable from the cable drum.
- An unsuitable electrical extension cable can be hazardous.

## **Safety Device**

Safety installations serve the protection of the user and may not be modified.

**Power Switch** - The appliance switch prevents unintentional operation of the appliance.

**Lock Trigger Gun** - This lock locks the lever of the trigger gun and prevents the inadvertent start of the appliance. Water that has flowed through backflow preventers is considered to be non-potable.

**Pressure Switch** - If the lever on the trigger gun is released the pressure switch turns off the pump, the high pressure jet is stopped. If the lever is pulled the pump is turned on again.

**Motor Protection Switch** - The motor protection switch off the device if the power consumption is high.

**Personal Protective Equipment** - Wear protective clothing and safety goggles to protect against splash back containing water or dirt. During the use of pressure washer aerosols can develop. Inhaling aerosols can cause health damage.

Depending on the application, completely shielded nozzles (e.g. surface cleaner) that significantly reduce the emission of aqueous aerosols can be used for high-pressure cleaning. The use of such shielding is not possible with all applications.

## Usage and Application

- This electric high-pressure washer is intended for residential use only. It is designed for medium-to-heavy duty cleaning jobs on boats, motorcycles, RV's, ATV's, trailers, decks, barbecues, siding, patio furniture, and more.
- This electric wet/dry vacuum is designed to clean hard surfaces as paved paths, courtyards, and terraces. It is only suitable for vacuuming light materials such as grass, leaves, small twigs, and pieces of paper. The vacuuming of heavy materials such as metal, stones, branches, and broken glass is expressly excluded.
- Never use the machine in potentially explosive areas under any circumstances!
- The operating temperature must be between 32°F (0°C) and 104°F (40°C). • The machine consists of an assembly with a pump, which is encased in a shock-absorbing housing. To provide the operator with an optimal working position, the machine is equipped with a spray wand and a non-slip handle grip, whose shape and configuration comply with applicable regulations.
- Do not cover or modify the spray wand or the spray nozzle in any way.
- The high-pressure electric power washer is designed to be used with cold or lukewarm water; higher temperatures can damage the pump.
- Do not use water that is dirty, gritty, or contains any chemical products, as such impurities could impair operation and shorten the life of the machine.
- **IMPORTANT:** Only use water without any impurities for the pressure washer. If there is a risk of running sand into the inlet

water (i.e. from your own well), an additional filter should be installed.

**SAVE THESE INSTRUCTIONS. FOR HOUSEHOLD USE ONLY.  
NOT FOR COMMERCIAL USE.**

## PARTS AND FEATURES





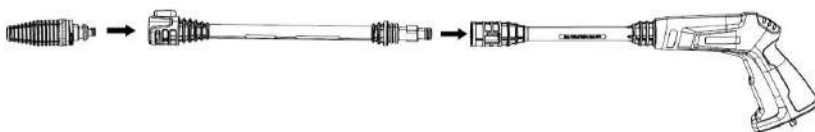
- 1 Trigger Gun
- 2 Telescopic Handle
- 3 High-pressure Hose
- 4 Trigger Safety Lock (not seen)
- 5 Trigger Gun Holder/Accessories Holder
- 6 Wheel
- 7 Water Inlet
- 8 Air Inlet
- 9 Dust Tank
- 10 ON/OFF Dial
- 11 Trigger Gun/Accessories Holder
- 12 Nozzle Holders
- 13 Water Inlet Coupler with Sieve
- 14 Cleaning Pin
- 15 Turbo Spray Nozzle
- 16 Spray Wand
- 17 Trigger Gun
- 18 Crevice Nozzle with Dusting Brush
- 19 All-purpose Brush
- 20 Long Crevice Nozzle
- 21 Adjustable Spray Nozzle
- 22 Air Outlet
- 23 Vacuum Hose

## ASSEMBLING YOUR PRESSURE WASHER/VACUUM

### Connecting as Pressure Washer

1. Fit the desired nozzle into the spray wand, then fit the spray wand into the trigger gun and rotate it until the two parts are completely locked.

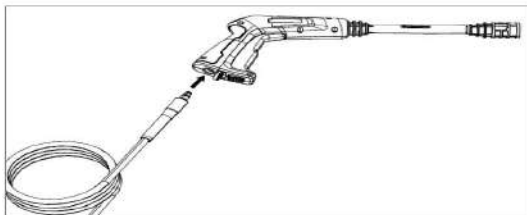
#### Turbo Spray Nozzle

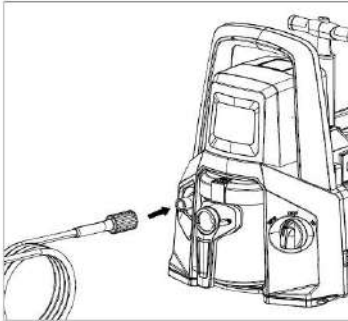


#### Adjustable Spray Nozzle



2. Connect the silver end of the high-pressure hose to the trigger gun and twist the nut clockwise to secure the connection.



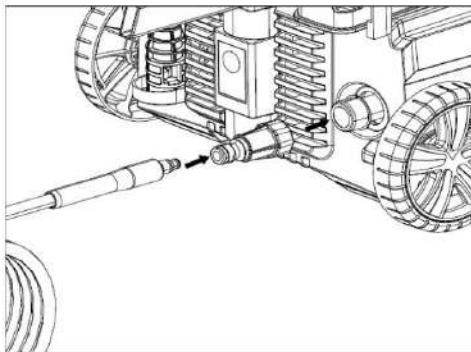


3. Connect the other end of the high-pressure hose to the water outlet on the appliance and twist the black rotatable end-piece to secure the connection.

**WARNING!** Keep hose away from sharp objects. Bursting hoses may cause injury. Examine hoses regularly and replace if damaged. Do not attempt to mend a damaged hose.

4. Screw the water inlet coupler (with sieve inside) to the water inlet of the appliance, then insert the garden hose (male end) into the water inlet coupler.

**NOTE:** The appliance is not suitable for connection to the potable water main.

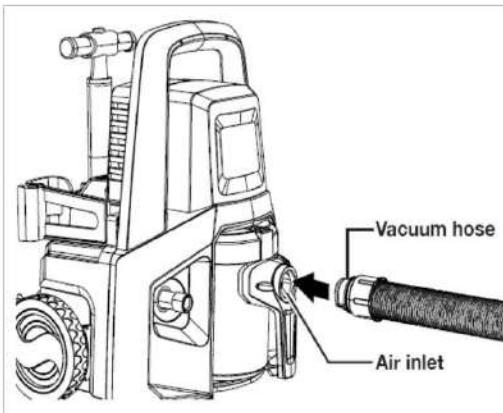


5. Attach garden hose to water supply.

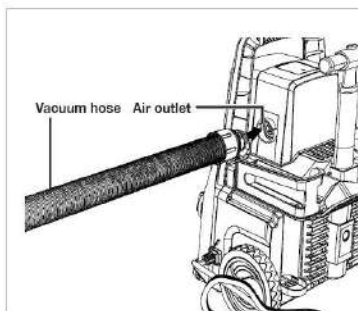
## Connecting as Vacuum Cleaner/Blower

**WARNING!** Make sure the unit is not connected to power and is switched off before assembly.

1. To use the appliance as a vacuum, insert the vacuum hose into the air inlet, and twist clockwise to secure.



2. To use the appliance as a blower, insert the vacuum hose into the air outlet, and twist clockwise to secure.



## OPERATING YOUR PRESSURE WASHER/VACUUM

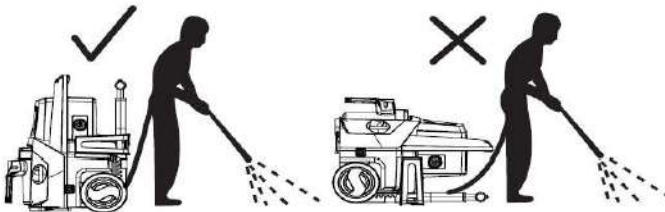
### Using as Pressure Washer

**WARNING!** The intake water temperature must not exceed 104°F/40°C. The water supply must not exceed 0.7 MPa.

**CAUTION!** The washer must only be used with clean water; use of unfiltered water containing corrosive chemicals will damage the washer.

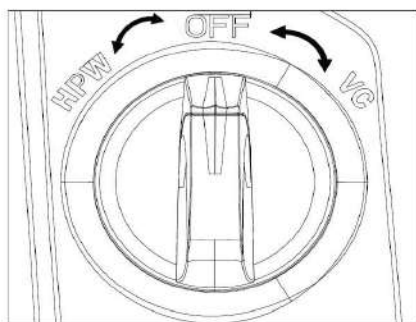
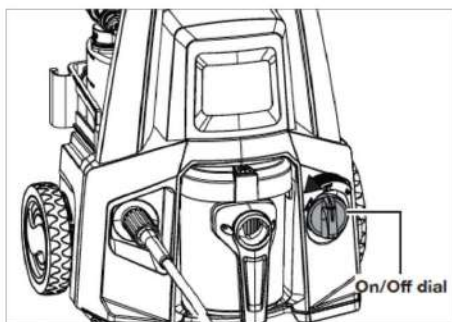
**ATTENTION!** Dry running of more than 2 minutes leads to damage of the high-pressure pump. If the appliance does not build up pressure within 2 minutes, switch the appliance off and refer to instructions in the section on “Troubleshooting.”

1. Position the appliance as close as possible to the water supply.
2. The appliance must be used on a secure and stable surface in a standing, upright position.



3. Plug the appliance into a power supply. Make sure the unit is switched off before plugging the unit into the power outlet.

4. Open the water supply.
5. Hold the trigger gun with both hands. Direct the nozzle towards surface to be cleaned.
6. Release the trigger safety lock, then press the trigger for a few seconds until the water flow is without bubbles. Operating the pressure washer in this manner will allow air to escape and discharge residual pressure in the hose.
7. Release the trigger.
8. Turn the dial to “HPW” mark.

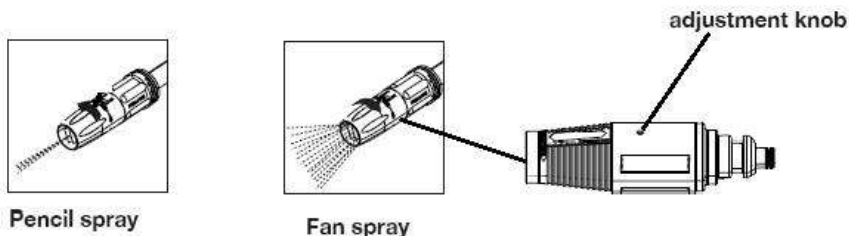


9. Hold the trigger gun with both hands. Direct the water jet to the surface to be cleaned and press the trigger.

**WARNING!** Beware of kickback when pressing the trigger.

## Using the Adjustable Spray Nozzle

The nozzle tip can be adjusted from pencil spray (narrow tip) to fan spray (wide open tip) by turning the nozzle tip adjustment knob.



## Taking a Break

1. Engage the trigger safety lock.
2. Place the trigger gun in its holder.

**NOTE:** *During longer breaks of more than 5 minutes, turn the dial to OFF position.*

## Shutting Down

1. Turn the dial to the OFF position and unplug the power cord from the outlet.
2. Turn off the water source.
3. Press the trigger to release pressure, then release the trigger and engage the trigger safety lock.

4. Disconnect the garden hose from the water inlet of the appliance.
5. Disconnect the high-pressure hose connection from the trigger gun handle.

**WARNING!** *Turn off the water supply and press the trigger to depressurize the unit. Failure to do so could result in personal injury due to discharge of high-pressure water.*

**ATTENTION:** *When disconnecting the water supply or high-pressure hose after use, water may leak from the connections.*

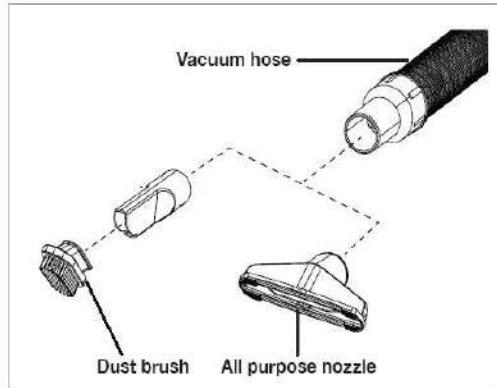
## **Using as Vacuum Cleaner/Blower**

**WARNING!** *Do not pick up flammable, combustible, or hot materials. Do not use around explosive liquids or vapors, as electrical devices produce arcs or sparks which can cause a fire or explosion. Do not use at filling stations or anywhere gasoline is stored or dispensed.*

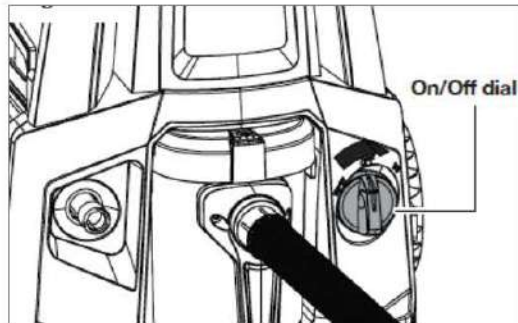
### **Vacuum Mode**

1. Make sure the dust tank and filter are installed properly.
2. Make sure the vacuum hose is installed properly and locked securely in the air inlet (refer to section on **Connecting as Vacuum Cleaner/Blower**).
3. Select the desired accessory, connect it with the other end of the hose, and press firmly to secure.





4. Plug the appliance into a power outlet.
5. Turn the dial to the "VC" mark.



6. During vacuuming, always use the vacuum hose. Hold the hose at a distance of approximately 1cm above the material to be vacuumed.
7. When the vacuuming job is done, turn the dial to the OFF position and unplug the power cord. Disassemble and store all accessories.

## **Blower Mode**

1. Make sure the vacuum hose is installed properly and locked securely in the air inlet (refer to section on **Connecting as Vacuum Cleaner/Blower**).
2. Select the desired accessory, connect it with the other end of the hose, and press firmly to secure.
3. Plug the unit into a power outlet.
4. Turn the dial to the "VC" mark.

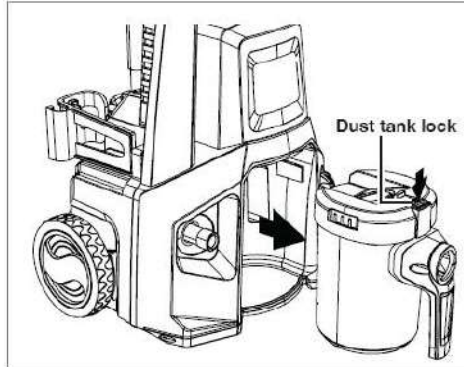
**NOTE:** *During the blowing process, keep the air inlet clear to maintain stable air flow.*

5. When the vacuuming job is done, turn the dial to the OFF position and unplug the power cord. Disassemble and store all accessories.

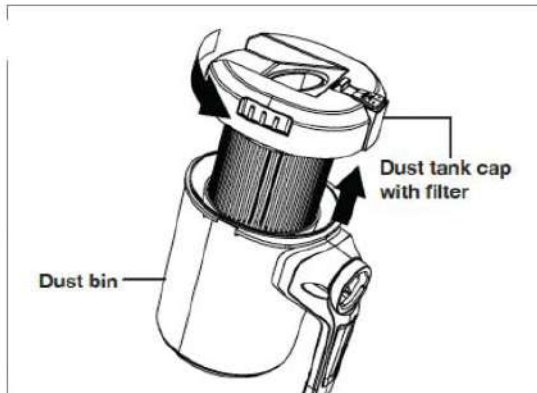
## **Emptying the Dust Tank**

The dust tank needs to be emptied every time after using to avoid deterioration and obstructing air flow, which will reduce the performance of the vacuum. Follow the instructions below to clean the dust tank.

1. Switch off and unplug the appliance.
2. Press the dust tank lock and pull out the dust tank at the same time.



3. Grab the dust tank cap and turn it counterclockwise. The dust tank cap with filter can now be removed from the dust bin.

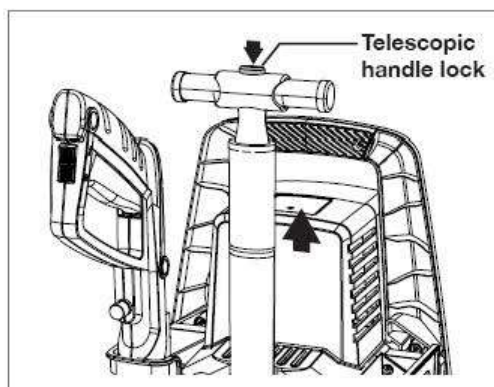


4. Remove any debris or dust from the dust bin. Rinse the dust bin with warm water if needed. Replace the dust tank cap with filter and lock the dust bin securely in the appliance before using.

## TRANSPORTING YOUR PRESSURE WASHER/VACUUM

**CAUTION!** Risk of personal injury or damage! Mind the weight of the appliance during transport.

- Switch the appliance off and disconnect it from the water and power supply.
- Lift the appliance by its transport handle. If needed, push the telescopic handle lock to use the telescopic handle at the back.
- Protect the appliance from any heavy impact or strong vibrations which may occur during transportation in vehicles.



## **CLEANING AND MAINTENANCE**

**CAUTION!** Before working on the pressure washer + wet/dry vacuum, disconnect the plug from the power supply socket.

### **Cleaning the Sieve and Nozzles**

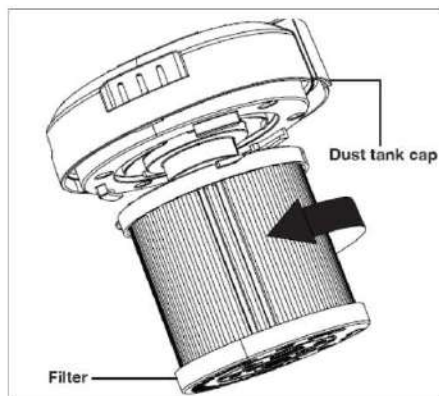
1. To ensure good performance, check and clean the sieve inside the water inlet coupler. Remove the coupler from the water inlet, then pull out the sieve from the coupler.
2. Rinse sieve under running water, then reinsert sieve into the water inlet.
3. Clean the nozzle/s with the cleaning pin tool provided. Remove any dirt from the nozzle hole/s and rinse.

### **Cleaning and Changing the Dust Filter**

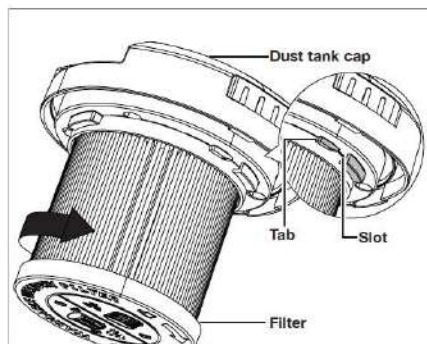
**WARNING!** *Use only original manufacturer's replacement parts, accessories, and attachment. Failure to do so can cause possible injury and poor performance.*

1. Press the dust tank lock, then then remove the dust tank from the appliance.
2. Separate the dust bin from the dust tank cap. Turn the dust tank cap to the right until the mark on the cap aligns with the hollow circle marked on the bin, then lift the cap.

3. Holding the dust tank cap, twist the filter counterclockwise to disassemble it from the cap.



4. Clean the filter by gently tapping or brushing dirt off. If needed, wash the filter under running water and let it air dry before reusing. For optimal performance, it is recommended to regularly replace the filter.
5. To assemble a new filter, fit it onto the dust tank cap as shown, and twist clockwise to insert the tabs on the filter into the slots on the cap.



6. Recap the dust bin with the dust tank cap + filter assembly and twist clockwise to secure. Replace the fully assembled dust tank before operation.

## **Storage**

- Park the appliance on an even surface.
- Detach spray wand from the trigger gun.
- Push the detach button on the trigger gun and remove the high-pressure hose from the trigger gun.
- Place the trigger gun and spray wand in their respective holders.
- Coil the high-pressure hose and hang it over the telescopic handle.
- Store the vacuum nozzles in the nozzle holders.
- Store other remaining accessories with the appliance.
- Prior to extended storage periods, as during the winter, also observe the instructions in the **Cleaning and Maintenance**.
- Always store the appliance, parts, and accessories in a place that is inaccessible to children. The ideal storage temperature is between 10°C and 30°C. Store the appliance indoors to prevent the water in the unit from expanding under freezing conditions.
- We recommend use original package for storage or covering the product with a suitable cloth or enclosure to protect it against dust.

## Frost Protection

**ATTENTION!** *Appliance and accessories that are not completely drained can be destroyed by frost. Completely drain appliance and accessories and protect them against frost. To avoid damage:*

- Detach the appliance from the water supply.
- Detach spray wand from the trigger gun.
- Turn on the On/Off dial to “HPW.”
- Press the trigger until no further water is discharged, then release the trigger and engage the trigger safety lock.
- Turn off the appliance On/Off dial to “OFF.”
- Store the appliance and all accessories in a frost-free room.



## TROUBLESHOOTING

Problem	Possible Cause	Recommended Action
Appliance does not start.	<ul style="list-style-type: none"> <li>• Machine is not plugged in.</li> <li>• Socket is defective.</li> <li>• Fuse has blown</li> <li>• Extension cord is defective.</li> </ul>	<ul style="list-style-type: none"> <li>• Plug in machine.</li> <li>• Try another socket.</li> <li>• Replace fuse. Switch off other machines.</li> <li>• Try the unit without the extension cord.</li> </ul>
Pressure is fluctuating.	<ul style="list-style-type: none"> <li>• Pump is sucking air.</li> <li>• Valves are dirty, worn out, or stuck.</li> <li>• Pump seals are worn out.</li> </ul>	<ul style="list-style-type: none"> <li>• Check that hoses and connections are airtight.</li> <li>• Clean and replace or refer to service center.</li> <li>• Clean and replace or refer to service center.</li> </ul>
Appliance stops running.	<ul style="list-style-type: none"> <li>• Mains voltage is incorrect.</li> <li>• Thermal sensors are activated.</li> <li>• Nozzle is partially blocked.</li> </ul>	<ul style="list-style-type: none"> <li>• Check that the mains voltage corresponds to specification on the rating label.</li> <li>• Leave the washer for 5 minutes to cool down.</li> <li>• Clean the nozzle.</li> </ul>
Appliance does not build up pressure.	<ul style="list-style-type: none"> <li>• Air in inlet hose.</li> </ul>	<ul style="list-style-type: none"> <li>• Allow machine to run with open trigger until regular working pressure resumes.</li> </ul>

	<ul style="list-style-type: none"> <li>• Inadequate supply of mains water.</li> <li>• Nozzle is partially blocked.</li> <li>• Water filter is blocked.</li> <li>• Hose is kinked.</li> </ul>	<ul style="list-style-type: none"> <li>• Check that the water supply corresponds to specifications required NB! Avoid using long, thin hoses (min. 1/2")</li> <li>• Clean the nozzle.</li> <li>• Clean the filter</li> <li>• Straighten out the hose.</li> </ul>
Machine starts, but no water comes out.	<ul style="list-style-type: none"> <li>• Pump/hoss or accessory is frozen.</li> <li>• No water supply.</li> <li>• Water filter/ nozzle is blocked.</li> </ul>	<ul style="list-style-type: none"> <li>• Wait for pump/hose or accessory to thaw.</li> <li>• Connect inlet water supply.</li> <li>• Clean the water filter/nozzle.</li> </ul>

## **WARRANTY TERMS AND CONDITIONS**

### **ONE-YEAR LIMITED WARRANTY ON PARTS AND LABOR**

**TYLR** provides a warranty to the original purchaser of this product against defects in materials and workmanship for one year. If a product covered by this warranty is determined to be defective within the warranty period, **TYLR** will repair or replace the defective part with a new or remanufactured part free of charge subject to terms and conditions stated herein.

To obtain warranty service, proof of purchase in the form of a sales invoice or copy thereof is required to show that a product is within the warranty period. If any one of the documents cannot be produced, corresponding fees for labor and replacement parts will be charged.

#### **Parts and Labor**

There will be no charge for parts and labor during the warranty period. Replacement parts or units may be new or recertified and are upon **TYLR**'s option and sole discretion. Replacement parts and units are warranted for the remaining portion of the original warranty. Our decision on all questions relating to complaints as a result of defects, either workmanship or materials, shall be conclusive and you shall agree to abide by such decision. Any unit or defective part that have been replaced shall become **TYLR**'s property. After the lapse of this warranty, a charge will be made on all labor and replacement of parts.

## Types of Services

Defective Products must be sent to any **TYLR** service center to obtain warranty service. **TYLR** is neither responsible for transportation costs to the service center nor **TYLR** will cover return shipping to the customer. Product returns to **TYLR** service centers must utilize either the original carton box and shipping material or packaging that affords an equal degree of protection.

For home service, the transportation fee of **TYLR** service personnel will be charged to the customer, depending on the location. Our service personnel reserve all rights to refuse to attend to any equipment installed in an inaccessible location or any other hazardous situation.

## LIMITATIONS AND EXCLUSIONS

**TYLR** one-year limited warranty only covers defects in materials and workmanship; however, this warranty does not cover the following:

1. Damage resulting from accidents, transport, misuse, abuse, alteration, tampering, or failure of the purchaser to follow normal operating procedures outlined in the user's manual.
2. Damage caused by negligence and poor maintenance.
3. Defects or damage due to spillage of food/liquids or improper usage of electrical supply or electrical circuit, major fluctuations in voltage, exposure to rain or moisture, wrong fuel or oil used.
4. Damage, losses, and defects as a result of fire, flood, or other Acts of God.
5. Normal wear-and-tear, corrosion, rusting, or stains.

6. Defects & damage arising from improper testing, operation, usage of the wrong component, demonstration, maintenance, installation, adjustment, or any alteration or modification of any kind.
7. Scratches & damage to the outer surface areas and externally exposed parts that are due to normal customer use.
8. General maintenance & routine servicing.
9. Claims for damaged/missing parts after 7 days from the date of purchase.
10. If any part or parts of the unit are replaced with a part or parts not supplied or approved by us, or if the unit has been dismantled or repaired by any person other than a **TYLR** authorized technician.
11. Any equipment/product which has its serial number removed or made illegible/tampered with.
12. If the warranty card is altered, defaced, or erased in any manner whatsoever.
13. If the unit is used for purposes other than household use, such as commercial use.

The one (1) year for the mainboard, control PCB, motor and power supply. However, this warranty does not cover parts (i.e. accessories, spray wand, nozzles, hose, couplings, connectors, dust tank, filter, wheels, fuse, gears, plastic cover, interior and exterior casing) that are subject to wear and tear, rust, stains, or corrosion.

This one-year limited warranty does not cover Products sold "**AS IS**", "**FACTORY RECTIFIED**", or by a non-authorized reseller.

THERE ARE NO EXPRESS WARRANTIES OTHER THAN THOSE LISTED OR DESCRIBED ABOVE. ANY IMPLIED WARRANTIES, INCLUDING ANY IMPLIED WARRANTY OF MERCHANTABILITY AND FITNESS FOR A PARTICULAR PURPOSE, SHALL BE LIMITED IN DURATION TO THE PERIOD OF TIME SET FORTH ABOVE. **TYLR'S** TOTAL LIABILITY FOR ANY AND ALL LOSSES AND DAMAGES RESULTING FROM ANY CAUSE WHATSOEVER INCLUDING **TYLR'S** NEGLIGENCE, ALLEGED DAMAGE, OR DEFECTIVE GOODS, WHETHER SUCH DEFECTS ARE DISCOVERABLE OR LATENT, SHALL IN NO EVENT EXCEED THE PURCHASE PRICE OF THE PRODUCT. **TYLR** SHALL NOT BE RESPONSIBLE FOR LOSS OF USE, COMMERCIAL LOSS, LOST REVENUE OR LOST PROFITS, OR OTHER INCIDENTAL OR CONSEQUENTIAL DAMAGES. THIS WARRANTY IS SUBJECT TO CHANGE WITHOUT NOTICE.

**IMPORTANT:** Please present sales invoice as proof of purchase whenever you require our service during the warranty period.

*[www.tylrhome.com](http://www.tylrhome.com)*