



INSTRUCTIONS MANUAL

TYL-HC560C

PORTABLE PARTY SPEAKER SYSTEM

Hi-fidelity audio on-the-go



www.tylrhome.com

Table of Contents

IMPORTANT SAFETY INSTRUCTIONS	2
FEATURES AND CONTROLS.....	5
BEFORE FIRST USE	9
USING YOUR PORTABLE PARTY SPEAKER.....	9
Turning the unit on and off.....	9
Turning the LED effect on/off.....	9
Plugging in a microphone or external device	10
Controlling playback volume	10
Controlling playback volume for microphone	11
Playing modes	11
Using bluetooth	11
Using USB.....	12
Using an SD card.....	13
Using the FM Radio function	14
Sound effects and equalization	14
Recording audio	15
TROUBLESHOOTING.....	16

IMPORTANT SAFETY INSTRUCTIONS

Read carefully before use. It is important that this instruction manual should be retained with the appliance player for future reference. These warnings have been provided in the interest of safety. You must read them carefully before installation or use.

- Check that the voltage of the main circuit corresponds with the rating of the appliance before operating.
- Please ensure that the appliance is used on a stable, level, and heat resistant surface.
- DO NOT immerse cords, plugs or any part of the appliance in water or any other liquid.
- DO NOT leave the appliance unattended while it is operating.
- Close supervision is necessary when any appliance is used by or near children or pets.
- This appliance can be used by children aged from 8 years and above and persons with reduced physical, sensory or mental capabilities of lack of experience and knowledge if they have been given supervision or instruction concerning use of the appliance in a safe way and understand the hazards involved.
- Children shall not play with the appliance.
- Cleaning and user maintenance shall not be made by children without supervision.
- Switch off at the wall socket then remove the plug from the socket when not in use or before cleaning.
- If the supply cord or appliance is damaged, stop using is damaged, stop using the appliance immediately and seek advice from the manufacturer or its service agent or a similarly qualified person.

- DO NOT let the cord hang over the edge of a table or counter or let it come into contact with any hot surfaces.
- The use of accessory attachments is not recommended by the appliance manufacturer, apart from those supplied with this product. DO NOT use extension cords with the appliance.
- DO NOT pull the plug out by the cord as this may damage the plug and/or the cable.
- DO NOT use this product for anything other than its intended use.
- This appliance is for household use only.
- DO NOT carry the appliance by the power cord.
- DO NOT block any ventilation openings and install in accordance with the manufacturer's instructions.
- DO NOT install near any string magnets or heat sources such as radiators, heat registers, stoves or other appliances (including amplifiers) that produce heat.
- Unplug this appliance during lightning storms or when unused for long periods of time.
- If the appliance is not going to be used for a period of time please ensure that it is fully disconnected, from the mains power.
- If the appliance is brought directly from a cold place to a warm one, moisture may condense inside the appliance which will cause malfunction. Should this occur, leave the appliance off for a few hours until the moisture evaporates.
- DO NOT place anything heavy on to the appliance.
- Never attempt to disassemble the appliance. There probably would be a risk of electric shock and/ or harm by exposure.
- CAUTION! To reduce the risk of electric shock, DO NOT cover the back of the speaker. There are NO user-serviceable parts inside. Refer all servicing to the manufacturer or qualified service personnel.

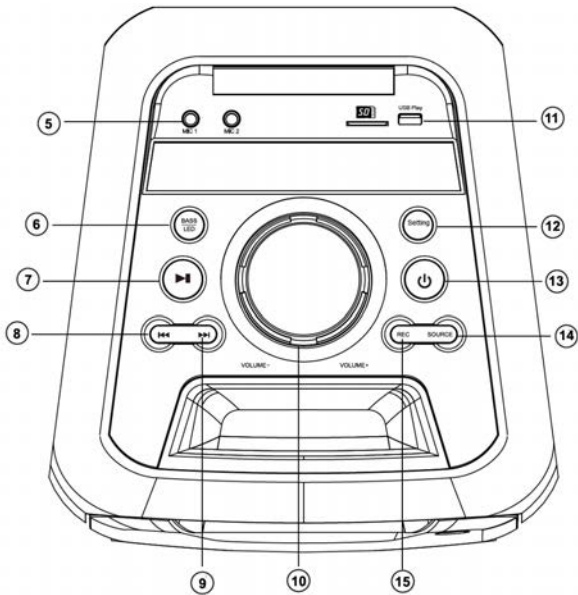
- WARNING! DO NOT expose the appliance to rain or moisture to reduce the risk of electric shock or fire.
- WARNING! DO NOT immerse the product in water or any other liquid.

SAVE THESE INSTRUCTIONS

FEATURES AND CONTROLS

Control Panel

- 1. Full frequency speaker
- 2. Tweeter speakers
- 3. Full frequency speaker
- 4. LED light



5. **Mic input connectors**

6. **BASS/LED**

- a. Press to select to cycle through the light mode options, including turning the LED effect off.
- b. Press and hold to activate the Bass function.

7. **Play/Pause/Scan**

- a. Bluetooth mode: Press and hold to enter pairing mode. Bluetooth icon will start blinking on the LCD display.
- b. Bluetooth/USB/SD mode: Press to play and pause music.
- c. FM mode: Press to store tuned station through manual or fine tuning. Press and hold to start auto search and automatically store found frequencies (channels).

8. **Back**

- a. USB mode: Press to select previous song. Press and hold to select previous folder.
- b. FM mode: Press to select previous stored station. Press and hold for manual tuning.
- c. Bluetooth mode: Press to select previous song.

9. **Forward**

- a. a. USB mode: Press to select next song. Press and hold to select next folder.
- b. FM mode: Press to select next stored station. Press and hold for manual tuning.
- c. Bluetooth mode: Press to select next song.

10. **Volume control dial**

11. **USB/SD port**

12. **SET**

- a. Under AU/ BT/ USB/ SD mode: Press to select Echo (with mic attached)/ Treble/ Bass function, then rotate volume control dial to adjust level.

b. Under FM mode: Press to fine tune using volume control dial.

13. **Standby ON/OFF**

14. **Source** - press to select AU/ FM/ BT modes.

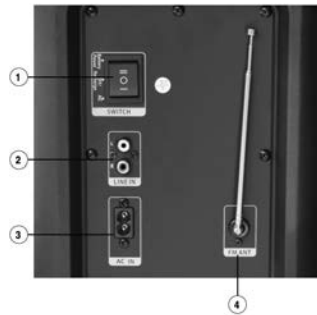
15. **REC**

a. Under AU mode: With USB and microphone plugged in, press button to start recording voice with music file. Press again to stop recording.

b. Under FM mode: With USB and microphone plugged in, press button to start recording voice with music file. Press again to stop recording.

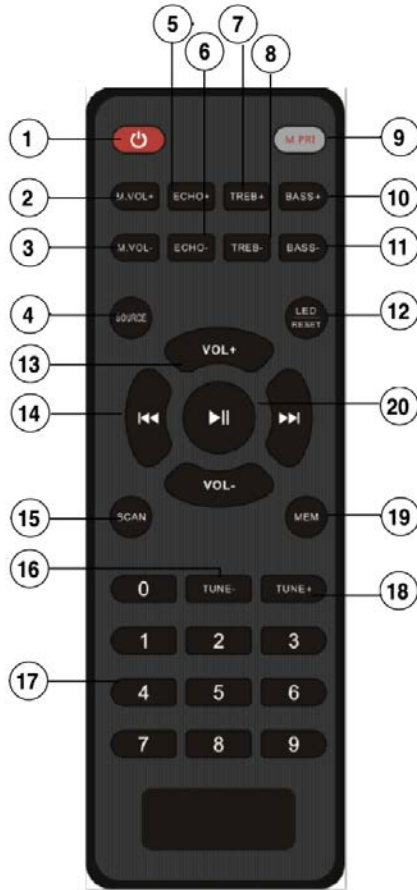
Rear Panel

1. AC/ Battery/ Power Off switch
2. Line in input
3. AC-In jack
4. FM antenna



Remote Control

1. Standby ON/OFF
2. Mic volume +
3. Mic volume -
4. Source
5. Echo +
6. Echo -
7. Treble +
8. Treble -
9. Mic Priority
10. Bass +
11. Bass -
12. LED effect
13. Volume +/-
14. Previous/Next
15. Scan
16. Tune -
17. 0-9 keys
18. Tune +
19. Memory
20. Play/Pause



BEFORE FIRST USE

- Remove the product from the box.
- Remove any packaging from the products.
- Please retain all packaging until you have checked and counted all the parts and the contents against the parts list.
- Your appliance is now ready for normal use.

USING YOUR PORTABLE PARTY SPEAKER

Turning the unit on and off

1. This unit can be powered through AC power, or through its built-in rechargeable battery. To select between AC power and battery powered operation, flick the switch at the back of the unit to the corresponding setting: I for AC power or II for battery power. “----” will be displayed on the unit’s LED screen whenever the unit is on, to indicate it is powered up and on standby.
2. Flick this switch to the 0 (middle) position to turn the unit off. The LED screen will go off to indicate the unit has been powered down.

Note: *To power the unit through the AC, begin by plugging it in. To do this, first push the AC adaptor into its corresponding jack at the back of the unit. Once the AC adaptor has been correctly connected to the unit, plug it into an electric outlet. The standby indicator will blink in red to indicate the unit is plugged in.*

Turning the LED effect on/off

This unit is equipped with a multi-colored LED effect, which produces an eye-catching light effect whenever the unit is in operation. The LED light will automatically come on whenever the unit is taken out of Standby mode.

1. Press the BASS|LED button on the unit's control panel (or LED button on the remote control) to cycle through the light mode options, including turning the LED effect off.

Plugging in a microphone or external device


1. This unit supports wired connectivity with external devices such as microphones, musical instruments, portable CD and MP3 players.
2. Use MIC 1 or MIC 2 jacks to connect microphones or musical instruments to the unit, or the 'Line In' jacks at the back of the unit to plug in other external devices.
3. Press the 'M. PRI' button on the remote control when a microphone or musical instrument is plugged into the mic jacks to activate the Microphone Priority function. When this function is activated, the unit will automatically adjust its output settings to ensure the microphone output volume supersedes any other audio emitting from the speaker.
4. Once an external device has been plugged into the unit, press the SOURCE button on the unit or on the remote control to select AUX mode. The text 'AU' will appear on the LCD display to indicate this mode has been selected.
5. Use the remote control or the unit's control panel to adjust playback volume and sound effects, as described in the sections below.

Controlling playback volume

1. To control the volume using the unit's control panel, rotate the volume control dial. Turn this dial clockwise to increase the volume, or counter-clockwise to decrease it.
2. Alternatively, use the Vol +/- buttons on the unit's remote control. Press the '+' button to increase, or the '-' button to decrease the volume.

Note: The unit's output volume can be increased or decreased by increments of 1, from 00 to 30.

Controlling playback volume for microphone

1. Press the 'M.VOL+' button on the remote control to increase the volume of a microphone or external amplification device, or the 'M.VOL-' button to decrease it.
2. Press SET on the unit's control panel, select Mic volume , then use the volume control knob to adjust the volume.

Playing modes

This speaker can reproduce audio files through Bluetooth, FM Radio, from a USB device, from an SD card or from an external source through the Line-In or Mic ports. Press the Source button on the unit's control panel (or Source button on the remote control) to cycle through the available playing modes (AUX, FM Radio, and Bluetooth).

Note: When playing audio from an SD card or a USB device, playback will start automatically whenever the device is inserted into the unit.

Using bluetooth

1. This unit allows for wireless streaming via Bluetooth. Press the Source button on the unit's control panel (or Source button on the remote control) until 'bt' is selected.
2. Once the 'bt' function is active, turn on the Bluetooth function in your external device and look for 'TYL- HC560C'.

3. Select the speaker name and pair it with your device. You will hear a sound to indicate the speaker has successfully paired with your device.
4. If pairing is unsuccessful, restart both devices and repeat the steps above.
5. Select the audio file you wish to play and press the Play/Pause button on your device, on the remote control or on the unit's control panel to start playback.
6. Once the selected media file is playing, use the media controls on the external device, the remote control or the unit's control panel to control playback and volume.
If using the remote control or the unit's control panel to control playback, press the Play/Pause button to start or pause playback, the Forward button to skip to the next track on the playlist, or the Back button to go back to the previous track on the playlist. Alternatively, use the number buttons on the unit's remote control panel to jump directly to your desired track.
7. Press the Standby ON/OFF button on the remote control or on the unit's control panel at any time to return to Standby mode, or press the Source button to choose a different playing mode.

Using USB

1. To play audio files using USB connection or external memory device, first insert the USB connector on the device or one end of a USB connecting cable (not included) into the corresponding slot in the unit's control panel. If using a cable, insert the other end into the USB port on your external device.
2. Whenever a USB drive or USB compatible device has been plugged into the unit, it will automatically default to USB mode. The text 'usb' will appear on the unit's control panel and the first audio file on the source device will automatically begin playing.

3. When the selected media file is playing, use the media controls on the unit's control panel, the remote control or the external device (if applicable) to control playback and volume.
If using the remote control or the unit's control panel to control playback, press the Play/Pause button to start or pause playback, the Forward button to skip to the next track on the playlist, or the Back button to go back to the previous track on the playlist. Alternatively, use the number buttons on the unit's remote control panel to jump directly to your desired track.
8. Press the Standby ON/OFF button on the remote control or on the unit's control panel at any time to return to Standby mode, or press the Source button to choose a different playing mode.

Using an SD card

1. To play audio files using an SD memory card, insert it into the corresponding slot in the unit's control panel.
Note: *Ensure the SD card is the correct size for the corresponding slot before attempting to plug it into the unit.*
2. Whenever an SD memory card has been plugged into the unit, it will automatically default to USB mode. The text 'sd' will appear on the unit's LCD display and the first audio file on the source device will automatically begin playing.
3. When the selected media file is playing, use the media controls on the unit's control panel, the remote control or the external device (if applicable) to control playback and volume.
4. If using the remote control or the unit's control panel to control playback, press the Play/Pause button to start or pause playback, the Forward/Next button to skip to the next track on the playlist, or the Back/Previous button to skip to the previous track on the playlist. Alternatively, use the

number buttons on the unit's remote control panel to jump directly to your desire track.

5. Press the Standby ON/OFF button on the remote control or on the unit's control panel at any time to return to Standby mode, or press the Source button to choose a different playing mode.

Using the FM Radio function

1. Press the Source button on the unit's control panel (or Source button on the remote control) until FM radio is selected. The band frequency will appear on the unit's LCD display to show radio mode has been selected.
2. Once the radio function has been selected, press the Forward or Back buttons to cycle through the available radio stations. The text 'CHxx' will appear as each new station is selected, to indicate a new frequency has been tuned to.
3. To fine tune, press the SET button on the unit's control panel and use the volume control knob. Alternatively, use the TUNE-/+ buttons on the remote control.
4. Press the Standby ON/OFF button on the remote control or on the unit's control panel at any time to return the unit to Standby mode, or press the Source button to choose a different playing mode.

Note: *Make sure that the FM antenna is fully extended before using the unit in FM mode, to ensure the best possible signal reception.*

Sound effects and equalization

This unit is equipped with adjustable Treble, Bass and Echo settings, as well as a Bass function, which help optimize the sound for different types of audio.

1. Under AUX/ FM Radio/ BT/USB/ SD playing modes:

Press the TREB +/- or BASS +/- buttons on the unit's remote control to adjust the Treble or Bass levels of the unit's audio output.

Under AUX/ BT/ USB/ SD playing modes:

Press SET on the unit's control panel, select Treble **TRE** or Bass **BS**, then use the volume control knob to adjust the level.

2. Under AU/ FM Radio/ BT/USB/ SD card modes:

Press the ECHO +/- buttons (with mic plugged in) on the unit's remote control to adjust the echo effect.

Under AU/ BT/ USB/ SD card modes:

Press SET on the unit's control panel, select Echo **E**, then use the volume control knob to adjust the level.

3. Press and hold the BASS|LED button on the unit's control panel to activate the Bass function. This will increase the Bass levels of the audio to provide a deeper, richer sound.

Recording audio

This unit allows you to record voice with music, and play it back later.

Under either AUX or FM Radio mode, and with USB and microphone plugged in:

1. Press REC button on the unit's control panel to start recording voice with music file. Press REC button again to stop recording.
2. Press and hold REC button to play recorded voice with music file.

TROUBLESHOOTING

PROBLEM	POSSIBLE CAUSE	SOLUTION
The unit will not turn on/No power	Unit not plugged in	Plug the unit to an electrical outlet.
The LED light effect is not working	LED function turned off	Turn on LED function on the unit or on the remote control.
No sound	Volume not adjusted	Adjust the volume level on the unit or on the remote control.
	Wrong audio source or function selected	Select the correct audio source or function.
	Source device not turned on	Turn the source device on.
	Volume is set too low	Adjust the volume level on the unit or on the remote control.
	Audio file is paused	Press the Play/Pause button on the remote control or the unit's control panel to resume playback.
	Bluetooth device not connected successfully	Restart the unit, then try pairing the device to the speaker using Bluetooth connection.
The unit becomes warm after extended play at high volume	This is normal	Turn the unit off for sometime or lower the volume.
The microphone is not working	Microphone not plugged in properly	Check that the microphone is plugged properly into the Mic jack on the unit's control panel.

	Microphone not turned on	Turn the microphone on by flicking the On/Off switch on the handle to the On position
--	--------------------------	---------------------------------------------------------------------------------------