



INSTRUCTIONS MANUAL

TYL-CF8700

SMART AIR PURIFIER

Advance air purification for safe, clean air



www.tylrhome.com

Table of Contents

IMPORTANT SAFETY INSTRUCTIONS	2
PARTS AND FEATURES	5
BEFORE FIRST USE	6
THE PURIFICATION SYSTEM	6
USING THE AIR PURIFIER.....	7
Control Panel Guide	7
REPLACING THE FILTER.....	10
CLEANING AND MAINTENANCE	10
Cleaning the body.....	10
Cleaning the pre-filter	11
Maintaining the HEPA and activated carbon filters.....	11
STORAGE.....	11

IMPORTANT SAFETY INSTRUCTIONS



Failure to comply with the warnings listed below may result in electric shock or serious injury.

This product should be used only in accordance with the specifications outlined in this manual. Usage other than what has been specified here may result in serious injury.

- To reduce the risk of electrical shock, fire or injury to persons, read all instructions before using the air purifier.
- This appliance can be used by children aged from 8 years and above and persons with reduced physical, sensory or mental capabilities or lack of experience and knowledge if they have been given supervision or instruction concerning use of the appliance in a safe way and understand the hazards involved.
- Children shall not play with the appliance. Cleaning and user maintenance shall not be made by children without supervision.
- This appliance is not intended for use by persons (including children) with reduced physical, sensory or mental capabilities, or lack of experience and knowledge, unless they have been given supervision or instruction concerning use of the appliance by a person responsible for their safety.
- If the supply cord is damaged, it must be replaced by the manufacturer, its service agent or similarly qualified persons in order to avoid a hazard.
- This appliance is not a substitute for proper ventilation, regular vacuum cleaning or use of an extractor hood or fan while cooking.
- Leave at least 20cm free space behind and on both sides, and at

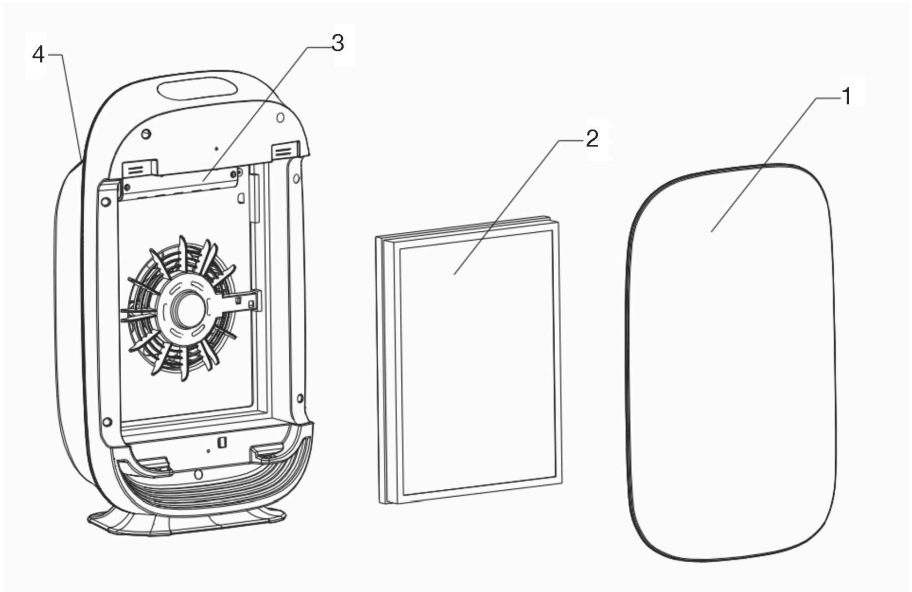
least 30cm free space above the appliance.

- During the operation of the product, please place the unit at least 2 meters away from equipment which involve electric waves such as televisions, radios or wave clocks, in case electrical interference occurs to such equipment.
- Remove the power plug from the wall outlet before cleaning the unit and when not using the unit. Electrical shock from poor insulation, or fire from short circuit, may occur as a result.
- When removing the power plug, always hold the plug and never pull the cord. Electrical shock and/or fire from short circuit may occur as result.
- Do not use the air purifier if the power cord or plug is damaged, or the connection to the wall outlet is loose.
- Do not insert fingers or foreign objects into the intake or air outlet.
- Do not use this air purifier near gas appliances or fireplaces.
- Do not block the air inlet and outlet, e.g. by placing items on the air outlet or in front of the air inlet.
- Do not let water or any other liquid or flammable detergent enter the appliance to avoid electric shock and/or a fire hazard.
- Do not clean the appliance with water or any other liquid or any (flammable) detergent to avoid electric shock and/or a fire hazard.
- Do not place anything on top of the appliance, and do not sit on the appliance.
- Do not place the appliance directly below an air conditioner to prevent condensation from dripping onto the appliance.
- Do not use this appliance when you have used indoor smoke-type insect repellents or in places with oily residues, burning incense or chemical fumes.
- Do not use the appliance in a room with major temperature changes, as this may cause condensation inside the appliance.

- Do not use the appliance in wet surroundings or in surroundings with high ambient temperatures, such as the bathroom, toilet or kitchen.

SAVE THESE INSTRUCTIONS

PARTS AND FEATURES



- 1- Front cover
- 2- Washable pre-filter, HEPA filter and activated carbon filter
- 3- UV-C lamp
- 4- Air outlet

BEFORE FIRST USE

Note: The appliance comes with all filters fitted inside, but the packaging of the filters need to be removed before using the appliance.

1. Carefully remove your air purifier from the box and plastic bag.
2. Select a firm, level and flat location for the air purifier.
Note: For proper air flow, locate the unit at least 20cm from any wall or furniture.
3. Remove the filters and plastic packaging, then place filters back into the appliance.
Note: Activated carbon filter and HEPA filter are combined into one layer to form a combination filter, which attaches to the pre-filter.
4. Plug the power cord into a correct voltage AC outlet.

Important: When moving the air purifier, always lift the unit by the carrying handle located at the back.

THE PURIFICATION SYSTEM

Multiple stages of filtration and purification include a HEPA filter that captures allergens, and Activated Carbon filter to remove odors, while the UV-C light technology enhances germ-killing.

1. Washable **Pre-filter** traps big particles like human hair, pet hair and pet feather etc.; helps extend life of HEPA and Activated Carbon filters.
2. High-performance **HEPA filter**: captures 99.97% of particulates

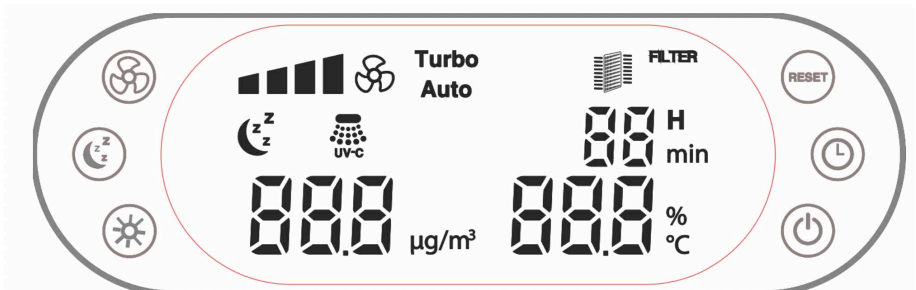
and traps allergens and airborne contaminants down to 0.3 micron in size such as dust mite debris, pet dander, mold and mildew spores, smoke, pollen and dust.


3. **Activated carbon filter:** reduces toxic fumes, harmful gases, odors and other VOCs effectively.
4. **UV-C light (254 nm):** works with Titanium Dioxide (TiO₂) to enhance the elimination of airborne germs. TiO₂ is activated by the UV-C light to decompose remaining odor molecules caused by smoking, cooking and pets.

Note: Activated carbon filter and HEPA filter are combined into one layer to form a combination filter, which attaches to the pre-filter.

USING THE AIR PURIFIER

Control Panel Guide



 **5-Fan Speed:** Press this button repeatedly to select the desired fan speed. In Turbo mode, the unit runs for 15 minutes with UV lamp

on, then shifts to AUTO mode. In Auto mode, unit adjusts fan speed from I, II, III to IV according to air quality.



Sleep mode: Press this button to activate Sleep mode; press again to deactivate Sleep mode. In Sleep mode, the indicator flickers for 5 seconds. Unit then runs in ultra-quiet mode and all LED display will be dimmed. Press any button to cancel the Sleep mode.



UV: Press this button to turn on/off UV lamp.



Filter Reset: Filter indicator illuminates on the display indicating the need to change filter. Refer to the section on “Replacing the Filter.”



Timer: Press this button to set operation time (from 1 to 24 hours).



Power: Press this button to turn the unit on or off.

Fan speed indicator



UV light indicator



Auto operation indicator

Auto

Timer indicator



Sleep mode indicator



PM 2.5 indicator



Temperature and Humidity indicator



Filter replacement indicator



FILTER

Air quality indicator



Very unhealthy

PM2.5: 150+

Unhealthy

PM2.5: 100-149

Moderate

PM2.5: 50-99

Good

PM2.5: 0-49

REPLACING THE FILTER

1. Turn off the air purifier and unplug from wall outlet.
2. Open the front cover.
3. Remove the combination filter by pulling the two strips on the upper and lower part.
4. Insert new combination filter into the unit.
5. Reattach the front cover to the unit and securely latch into place.
6. Press and hold Reset button for 5 seconds to reset the system.

Note:

- *Only the pre-filter is washable. The combination is not washable and reusable.*
- *Always turn off the air purifier and unplug from the electrical outlet before replacing the filters.*

CLEANING AND MAINTENANCE

Cleaning the body

Regularly clean the inside and outside of the air purifier to prevent dust from collecting.

1. Use a soft, dry cloth to clean exterior and interior of the air purifier (especially for the front cover).
2. The air outlet can also be cleaned with a soft, dry cloth.
3. Detach the front cover from the air purifier and wash it under running tap water.

Cleaning the pre-filter

If the pre-filter is very dirty, use a soft brush to brush away the dust, then wash the pre-filter under running tap water. Allow the pre-filter to air dry thoroughly before attaching to the combination filter.

Note:

- *Do not use sharp objects to clean the pre-filter.*
- *The pre-filter should be replaced with the rest of the filters.*

Maintaining the HEPA and activated carbon filters

Maintain the filters by checking it frequently.

Depending on air quality conditions, you may need to replace it more frequently. Vacuum the filters as needed to remove loose debris and dust and to help prolong the life of your filter.

Note:

- *Both HEPA and activated carbon filters are not washable and not reusable.*

STORAGE

1. Turn off the air purifier and unplug from the wall outlet.
2. Clean the air purifier, pre-filter and combination filter (see section on Cleaning and Maintenance). Let all parts dry thoroughly before storing.
3. Store the air purifier and filters in a cool, dry location.
4. Always thoroughly wash hands after handling filters.