



INSTRUCTIONS MANUAL

TYL-CS1001BCB

HOT-AIR KNIFE & CHOPPING BOARD SET STERILIZER

Store, sterilize and segregate your kitchen tools



www.tylrhome.com

Table of Contents

IMPORTANT SAFEGUARDS	2
PARTS AND FEATURES	4
BEFORE FIRST USE	5
USING YOUR STERILIZER	5
CLEANING AND MAINTENANCE	7
WARRANTY TERMS AND CONDITIONS	8

IMPORTANT SAFEGUARDS

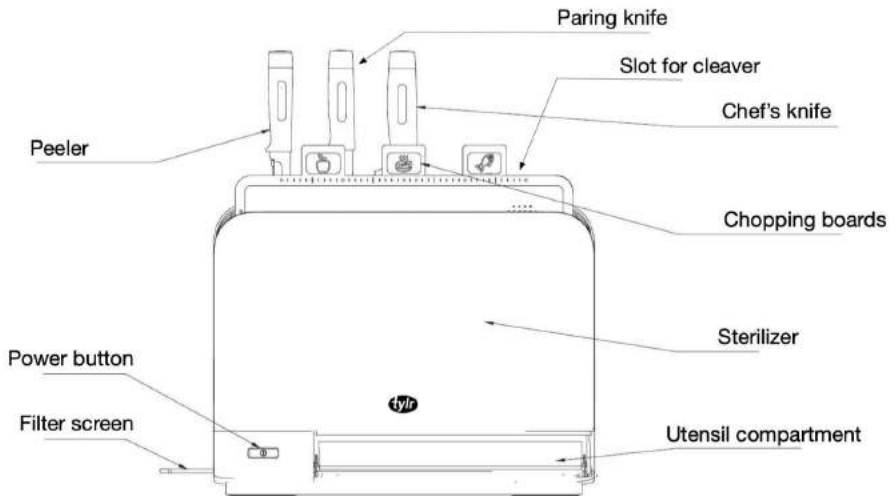
When using this appliance, basic safety precautions should always be followed, including the following:

1. Before using the sterilizer, please read the instruction manual in detail.
2. To prevent damage to the power cord, do not hang the power cord on the edge of the table, or allow the power cord to come in contact with a hot surface.
3. Do not place or operate the sterilizer on or near any hot surfaces such as a gas or electric burner, stove, or an oven.
4. The knife sterilizer should be placed on a dry and level surface.
5. To protect against electrical shock, do not submerge the unit or allow the power cord to come into contact with water or any other liquid. If the unit falls into liquid, unplug the power cord from the electrical outlet immediately. Do not reach into the liquid.
6. In the absence of supervision, the cleaning and maintenance work should not be done by the child.
7. Do not use accessories that are not recommended by the manufacturer in order to avoid fire, electric shock, or other injuries.
8. If the power cord is damaged, it must be replaced by the manufacturer, its authorized service technician or by a similarly qualified person, as this will prevent a dangerous situation from arising.

9. This product is intended to be used for the storage and disinfection of knives, cutting boards, spoons, and chopsticks. It cannot be used for any other purpose.
10. This appliance is not intended for use by persons (including children) with reduced physical, sensory or mental capabilities, or lack of experience and knowledge, unless they have been given supervision or instruction concerning use of the appliance by a person responsible for their safety.
11. Children should be supervised to ensure that they do not play with the appliance.
12. To prolong the product's life, do not use abrasives or sharp metal to clean the product's surface. Please wipe the surface with a soft cloth and the use of warm water and a mild detergent.
13. This product cannot be operated by children.
14. This product is intended for indoor use only.
15. To prevent the risk of injury by electrical shock, never submerge the unit, the power cord or the power plug in water or any other liquid.
16. This product is intended to be used in households and similar applications such as:
 - Staff kitchen areas in shops, offices, and other working environments ;
 - Farm houses;
 - By clients in hotels, motels, and similar environments ;
 - Bed and breakfast type environments.

SAVE THESE INSTRUCTIONS. FOR HOUSEHOLD USE ONLY. NOT FOR COMMERCIAL USE.

PARTS AND FEATURES



BEFORE FIRST USE

Before using this product for the first time, please wash the chopping boards, peeler, and knives with some mild detergent and warm water. Wipe and dry thoroughly.

USING YOUR STERILIZER

1. Place the sterilizer on a dry and level surface, away from hot surfaces such as a gas or electric burner, stove, or an oven.
2. Place the clean and dry chopping boards, peeler, and knives into the corresponding slots in the sterilizer.
3. **Optional:** Open the cover of the utensil compartment. Pull out the tray and place the utensil(s) on it, then push the tray back inside and close the cover. (See Fig.1)

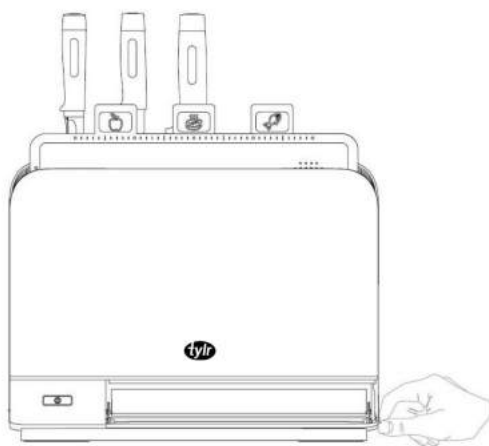


Fig. 1

4. Plug the sterilizer into an outlet and press the power button. The drying and sterilization cycle, through the use of high temperature and UV light respectively, will now begin. Each cycle lasts for about 40 minutes. (See Fig.2)

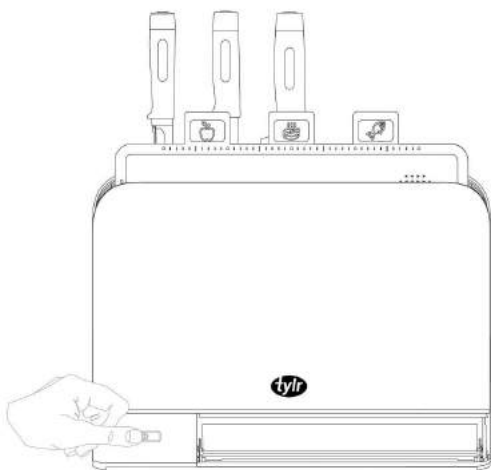


Fig. 2

ATTENTION: *While the sterilizer is in use, do not directly stare at the UV light as this may damage your eyes.*

5. After the drying and disinfection cycle is complete, remove the utensils for use.

NOTE: *Utensils will be hot at the end of the drying and sterilization cycle. Use proper protection when handling them, such as mittens.*

6. Repeat the above-mentioned steps for each disinfection.

CLEANING AND MAINTENANCE

1. Unplug the sterilizer before cleaning and wait for it to cool down.
Do not immerse the sterilizer, power cord, or plug in water or any other liquid to prevent electric shock.
2. Do not use corrosive solvents, bleach, or abrasive tools to clean any parts of the unit.
3. The peeler, knives and chopping board may be washed in warm soapy water.
4. After washing the accessories, wipe off the excess the water from the surface of the accessories and allow to dry thoroughly.
5. The filter screen, drip tray and utensil tray are detachable and can also be washed with warm, soapy water. (See Fig.3 & 4)

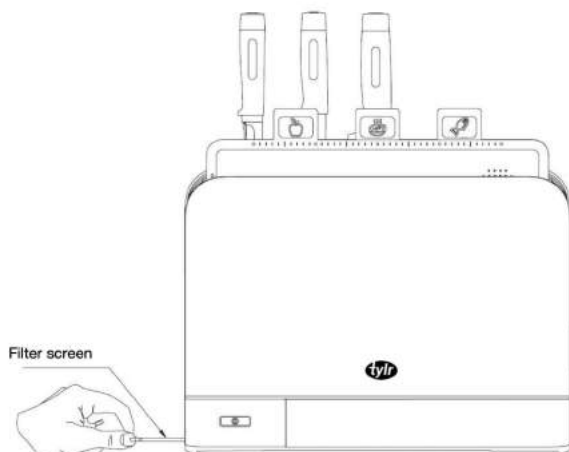


Fig. 3

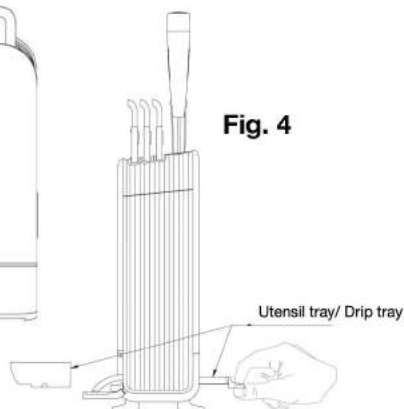


Fig. 4

WARRANTY TERMS AND CONDITIONS

ONE-YEAR LIMITED WARRANTY ON PARTS AND LABOR

TYLR provides a warranty to the original purchaser of this product against defects in materials and workmanship for one year. If a product covered by this warranty is determined to be defective within the warranty period, **TYLR** will repair or replace the defective part with a new or remanufactured part free of charge subject to terms and conditions stated herein.

To obtain warranty service, proof of purchase in the form of a sales invoice or copy thereof is required to show that a product is within the warranty period. If any one of the documents cannot be produced, corresponding fees for labor and replacement parts will be charged.

Parts and Labor

There will be no charge for parts and labor during the warranty period. Replacement parts or units may be new or recertified and are upon **TYLR**'s option and sole discretion. Replacement parts and units are warranted for the remaining portion of the original warranty. Our decision on all questions relating to complaints as a result of defects, either workmanship or materials, shall be conclusive and you shall agree to abide by such decision. Any unit or defective part that have been replaced shall become **TYLR**'s property. After the lapse of this warranty, a charge will be made on all labor and replacement of parts.

Types of Services

Defective Products must be sent to any **TYLR** service center to obtain warranty service. **TYLR** is neither responsible for transportation costs to the service center nor **TYLR** will cover return shipping to the customer. Product returns to **TYLR** service centers must utilize either the original carton box and shipping material or packaging that affords an equal degree of protection.

For home service, the transportation fee of **TYLR** service personnel will be charged to the customer, depending on the location. Our service personnel reserve all rights to refuse to attend to any equipment installed in an inaccessible location or any other hazardous situation.

LIMITATIONS AND EXCLUSIONS

TYLR one-year limited warranty only covers defects in materials and workmanship; however, this warranty does not cover the following:

1. Damage resulting from accidents, transport, misuse, abuse, alteration, tampering, or failure of the purchaser to follow normal operating procedures outlined in the user's manual.
2. Damage caused by negligence and poor maintenance.
3. Defects or damage due to spillage of food/liquids or improper usage of electrical supply or electrical circuit, major fluctuations in voltage, exposure to rain or moisture, wrong fuel or oil used.
4. Damage, losses, and defects as a result of fire, flood, or other Acts of God.
5. Normal wear-and-tear, corrosion, rusting, or stains.

6. Defects & damage arising from improper testing, operation, usage of the wrong component, demonstration, maintenance, installation, adjustment, or any alteration or modification of any kind.
7. Scratches & damage to the outer surface areas and externally exposed parts that are due to normal customer use.
8. General maintenance & routine servicing.
9. Claims for damaged/missing parts after 7 days from the date of purchase.
10. If any part or parts of the unit are replaced with a part or parts not supplied or approved by us, or if the unit has been dismantled or repaired by any person other than a **TYLR** authorized technician.
11. Any equipment/product which has its serial number removed or made illegible/tampered with.
12. If the warranty card is altered, defaced, or erased in any manner whatsoever.
13. If the unit is used for purposes other than household use, such as commercial use.

The one (1) year warranty period covers the mainboard, motor, and power supply. However, this warranty does not cover parts (i.e., accessories, UV lamp, interior and exterior casing) that are subject to wear and tear, rust, stains, or corrosion.

This one-year limited warranty does not cover Products sold **“AS IS”**, **“FACTORY RECTIFIED”**, or by a non-authorized reseller.

THERE ARE NO EXPRESS WARRANTIES OTHER THAN THOSE LISTED OR DESCRIBED ABOVE. ANY IMPLIED WARRANTIES, INCLUDING ANY IMPLIED WARRANTY OF MERCHANTABILITY

AND FITNESS FOR A PARTICULAR PURPOSE, SHALL BE LIMITED IN DURATION TO THE PERIOD OF TIME SET FORTH ABOVE. **TYLR'S** TOTAL LIABILITY FOR ANY AND ALL LOSSES AND DAMAGES RESULTING FROM ANY CAUSE WHATSOEVER INCLUDING **TYLR'S** NEGLIGENCE, ALLEGED DAMAGE, OR DEFECTIVE GOODS, WHETHER SUCH DEFECTS ARE DISCOVERABLE OR LATENT, SHALL IN NO EVENT EXCEED THE PURCHASE PRICE OF THE PRODUCT. **TYLR** SHALL NOT BE RESPONSIBLE FOR LOSS OF USE, COMMERCIAL LOSS, LOST REVENUE OR LOST PROFITS, OR OTHER INCIDENTAL OR CONSEQUENTIAL DAMAGES. THIS WARRANTY IS SUBJECT TO CHANGE WITHOUT NOTICE.

IMPORTANT: Please present sales invoice as proof of purchase whenever you require our service during the warranty period.

www.tylrhome.com