



Etac Swift mobile shower commode

Designed to assist users and carers with every day routines.

 **etac**[®]

Creating Possibilities

Etac Swift Mobile shower commode

Swift Mobile is a height adjustable mobile shower commode which provides maximum comfort for both carers and users.

Back support with maximum comfort and individual fit

The soft back support can be adjusted using hook-and-loop straps for the perfect individual fit. The material is carefully chosen not to stick to the body. It dries quickly and can easily be removed for cleaning.

Ergonomic foot supports and comfortable arm supports

The foot supports are gently curved to ensure a perfect fit for the feet arches. To protect the heels from the castors, the foot supports have side covers. These features improves stability and safety and give the user a higher sense of comfort. To facilitate transfers, both foot and arm supports are easy to swing away.

Etac Swift Mobile 160 – a sturdy chair for heavier users

Swift Mobile 160 has all the benefits of Swift Mobile while also sturdy enough to handle a maximum user weight of 160 kg. An increased width between the arm supports of 540 mm provides extra space.



The seat is detachable for easy cleaning.



Comfortable arm supports

The arm supports are 450 mm wide to provide a sufficient support.



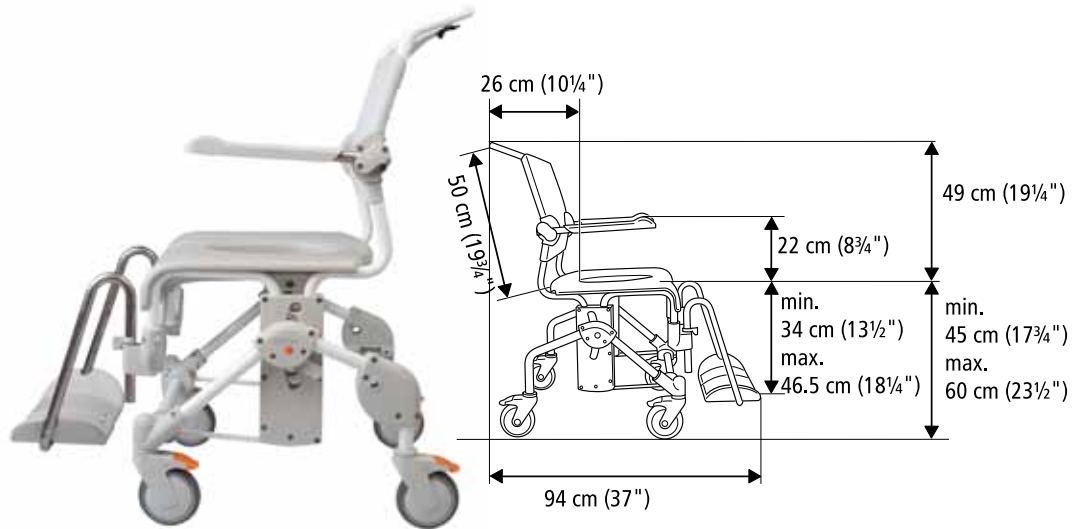
Adjustable back support

The back support can be adjusted using hook-and-loop straps





Easy to adjust the height

The seat height can be adjusted in intervals of 20 mm ranging from 500 to 650 mm. No tools are needed.



Description	Note	Weight	Dimensions	Item no.	
Swift Mobile	Part assembled	16.6 kg 36.6 lbs	Total width 58 cm 22 3/4" Between armrests: 48 cm 19"	80209400	✓ max 135 kg / max 298 lbs
Swift Mobile with Pan Holder	Part assembled	16.6 kg 36.6 lbs	Total width 58 cm 22 3/4" Between armrests: 48 cm 19"	80209405	✓ max 135 kg / max 298 lbs
Swift Mobile 160 with Pan Holder		17.3 kg 38.1 lbs	Total width 63 cm 25" Between armrests: 54 cm 21 1/4"	80209422	✓ max 160 kg / max 353 lbs

<p>Common dimensions Total length: 94 cm 37" Adjustable seat height: 45–60 cm 17 3/4–23 1/2"</p>	<p>Material Chassis: powder painted steel Seat/Arm supports: polypropylene / PP Back support: polyester / PA Foot support: polypropene Castors: polyamid / TPR, lockable, ball bearing.</p>	<p>Supplied as standard back support seat arm supports leg and foot supports 4 lockable castors.</p>
--	---	--

	<p>max 85°C / max 185°F for maximum of 3 minutes</p>		<p>Clean the product with a solvent-free cleaning agent (pH level 6–9), or with a 70% disinfectant solution. Can be decontaminated at max. 85°C / 185°F if so required.</p>
---	---	---	---



Accessories



Description
Chest harness belt
Adjustable in length. Attach to back support.
Always use together with positioning belt.
Material: Polyester

Item no.

80209442 ✓



Description
Soft cushion, standard opening
For extra soft seat base.
Materials: Polyether/Coated fabric

Item no.

80209065



Description
Arm supports widening kit
Increases the space between the arm supports
by 6 cm.

Item no.

80209441 ✓



Description
Soft cushion, oval opening
For extra soft base, without recess opening.
Materials: Polyether/Coated fabric

Item no.

80209067



Description
Arm supports Hemiplegia
Set. Fits both left and right side.
Material: Cellpolyetene, aluminium, stainless
steel, polystyrene.

Item no.

80209035



Description
Cushion, Protect
Air-inflated ROHO cushion with excellent
pressure distribution properties. The air pressure
is adjustable. Recess width: 21 cm 8¼".
Material: Neoprene

Item no.

80209245



Description
Cross bar, 60.5 cm 24.2"
For safety and additional support.
Material: Aluminium, polypropen and cellular
polyethylene.

Item no.

80303034 ✓



Description
Elevating Leg & calf support, 1 pc
Fits both left and right side.
Material: ABSplastic

Item no.

80209437



Description
Positioning belt
Adjustable in length.
Attachment with hook and loop straps.
Material: Polyester

Item no.

80209440 ✓



Description
Foot support for leg and calf, 1 pc
Fits both left and right side.
Foot support adjustable in 6 positions.
Material: Stainless steel, polypropene.

Item no.

80209443



Description
Arm supports lock
Locks the arm supports in down-folded position.
Material: Stainless steel.

Item no.

80209445



Description
Heel straps, pair
Adjustable in length.
Material: Polyester

Item no.

80209432 ✓



Description
Seat cover
When a complete seat is required.
Material: Foamed polyurethane.

Item no.

80209434 ✓



Description
Rear wheel kit
With built in attachment for anti tip. 24" rear
wheels with solid tyres. Incl. attachment and
brakes. Material: Polyamide, stainless steel.

Item no.

80209436



Description
Comfort seat
A seat pad which makes the recess opening a
little smaller. Width recess opening: 18 cm.
Material: Foamed polyurethane.

Item no.

80209433 ✓



Description
Splash Guard
Fits into the recess opening.
Material: Polyurethane

Item no.

80209430 ✓

**Description**

Pan, grey 80209254
 Lid with handle, grey 80209256
 Pan & Lid with Handle, grey 80209255 ✓
 Material: Polyamide

**Description**

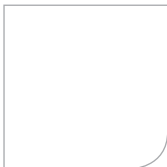
Attachment for low mounting of pan / bucket, Grey x 4 80209259 ✓
 Fitted to the pan/bucket holder.
 Material: Polypropene

**Description**

Pan Holder, grey 80209257 ✓
 Fits both Swift Mobile pan and regular hospital pans with a thin rim.

**Description**

Pan & bucket holder attachment, grey 80209435 ✓
 For pan and bucket holder.
 To be mounted beneath the seat.
 Material: Polyamide

**Description**

Bucket Holder, Grey 80209258
 Fits bucket with a thick rim.
 Material Polypropene

**Description**


Anti tip, pair exclusive attachment 80209438 ✓
 Anti tip, pair inclusive attachment 80209439 ✓
 Increases safety if the centre of gravity is far back, for example for leg amputee users.
 Material: Aluminium





 [®]
Creating Possibilities

“Everyone should be able to live a free and independent life and pursue their dreams regardless of any physical circumstances.”

 = Standard Stock Item