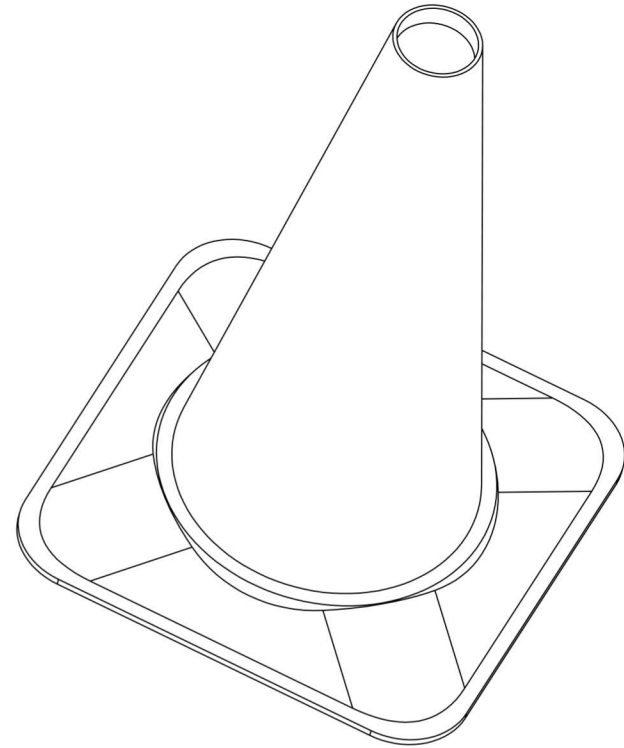
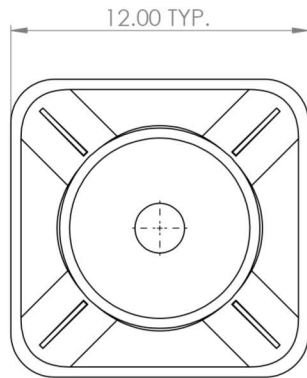
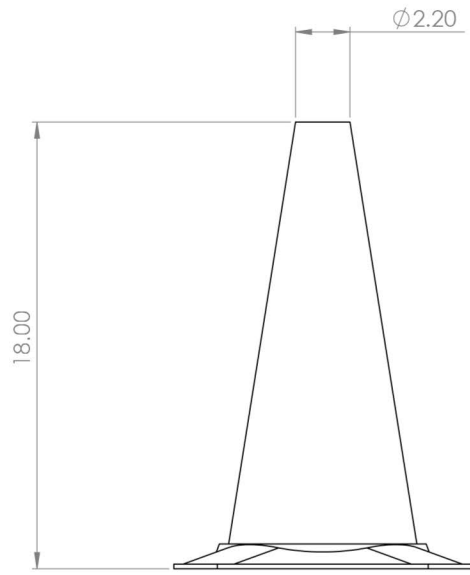


4

3

2

1



**PROPRIETARY AND CONFIDENTIAL**  
 THE INFORMATION CONTAINED IN THIS DRAWING IS THE SOLE PROPERTY OF **CORTINA SAFETY PRODUCTS GROUP**. ANY REPRODUCTION IN PART OR AS A WHOLE WITHOUT THE WRITTEN PERMISSION OF **CORTINA SAFETY PRODUCTS GROUP** IS PROHIBITED.

		UNLESS OTHERWISE SPECIFIED: <b>DIMENSIONS ARE IN INCHES</b> <b>TOLERANCES:</b> FRACTIONAL $\pm 1/32$ ANGULAR: MACH $\pm 0.01$ BEND $\pm 5^\circ$ TWO PLACE DECIMAL $\pm 0.050$ THREE PLACE DECIMAL $\pm 0.005$			
		INTERPRET GEOMETRIC TOLERANCING PER: <b>ASME Y14.5-2009</b>			
		MATERIAL			
		FINISH			
NEXT ASSY	USED ON	APPLICATION	DO NOT SCALE DRAWING		

	NAME	DATE
DRAWN	RMS	
CHECKED	VEB	
ENG APPR.	MG	
MFG APPR.	JMG	
Q. A.	MS	
COMMENTS:		

DISTRIBUTED BY:



**MISSION READY**  
TRAFFIC + SAFETY  
[www.missionreadysafety.com](http://www.missionreadysafety.com)

SIZE	REV
<b>B</b>	
18 Inch Sports Cone	
SCALE: 1:5	WEIGHT:
SHEET 1 OF 1	

4

3

2

1

B

B

A

A