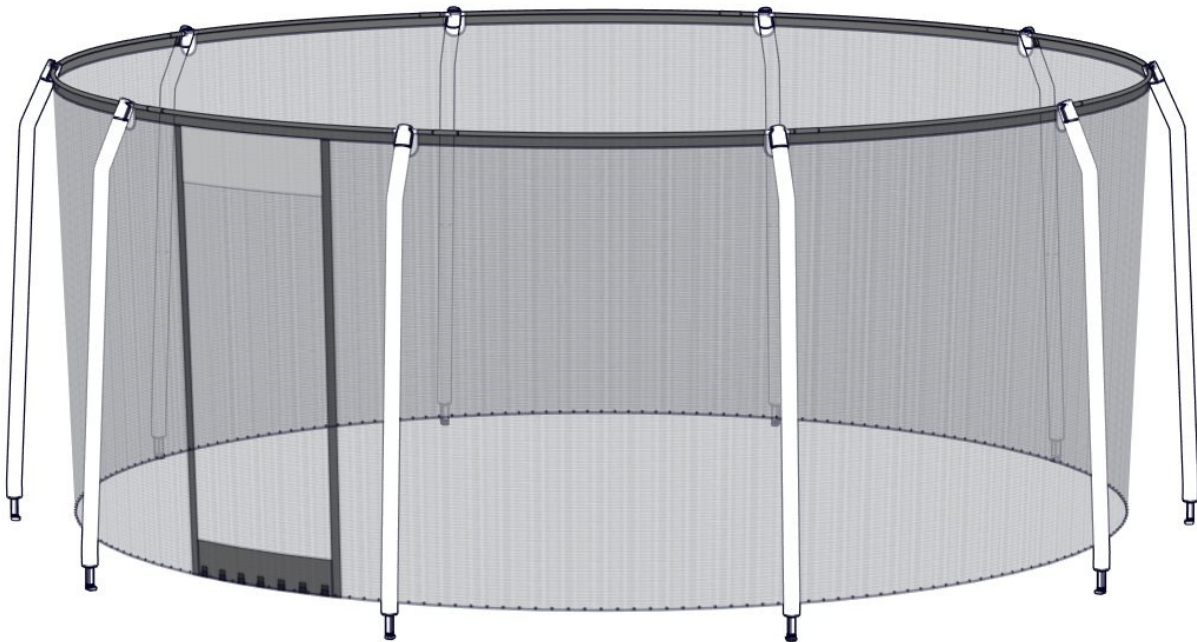




- 500001 15ft/4.6m
- 500004 14ft/4.3m

Safety Net User Manual

800001 REV005



For Customer Service, please call 1-800-487-0115
Monday - Friday 9:00AM - 5:00PM Central Time
Beast Inc.

Danger



1.0 Introduction

Thank you so much for choosing a Beast Trampoline!

Beast Trampolines Originated from a lack of high quality Trampolines in the United States. Beast Inc. is a Minnesota sporting goods company specializing in high end Trampolines. Our mission is to Inspire Families and Friends to Enjoy and Engage in Physical Activity and Social Interaction through the Creation of Innovative and Appealing Designs. We believe you will love your Beast Trampoline and we would love an honest review if you purchased it from Amazon. We would also love a follow on Instagram @beast_trampoline_official or a tag with hashtag #beasttrampoline. Thank you so much!

-The Beast Team



@beast_trampoline_offical



@beasttrampoline

2.0 Guidelines for Safe Use

Using your Beast Trampoline as instructed in this manual will eliminate virtually all hazards. However, please bear in mind that children have a natural urge to play and that this may lead to unforeseen dangerous situations for which the Beast Inc. cannot be held responsible. Teach your children how to use the product and point out possible dangers to them.

BEFORE YOU BEGIN USING YOUR TRAMPOLINE:

Read and understand all this information provided to you in this manual. As with all physical sports and activities there is the risk of participants receiving an injury. To ensure your future enjoyment and the prevention of injury, be sure to follow appropriate safety rules and tips.

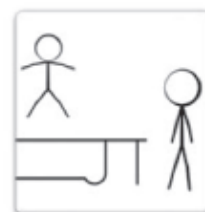


WARNING



To avoid serious injury:

- Read and understand the manual before use.
- **WARNING:** Only for domestic use
- **WARNING: CHOKING HAZARD!** – Small parts.
Not for Children under 3 years old.
- **Protect children**
Prevent falls and strangulation – Exit through the door only and use caution.
Assist young children in and out of the safety net.
- **WARNING:** Only one user at a time; danger of collision!
- **WARNING:** Always jump in the middle of the jump mat.
- **WARNING:** Do not perform summersaults or other difficult jumps!
- **WARNING:** Empty your pockets before use of the trampoline!
- Continuous adult supervision is required.
- To prevent accidents due to slipping, don't use the trampoline when it's wet.
- The trampoline is to be assembled by an adult prior to use.
- In case of missing or broken parts, please contact place of purchase for assistance.
- We are not liable for any injuries that may occur when using the trampoline.



3.0 General Safety Instructions

Please read and follow all instructions before you start using your Beast Trampoline.

Please inspect the Trampoline before each use for any defects such as a torn mat, loose or broken springs and overall stability of the trampoline.

You shall always be sure that the equipment is working normally and safely prior to use.

Never have more than one person jumping on the trampoline at a time.

A supervisor is necessary when children use this trampoline.

This product is intended for home use only.

Wind or air movement shall be calm and gentle, don't use the Trampoline in gusty or severe wind.

If the Trampoline needs to be moved, it should be moved by two people, kept horizontal, and lifted slightly. If necessary, the trampoline and enclosure can be taken apart for moving. To take the Trampoline apart, follow the assembly steps in reverse order.

WARNING Check the product before and after jumping. Especially the following parts for damage and wear: jumping mat, padding and its fastening, springs and their fastenings.

4.0 General Information

It is not necessary to break-down the Trampoline during the winter. Beast Trampolines can also be used in the winter. However, it is NOT recommended that snow is not left on the Trampoline.

It is recommended to place the Trampoline on a flat and level surface with at least 6 feet of distance to other superstructures, or barriers, e.g. fence, garage, house, tree branches, washing lines, or electrical cables.

The Trampoline shall not be placed over hard surfaces like asphalt, concrete etc.

Exchange defective parts according to the supplier's recommendation.

Changes to the Trampoline (e.g. addition of an accessory) must be done according to the supplier's instruction.

5.0 SAFETY NET ASSEMBLY

STEP BY STEP CONSTRUCTION

Please read the assembly instructions before beginning to assemble the product.

Please refer to the table below for parts description and numbering.

Make sure you have all the parts listed. If you are missing any parts, please contact the place of purchase.

Please use gloves to protect your hands from pinch points during assembly. Please use safety glasses to protect eyes.

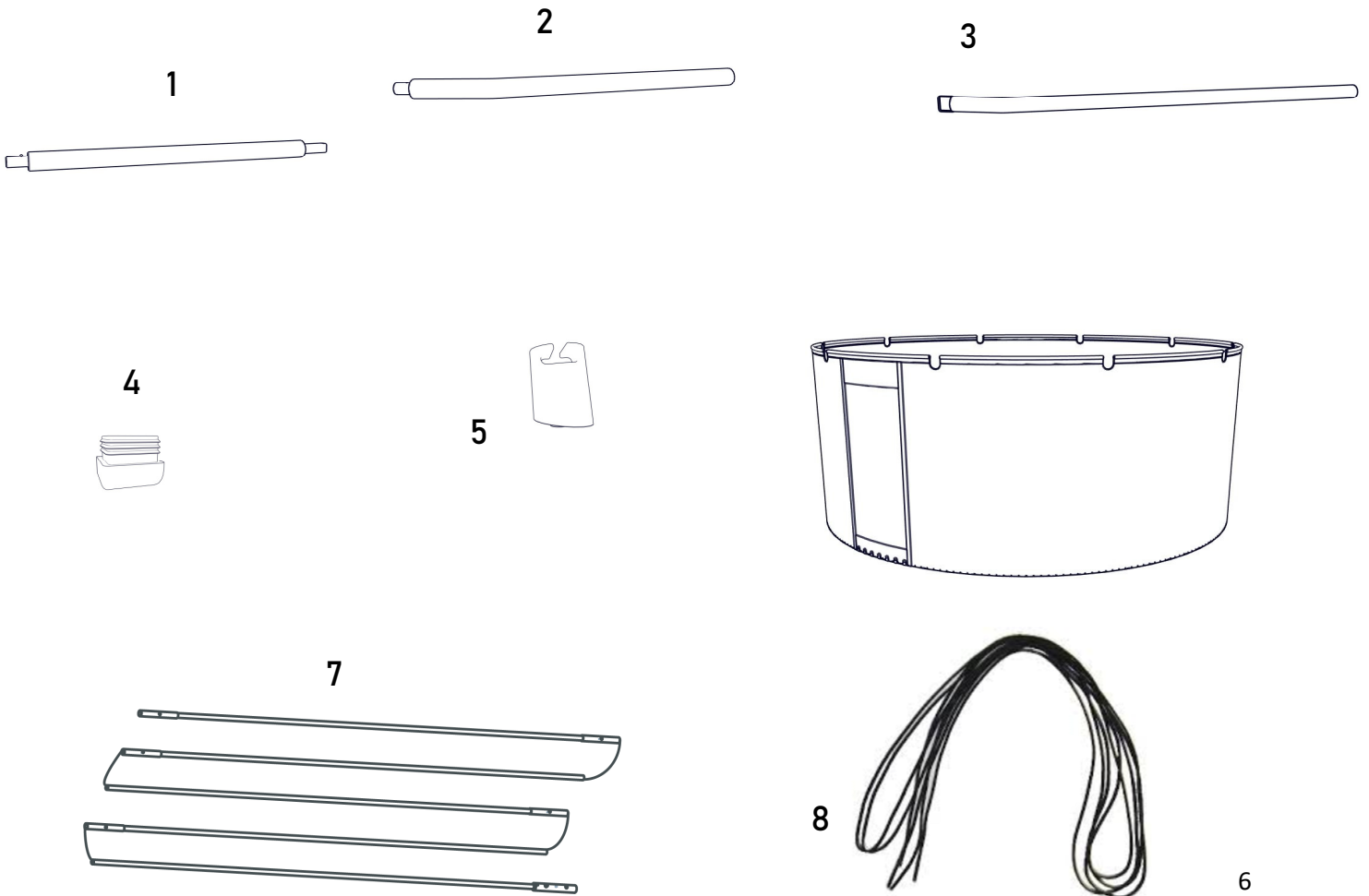
When you are ready to start, make sure that you have plenty of space and a clean dry area for assembly.

Parts list

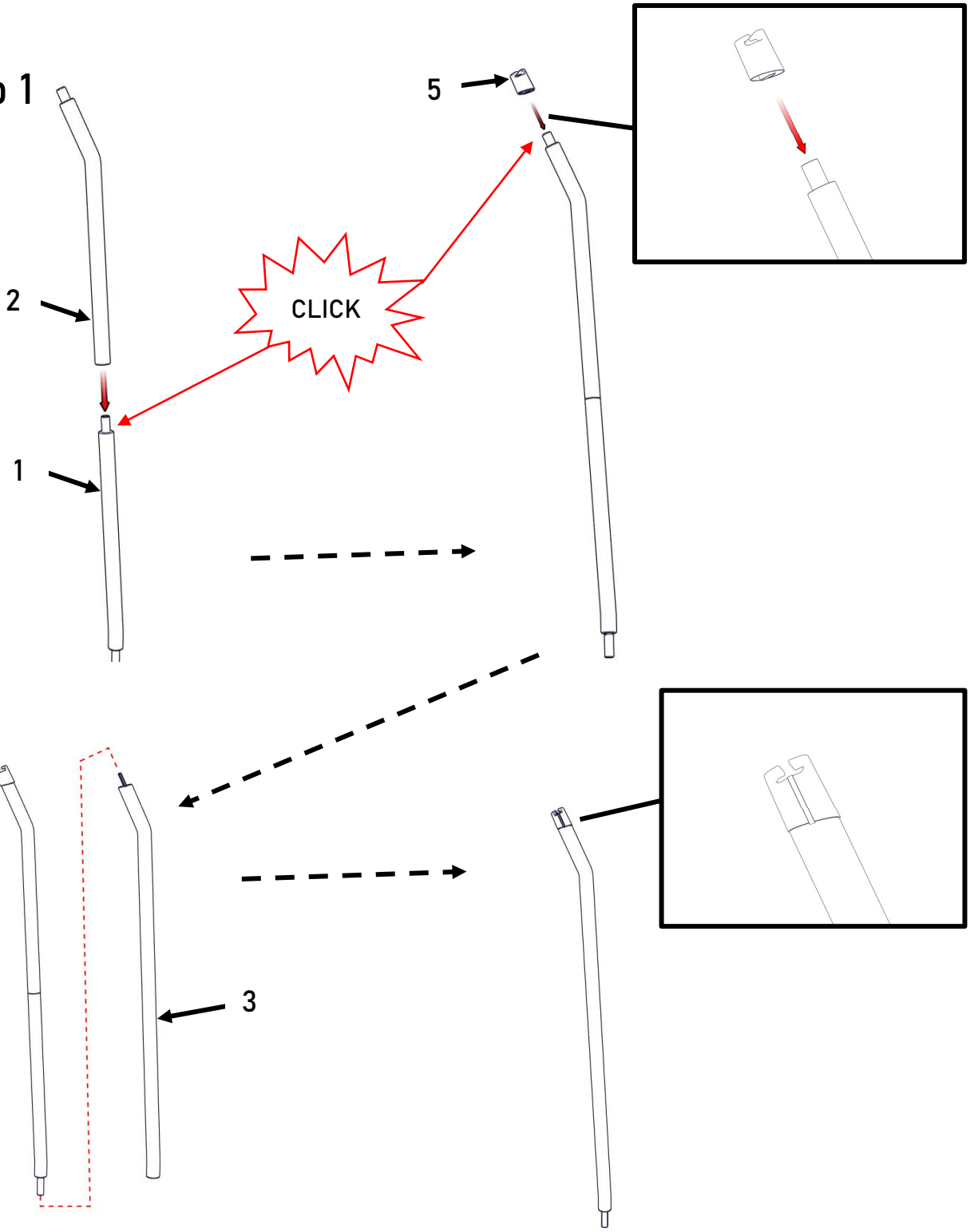
Item	Description	14ft	15ft
1	UPPER TUBE WITH FOAM	8	10
2	LOWER TUBE WITH FOAM	8	10
3	SLEEVE	8	10
4	END CAP	8	10
5	POLE CAP	8	10
6	SAFETY NET	1	1
7	TOP FIBERGLASS RING	2 sets	2 sets
8	STRING	4	4

**Enclosed are the current specifications and product features available at time of printing, however, changes may be made in equipment, availability, specifications and features without notice.*

** The 15ft trampoline+ safety net is used to display the assembly steps in this manual.*

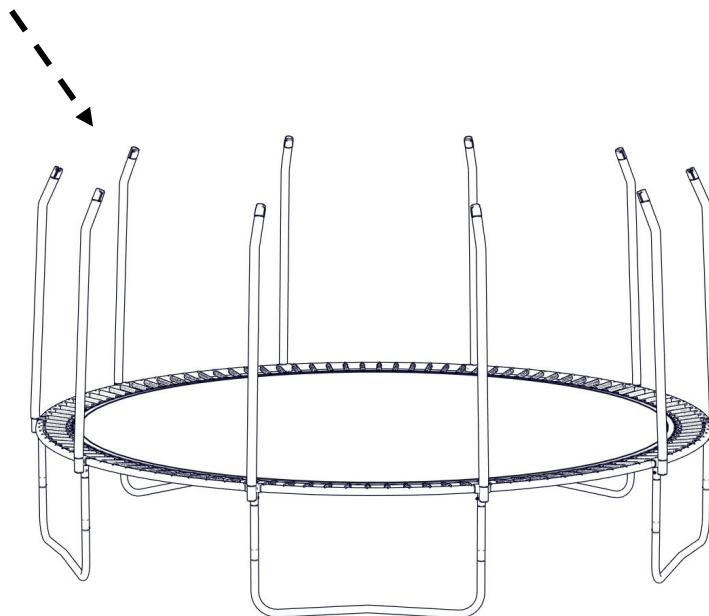
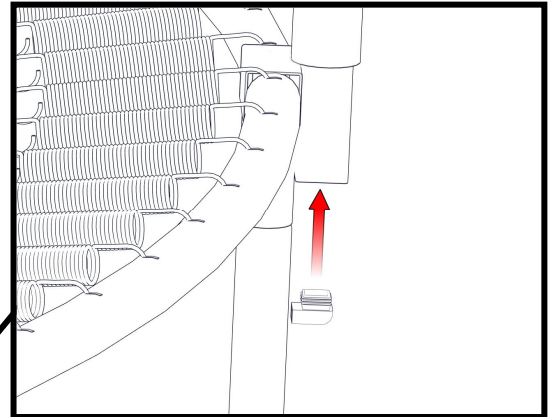
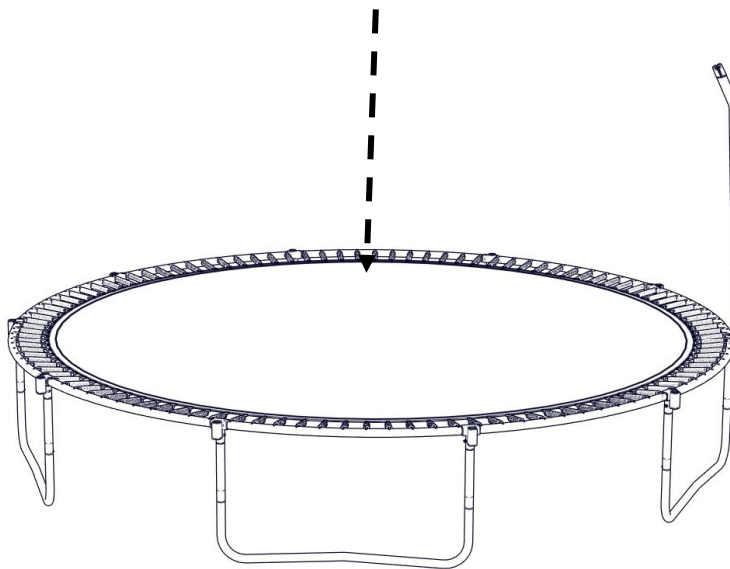
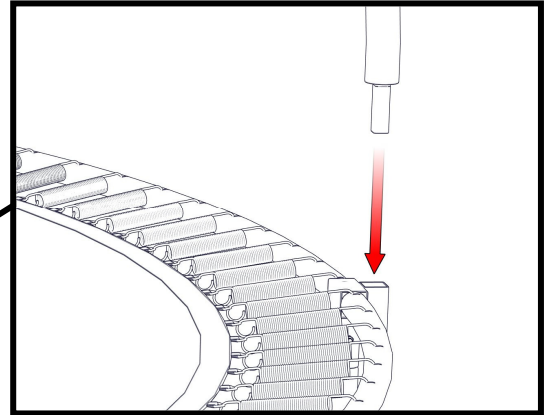
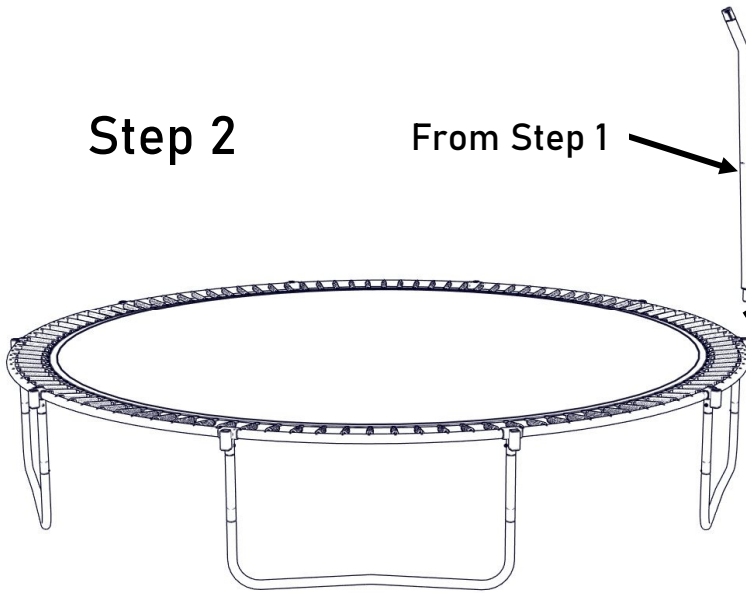


Step 1



Step 2

From Step 1



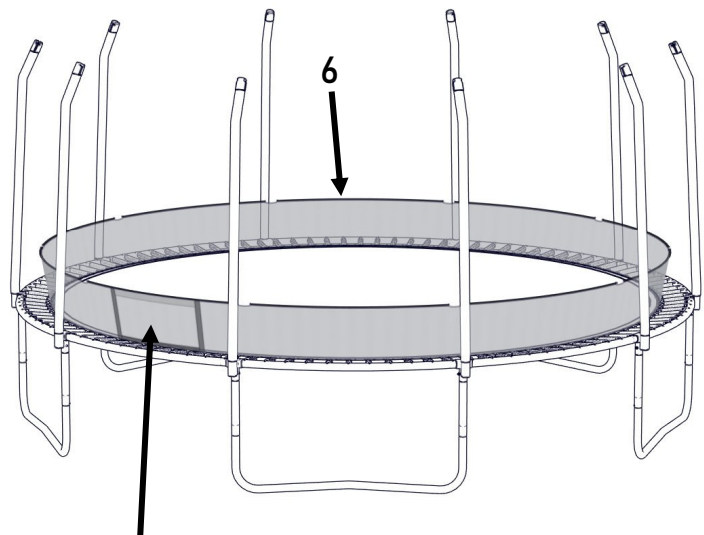
Step 3

Note: Two adults are required to complete Step 3.

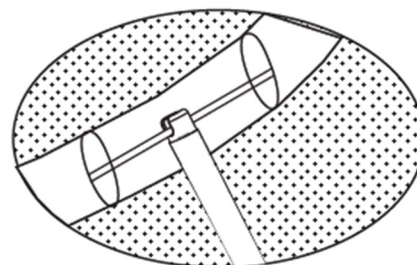
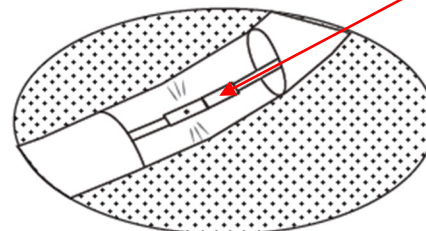
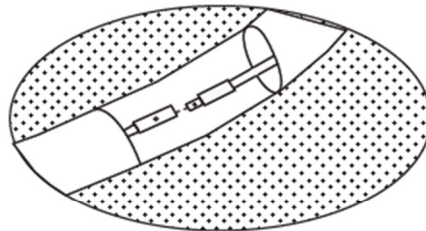
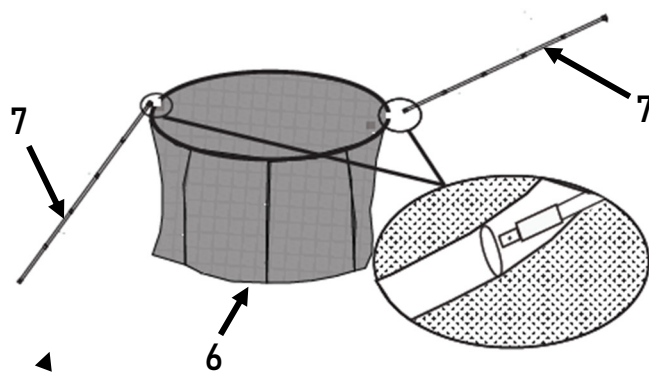
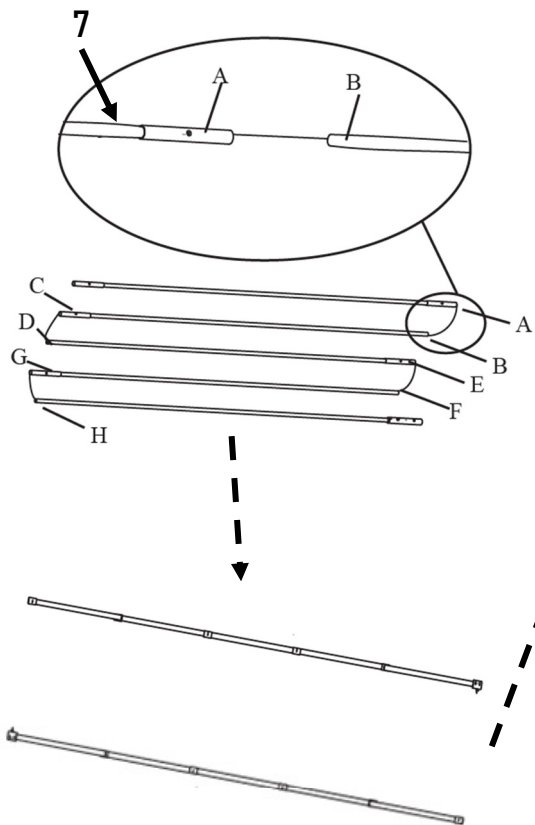
Identify the Fiberglass Ring Top (7) with small sections attached by string.

Insert the end of pole B into the end of pole A as shown, repeat this process to attach the remaining poles ends C, D, E, F, G, H to form the first assembled ring half.

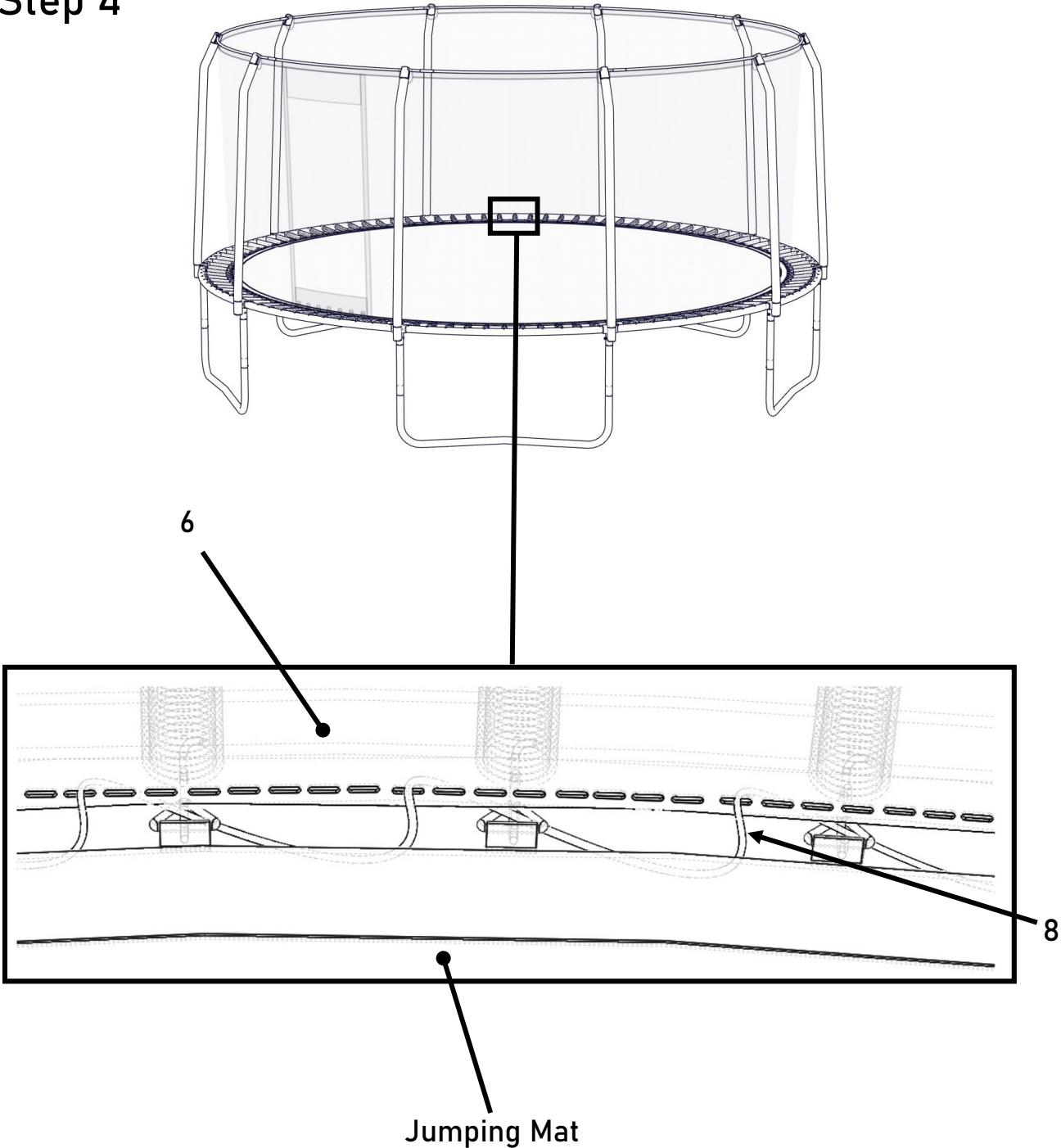
Repeat this process to attach other set Fiberglass Ring Top together by same manner.



Place Safety Net on trampoline and position door in desired location.

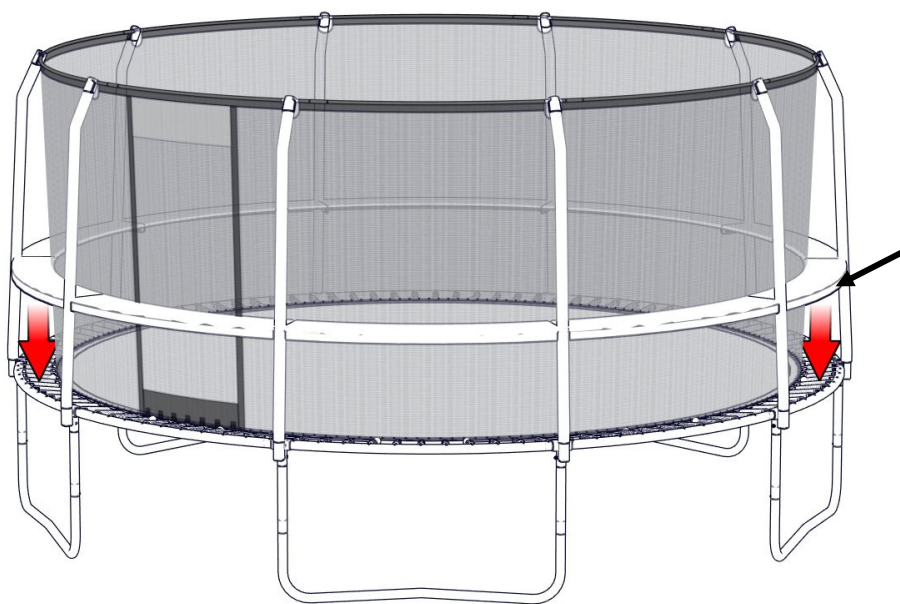


Step 4

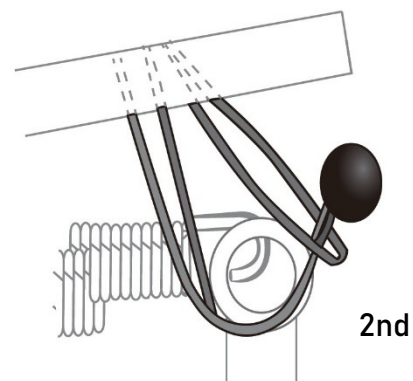


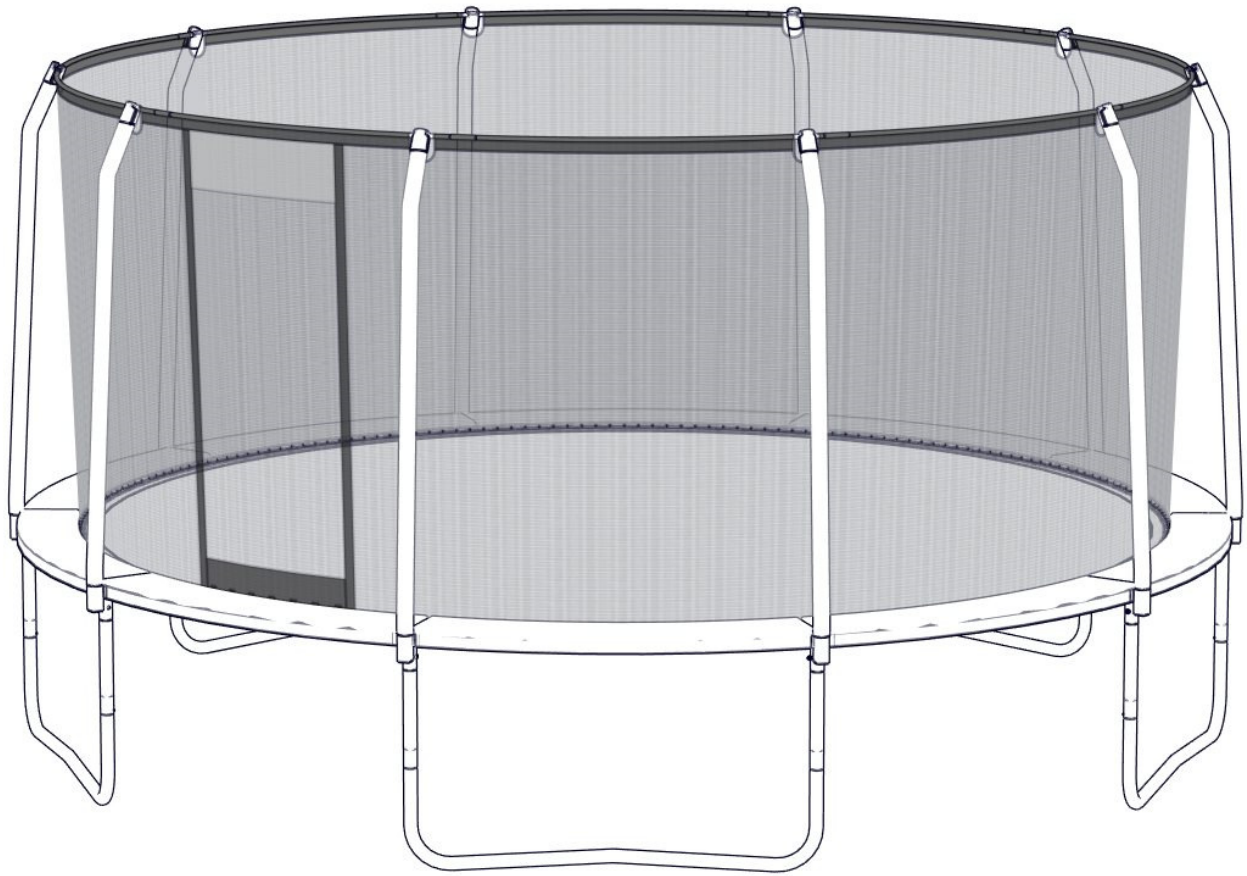
Note: Securely knot each of the 4 strings together as you weave them through the safety net fabric loop and the jumping mat metal loop.

Step 5



1st
6 from p/n 800000 manual





You are all done!

6.0 CARE AND MAINTENANCE

This Beast Trampoline was designed and manufactured with quality materials and craftsmanship. If proper care and maintenance is provided, it will provide all jumpers with years of exercise, fun, and enjoyment as well as reduce the risk of injury. Please follow the guidelines listed below:

This Trampoline is designed to withhold a certain amount of weight and use. Please make sure that only one person at any one time uses the trampoline. Jumpers should either wear socks, gymnastics shoes, or be barefoot when using the Trampoline. Please be aware that street shoes or tennis shoes should NOT be worn while using the Trampoline. In order to prevent the trampoline mat from getting cut or damaged please do not allow any pets onto the mat. Also, jumpers should remove all sharp objects from their person prior to using the Trampoline. Any type of sharp or pointed objects should be kept off the Trampoline mat at all times.

MAINTENANCE INSTRUCTIONS

It is particularly important to follow the following maintenance instructions at the beginning of each season and periodically during the use season:

- It is necessary to determine whether all nuts and bolts are tight, and if necessary they are tightened;
- It shall be verified that all spring-loaded tube connections are undamaged while in use.
- Any cover screws and sharp edges must be checked and replaced if necessary;
- The maintenance manual shall be kept;

Always inspect the Trampoline before each use for worn, abused or missing parts. Many conditions could arise that may increase your chances of getting injured. Please be aware of:

- Punctures, holes, or tears in the Trampoline mat
- Sagging Trampoline mat
- Loose stitching or any kind of deterioration of the mat
- Bent or broken frame parts, such as the legs
- Broken, missing, or damaged springs
- Damaged, missing, or insecurely attached frame pad
- Protrusions of any types (especially sharp types) on the frame, springs, or mat

IF YOU FIND ANY OF THE PREVIOUS CONDITIONS, OR ANYTHING ELSE THAT YOU FEEL COULD CAUSE HARM TO ANY USER, THE TRAMPOLINE SHOULD BE DISASSEMBLED OR SECURED FROM USE UNTIL THE CONDITION(S) HAS BEEN RESOLVED.

WINDY CONDITIONS

In severe wind situations, the Trampoline can be blown about. If you expect windy weather conditions, the Trampoline should be moved to a sheltered area or disassembled. Another option is to tie the round, outside portion (top frame) of the Trampoline to the ground using a Trampoline Anchor Kit.

MOVING THE TRAMPOLINE

If you need to move the trampoline, two people should work together. When moving, lift the trampoline slightly off the ground and keep it horizontal to the ground. For any type of other move, you should disassemble the trampoline.

7.0 WARRANTY

After the date of the purchase invoice, the owner of the Beast Trampoline has a:

- 5-year warranty on the metal frame
- 1-year warranty on the jumping mat, safety pad, springs, enclosure, and accessories

The warranty applies only to the material and construction defects with respect to this product or its components.

The warranty becomes defunct if:

- This product is used incorrectly and/or carelessly and is used in such a way that it does not comply with its purpose.
- This product is not assembled and maintained according to the instruction booklet.
- Technical repairs to this product are not carried out professionally.
- Parts, which are mounted afterwards, do not comply with the technical specifications of the product concerned or are mounted incorrectly.
- Defects are a result of climatic influences such as corrosion, UV rays or normal disintegration.
- The product is rented out or was made available to various unspecified persons in any other manner.

Beast Inc. will repair or replace according to its choice all material and construction defects that have been ascertained by Beast Inc. during the warranty period.

In case of material and construction defects that have been ascertained by Beast Inc., the product or its components will be repaired or replaced – according to its choice – free of charge during the warranty period mentioned above.

If the claim for warranty is not justifiable, all the costs are at the expense of the owner.

This warranty cannot be transferred to third parties.

The Trampoline is designed for personal use. It is not permitted to rent out or place the Trampoline in public areas like schools or day-care centers. The guarantee and any other liabilities shall expire if the Trampoline is rented out or used in public areas.

Thank You!!

Contact info for any warranty or customer questions

www.beasttrampoline.com

1-800-487-0115