

BIKE 2022 / EN

—

# SPECS LIST + GEOS

**e-MTB SUPER ENDURO****LEVEL RR**

Gloss Racing Silver / Yellow

<b>FRAME</b>	Level 6061 Alloy Stealth Evo, e-Bike Optimized Zero Suspension System, 170mm travel, Forward Geometry, internal non-removable battery with integrated alloy cover, Boost 12x148mm rear axle, tapered head tube, one-piece Monoblock upper link, HHG internal cable routing, MAX capacity sealed bearings, oversize 17mm axles, integrated dropout speed sensor, exclusive plastic motor covers
<b>SIZES</b>	S: 380mm / M: 420mm / L: 450mm / XL: 490mm
<b>REAR SHOCK</b>	Öhlins TTX22M 225x75mm. Settings: high speed compression lever with climb mode, low-speed compression, rebound, spring preload. Trunnion top mount, 25x10mm bottom bushings
<b>SHOCK SETTINGS</b>	C10 compression, R35 rebound. Spring rate: S size 251 lbs, M size 297 lbs, L size 343 lbs, XL size 411 lbs
<b>FORK</b>	Öhlins RXF 38 M.2 29, 180mm, TTX18 Twin Tube cartridge, tapered steerer tube, Boost 15x110mm axle, offset 44mm. Settings: high speed compression lever with climb mode, low-speed compression, rebound, air preload, ramp chamber
<b>HEADSET</b>	Onoff Saturn tapered for 1-1/8" to 1-1/2" head tube, ACB sealed bearings, top 41x30.2x7x45°x45°, bottom 51.9x40x8x45°x45°
<b>STEM</b>	Onoff Krypton FG 30mm, CNC, 31.8mm barbare
<b>HANDLEBAR</b>	Onoff Krypton Carbon 1.0, rise: 25mm, width: 800mm, 9° backsweep, 5° upsweep, 31.8mm barbare
<b>GRIPS</b>	Onoff Diamond, 1lock-on, 135mm
<b>SEATPOST</b>	Onoff Pija dropper internal, diameter 31.6mm, S size: 387x125mm, M size: 425x150mm, L/XL size: 465x170mm
<b>SADDLE</b>	Fizik Terra Aidon X5 145mm
<b>FRONT BRAKE</b>	Sram Code RSC, oversized 4-piston caliper, Centerline 220mm IS 6 bolts one-piece rotor, steel-backed metal sintered pads
<b>REAR BRAKE</b>	Sram Code RSC, oversized 4-piston caliper, Centerline 200mm IS 6 bolts one-piece rotor, steel-backed metal sintered pads
<b>BRAKE LEVER</b>	Sram Code RSC, SwingLink and lever pivot bearings, tools-free reach and contact point adjust
<b>RIMS</b>	e*thirteen E*Spec Plus, IW30 Hookless, 6069 Welded Aluminum 30mm internal width, tubeless ready, 28F / 32R spokes
<b>SPOKES</b>	e*thirteen custom J-bend, triple-butted alloy, alloy nipples, nipple washers
<b>FRONT HUB</b>	e*thirteen Boost 15x110mm, triple-sealed, fully machined aluminum, IS 6 bolts
<b>REAR HUB</b>	e*thirteen Superboost 12x148mm, triple-sealed, fully machined aluminum w/6-degree engagement, IS 6 bolts

<b>FRONT TIRE</b>	Maxxis Assegai 29x2.5WT, tubeless ready, 3C MAXX GRIP compound, DH casing, 60x2TPI, folding bead
<b>REAR TIRE</b>	Maxxis Assegai 29x2.5WT, tubeless ready, 3C MAXX GRIP compound, DH casing, 60x2TPI, folding bead
<b>CRANKSET</b>	Race Face Aeffect ebike, 165mm
<b>RINGS</b>	Sram X-Sync 2 Eagle 34T, steel, narrow-wide, 104 BCD
<b>PEDALS</b>	---
<b>CHAIN</b>	Sram GX Eagle, 12s, Powerlock
<b>FRONT DERRAILLEUR</b>	---
<b>REAR DERRAILLEUR</b>	Sram X01 Eagle, Type 3 roller bearing clutch, cage lock, 1x12s, X-Actuation 1:1
<b>SHIFT LEVERS</b>	Sram Trigger GX Eagle, 12s, X-Actuation 1:1, single click
<b>CASSETTE</b>	Sram XG-1275, 10-52T, 12s
<b>MOTOR</b>	Bosch Performance Line CX Cruise (25Km/h) GEN4 BS3
<b>BATTERY</b>	Bosch Powertube 750Wh
<b>DISPLAY</b>	Bosch Kiox 300
<b>DERRAILLEUR HANGER</b>	Mondraker M068
<b>OTHERS</b>	---
<b>WEIGHT</b>	---

**e-MTB SUPER ENDURO****LEVEL R**

Gloss Black / Dirty White

<b>FRAME</b>	Level 6061 Alloy Stealth Evo, e-Bike Optimized Zero Suspension System, 170mm travel, Forward Geometry, internal non-removable battery with integrated alloy cover, Boost 12x148mm rear axle, tapered head tube, one-piece Monoblock upper link, HHG internal cable routing, MAX capacity sealed bearings, oversize 17mm axles, integrated dropout speed sensor, exclusive plastic motor covers
<b>SIZES</b>	S: 380mm / M: 420mm / L: 450mm / XL: 490mm
<b>REAR SHOCK</b>	Fox DHX2 Performance Elite, 225x75mm. Settings: low-speed compression, low-speed rebound, spring preload. Trunnion top mount, 25x10mm bottom bushings
<b>SHOCK SETTINGS</b>	Medium compression, medium rebound. Spring rate: S/M size 300 lbs, L size 350 lbs, XL size 400 lbs
<b>FORK</b>	Fox 38 29 Float FIT GRIP EVOL Performance, 180mm, e-bike tuned, tapered steerer tube, Boost 15x110mm axle, 44mm offset. Settings: 3 positions with micro adjust compression, low-speed rebound, air preload
<b>HEADSET</b>	Onoff Saturn tapered for 1-1/8" to 1-1/2" head tube, ACB sealed bearings, top 41x30.2x7x45°x45°, bottom 51.9x40x8x45°x45°
<b>STEM</b>	Onoff Sulfur FG 30mm 0°, 6061 forged alloy, 31.8mm barbare
<b>HANDLEBAR</b>	Onoff Sulfur 1.0 double butted 6061 alloy, rise: 20mm, width: 800mm, 9° backsweep, 5° upsweep, 31.8mm barbare
<b>GRIPS</b>	Onoff Diamond, 1lock-on, 135mm
<b>SEATPOST</b>	Onoff Pija dropper internal, diameter 31.6mm, S size: 387x125mm, M size: 425x150mm, L/XL size: 465x170mm
<b>SADDLE</b>	Fizik Terra Aidon X5 145mm
<b>FRONT BRAKE</b>	Sram Code R, oversized 4-piston caliper, Centerline 220mm IS 6 bolts one-piece rotor, steel-backed metal sintered pads
<b>REAR BRAKE</b>	Sram Code R, oversized 4-piston caliper, Centerline 200mm IS 6 bolts one-piece rotor, steel-backed metal sintered pads
<b>BRAKE LEVER</b>	Sram Code R, tool-free reach adjust
<b>RIMS</b>	Mavic E-Deemax 29, 30mm internal width, welded, PFP, tubeless ready, 28 spokes
<b>SPOKES</b>	Mavic J-bend duple butted, contactless lacing
<b>FRONT HUB</b>	Mavic, Boost 15x110mm, IS 6 bolts
<b>REAR HUB</b>	Mavic, Boost 12x148mm, ID360 Ratched system, IS 6 bolts

<b>FRONT TIRE</b>	Maxxis Assegai 29x2.5WT, tubeless ready, 3C MAXX GRIP compound, DH casing, 60x2TPI, folding bead
<b>REAR TIRE</b>	Maxxis Assegai 29x2.5WT, tubeless ready, 3C MAXX GRIP compound, DH casing, 60x2TPI, folding bead
<b>CRANKSET</b>	Race Face Aeffect ebike, 165mm
<b>RINGS</b>	Sram X-Sync 2 Eagle 34T, steel, narrow-wide, 104 BCD
<b>PEDALS</b>	---
<b>CHAIN</b>	Sram SX Eagle, 12s, Powerlock
<b>FRONT DERRAILLEUR</b>	---
<b>REAR DERRAILLEUR</b>	Sram GX Eagle, Type 3 roller bearing clutch, cage lock, 1x12s, X-Actuation 1:1
<b>SHIFT LEVERS</b>	Sram Trigger NX Eagle, 12s, X-Actuation 1:1, single click
<b>CASSETTE</b>	Sram PG-1210, 11-50T, 12s
<b>MOTOR</b>	Bosch Performance Line CX Cruise (25Km/h) GEN4 BS3
<b>BATTERY</b>	Bosch Powertube 750Wh
<b>DISPLAY</b>	Bosch Kiox 300
<b>DERRAILLEUR HANGER</b>	Mondraker M068
<b>OTHERS</b>	---
<b>WEIGHT</b>	---



## e-MTB ENDURO

**CRAFTY CARBON RR SL**

Matte Carbon UD / Gloss Marlin Blue

<b>FRAME</b>	Crafty Stealth Air full Carbon, e-Bike Optimized Zero Suspension System, 150mm travel, Forward Geometry, internal non-removable battery, Boost 12x148mm rear axle, tapered head tube, one-piece Monoblock upper link, HHG internal cable routing, MAX capacity sealed bearings, oversize 17mm axles, integrated dropout speed sensor, exclusive plastic motor covers
<b>SIZES</b>	S: 380mm / M: 420mm / L: 450mm / XL: 490mm
<b>REAR SHOCK</b>	Fox Float DPS Factory Kashima evol LV, 205x65mm. Settings: Compression 3 positions lever, low-speed compression, low-speed rebound, air preload. Trunnion top mount, 25x10mm bottom bushings
<b>SHOCK SETTINGS</b>	Medium compression, Medium rebound, 0.4 volume spacer
<b>FORK</b>	Fox 36 29 Float GRIP2 Factory Kashima, 160mm, e-bike optimized, tapered steerer tube, Boost 15x110mm axle, 44mm offset, 68mm OD crown. Settings: high and low-speed compression, high and low-speed rebound, air preload
<b>HEADSET</b>	Acros custom for 1-1/2" head tube, angular contact bearings 40x52x7, Internal cable routing
<b>STEM</b>	Onoff Krypton FG 30mm, CNC, 31.8mm barbore
<b>HANDLEBAR</b>	Onoff Krypton Carbon 1.0, rise: 25mm, width: 800mm, 9° backsweep, 5° upsweep, 31.8mm barbore
<b>GRIPS</b>	Onoff Diamond, 1lock-on, 135mm
<b>SEATPOST</b>	RockShox Reverb Stealth AXS, diameter 31.6mm, S size: 390x125mm, M size: 440x150mm, L/XL size: 440x170mm
<b>SADDLE</b>	Fizik Antares Large R1
<b>FRONT BRAKE</b>	Sram G2 Ultimate, 4-piston caliper, Centerline 200mm IS 6 bolts one-piece rotor, steel-backed organic pads
<b>REAR BRAKE</b>	Sram G2 RUltimate, 4-piston caliper, Centerline 200mm IS 6 bolts one-piece rotor, steel-backed organic pads
<b>BRAKE LEVER</b>	Sram G2 Ultimate, Carbon lever, SwingLink and lever pivot bearings, tools-free reach and contact point adjust
<b>RIMS</b>	DT Swiss HXC1501 Carbon Spline 29, 30mm internal width, hookless, tubeless ready, 28 spokes
<b>SPOKES</b>	DT Hybrid SP, straightpull
<b>FRONT HUB</b>	DT 240, Boost 15x110mm, CenterLock
<b>REAR HUB</b>	DT 240, Boost 12x148mm, 24T Ratchet system, CenterLock, XD freehub

<b>FRONT TIRE</b>	Maxxis Rekon 29x2.6, tubeless ready, 3C MAXX TERRA, EXO+ Protection, 120TPI, folding bead
<b>REAR TIRE</b>	Maxxis Rekon 29x2.6, tubeless ready, 3C MAXX TERRA, EXO+ Protection, 120TPI, folding bead
<b>CRANKSET</b>	E.13 TRS Race carbon ebike, 165mm
<b>RINGS</b>	Sram X-Sync 2 Eagle 34T, alloy, narrow-wide, 104 BCD
<b>PEDALS</b>	---
<b>CHAIN</b>	Sram GX Eagle, 12s, Powerlock
<b>FRONT DERRAILLEUR</b>	---
<b>REAR DERRAILLEUR</b>	Sram XX1 Eagle AXS, Type 2.1 roller bearing clutch, cage lock, long carbon cage, 1x12s, X-actuation 1:1
<b>SHIFT LEVERS</b>	Sram Eagle AXS, 12s
<b>CASSETTE</b>	Sram XG-1295, 10-50T, 12s
<b>MOTOR</b>	Bosch Performance Line CX Cruise (25Km/h) GEN4 BS3
<b>BATTERY</b>	Bosch Powertube 750Wh
<b>DISPLAY</b>	Bosch Kiox 300
<b>DERRAILLEUR HANGER</b>	Mondraker M068
<b>OTHERS</b>	---
<b>WEIGHT</b>	---



## e-MTB ENDURO

**CRAFTY CARBON XR**

Gloss British Racing Green / Matte Carbon UD / Yellow

<b>FRAME</b>	Crafty Stealth Air full Carbon, e-Bike Optimized Zero Suspension System, 150mm travel, Forward Geometry, internal non-removable battery, Boost 12x148mm rear axle, tapered head tube, one-piece Monoblock upper link, HHG internal cable routing, MAX capacity sealed bearings, oversize 17mm axles, integrated dropout speed sensor, exclusive plastic motor covers
<b>SIZES</b>	S: 380mm / M: 420mm / L: 450mm / XL: 490mm
<b>REAR SHOCK</b>	Öhlins TTX Air 205X65mm. Settings: high speed compression lever with climb mode, low-speed compression, rebound, air preload. Trunnion top mount, 25x10mm bottom bushings
<b>SHOCK SETTINGS</b>	C40 compression, R60 rebound
<b>FORK</b>	Öhlins RXF 38 M.2 29, 170mm, TTX18 Twin Tube cartridge, tapered steerer tube, Boost 15x110mm axle, offset 44mm. Settings: high speed compression lever with climb mode, low-speed compression, rebound, air preload, ramp chamber
<b>HEADSET</b>	Acros custom for 1-1/2" head tube, angular contact bearings 40x52x7, Internal cable routing
<b>STEM</b>	Onoff Krypton FG 30mm, CNC, 31.8mm barbore
<b>HANDLEBAR</b>	Onoff Krypton Carbon 1.0, rise: 25mm, width: 800mm, 9° backsweep, 5° upsweep, 31.8mm barbore
<b>GRIPS</b>	Onoff Diamond, 1lock-on, 135mm
<b>SEATPOST</b>	Onoff Pija dropper internal, diameter 31.6mm, S size: 387x125mm, M size: 425x150mm, L/XL size: 465x170mm
<b>SADDLE</b>	Fizik Terra Aidon X5 145mm
<b>FRONT BRAKE</b>	Sram Code RSC, oversized 4-piston caliper, Centerline 200mm IS 6 bolts one-piece rotor, steel-backed metal sintered pads
<b>REAR BRAKE</b>	Sram Code RSC, oversized 4-piston caliper, Centerline 200mm IS 6 bolts one-piece rotor, steel-backed metal sintered pads
<b>BRAKE LEVER</b>	Sram Code RSC, SwingLink and lever pivot bearings, tools-free reach and contact point adjust
<b>RIMS</b>	Mavic E-Deemax S 29, 30mm internal width, Maxtal welded, PFR, tubeless, 28 spokes
<b>SPOKES</b>	Mavic straightpull double butted, contactless lacing
<b>FRONT HUB</b>	Mavic, Boost 15x110mm, IS 6 bolts
<b>REAR HUB</b>	Mavic, Boost 12x148mm, ID360 Ratched system, IS 6 bolts, XD freehub

<b>FRONT TIRE</b>	Maxxis Minion DHF 29x2.6, tubeless ready, 3C MAXX TERRA, EXO+ Protection, 120TPI, folding bead
<b>REAR TIRE</b>	Maxxis Minion DHR II 29x2.6, tubeless ready, 3C MAXX TERRA, EXO+ Protection, 120TPI, folding bead
<b>CRANKSET</b>	E.13 TRS Race carbon ebike, 165mm
<b>RINGS</b>	Sram X-Sync 2 Eagle 34T, steel, narrow-wide, 104 BCD
<b>PEDALS</b>	---
<b>CHAIN</b>	Sram NX Eagle, 12s, Powerlock
<b>FRONT DERRAILLEUR</b>	---
<b>REAR DERRAILLEUR</b>	Sram X01 Eagle, Type 3 roller bearing clutch, cage lock, 1x12s, X-Actuation 1:1
<b>SHIFT LEVERS</b>	Sram Trigger GX Eagle, 12s, X-Actuation 1:1, single click
<b>CASSETTE</b>	Sram XG-1275, 10-52T, 12s
<b>MOTOR</b>	Bosch Performance Line CX Cruise (25Km/h) GEN4 BS3
<b>BATTERY</b>	Bosch Powertube 750Wh
<b>DISPLAY</b>	Bosch Kiox 300
<b>DERRAILLEUR HANGER</b>	Mondraker M068
<b>OTHERS</b>	---
<b>WEIGHT</b>	---



## e-MTB ENDURO

**CRAFTY CARBON RR**

Matte Carbon UD / Gloss Cherry Red

<b>FRAME</b>	Crafty Stealth Air full Carbon, e-Bike Optimized Zero Suspension System, 150mm travel, Forward Geometry, internal non-removable battery, Boost 12x148mm rear axle, tapered head tube, one-piece Monoblock upper link, HHG internal cable routing, MAX capacity sealed bearings, oversize 17mm axles, integrated dropout speed sensor, exclusive plastic motor covers
<b>SIZES</b>	S: 380mm / M: 420mm / L: 450mm / XL: 490mm
<b>REAR SHOCK</b>	Fox Float-X LV Factory Kashima, 205x65mm. Settings: compression 2 positions lever, low-speed compression, low-speed rebound, air preload. Trunnion top mount, 25x10mm bottom bushings
<b>SHOCK SETTINGS</b>	Medium compression, Medium rebound, 0.4 volume spacer
<b>FORK</b>	Fox 38 29 Float GRIP2 Factory Kashima, 160mm, e-bike optimized, tapered steerer tube, Boost 15x110mm axle, 44mm offset, 68mm OD crown. Settings: high and low-speed compression, high and low-speed rebound, air preload
<b>HEADSET</b>	Acros custom for 1-1/2" head tube, angular contact bearings 40x52x7, Internal cable routing
<b>STEM</b>	Onoff Krypton FG 30mm, CNC, 31.8mm barbore
<b>HANDLEBAR</b>	Onoff Krypton Carbon 1.0, rise: 25mm, width: 800mm, 9° backsweep, 5° upsweep, 31.8mm barbore
<b>GRIPS</b>	Onoff Diamond, 1lock-on, 135mm
<b>SEATPOST</b>	Fox Transfer Factory Kashima internal, diameter 31.6mm, S size: 363.5x125mm, M/L size: 418.3x150mm, XL size: 475.1x175mm
<b>SADDLE</b>	Fizik Terra Aidon X5 145mm
<b>FRONT BRAKE</b>	Sram G2 RSC, 4-piston caliper, Centerline 200mm IS 6 bolts one-piece rotor, steel-backed organic pads
<b>REAR BRAKE</b>	Sram G2 RSC, 4-piston caliper, Centerline 200mm IS 6 bolts one-piece rotor, steel-backed organic pads
<b>BRAKE LEVER</b>	Sram G2 RSC, SwingLink and lever pivot bearings, tools-free reach and contact point adjust
<b>RIMS</b>	Mavic E-Deemax S 29, 30mm internal width, Maxtal welded, PFR, tubeless, 28 spokes
<b>SPOKES</b>	Mavic straightpull double butted, contactless lacing
<b>FRONT HUB</b>	Mavic, Boost 15x110mm, IS 6 bolts
<b>REAR HUB</b>	Mavic, Boost 12x148mm, ID360 Ratched system, IS 6 bolts, XD freehub

<b>FRONT TIRE</b>	Maxxis Minion DHF 29x2.6, tubeless ready, 3C MAXX TERRA, EXO+ Protection, 120TPI, folding bead
<b>REAR TIRE</b>	Maxxis Minion DHR II 29x2.6, tubeless ready, 3C MAXX TERRA, EXO+ Protection, 120TPI, folding bead
<b>CRANKSET</b>	Race Face Aeffect ebike, 165mm
<b>RINGS</b>	Sram X-Sync 2 Eagle 34T, steel, narrow-wide, 104 BCD
<b>PEDALS</b>	---
<b>CHAIN</b>	Sram NX Eagle, 12s, Powerlock
<b>FRONT DERRAILLEUR</b>	---
<b>REAR DERRAILLEUR</b>	Sram X01 Eagle, Type 3 roller bearing clutch, cage lock, 1x12s, X-Actuation 1:1
<b>SHIFT LEVERS</b>	Sram Trigger GX Eagle, 12s, X-Actuation 1:1, single click
<b>CASSETTE</b>	Sram XG-1275, 10-52T, 12s
<b>MOTOR</b>	Bosch Performance Line CX Cruise (25Km/h) GEN4 BS3
<b>BATTERY</b>	Bosch Powertube 750Wh
<b>DISPLAY</b>	Bosch Kiox 300
<b>DERRAILLEUR HANGER</b>	Mondraker M068
<b>OTHERS</b>	---
<b>WEIGHT</b>	---



## e-MTB ENDURO

**CRAFTY CARBON R**

Matte Carbon UD / Gloss Racing Silver

<b>FRAME</b>	Crafty Stealth Air full Carbon, e-Bike Optimized Zero Suspension System, 150mm travel, Forward Geometry, internal non-removable battery, Boost 12x148mm rear axle, tapered head tube, one-piece Monoblock upper link, HHG internal cable routing, MAX capacity sealed bearings, oversize 17mm axles, integrated dropout speed sensor, exclusive plastic motor covers.
<b>SIZES</b>	S: 380mm / M: 420mm / L: 450mm / XL: 490mm
<b>REAR SHOCK</b>	Fox Float-X LV Performance, 205x65mm. Settings: compression 2 positions lever, low-speed rebound, air preload. Trunnion top mount, 25x10mm bottom bushings
<b>SHOCK SETTINGS</b>	Medium compression, Medium rebound, 0.4 volume spacer
<b>FORK</b>	Fox 38 29 Float GRIP Performance, 160mm, e-bike optimized, tapered steerer tube, Boost 15x110mm axle, 44mm offset, 68mm OD crown. Settings: 3 positions with micro adjust compression, low-speed rebound, air preload
<b>HEADSET</b>	Acros custom for 1-1/2" head tube, angular contact bearings 40x52x7, Internal cable routing
<b>STEM</b>	Onoff Krypton FG 30mm, CNC, 31.8mm barbore
<b>HANDLEBAR</b>	Onoff Krypton 1.0 double butted 6061 alloy, rise: 20mm, width: 800mm, 9° backsweep, 5° upsweep, 31.8mm barbore
<b>GRIPS</b>	Onoff Diamond, 1lock-on, 135mm
<b>SEATPOST</b>	Onoff Pija dropper internal, diameter 31.6mm, S size: 387x125mm, M size: 425x150mm, L/XL size: 465x170mm
<b>SADDLE</b>	Fizik Terra Aidon X5 145mm
<b>FRONT BRAKE</b>	Sram G2 RS, 4-piston caliper, Centerline 200mm IS 6 bolts one-piece rotor, steel-backed organic pads
<b>REAR BRAKE</b>	Sram G2 RS, 4-piston caliper, Centerline 200mm IS 6 bolts one-piece rotor, steel-backed organic pads
<b>BRAKE LEVER</b>	Sram G2 RS, SwingLink and lever pivot bearings, tools-free reach and contact point adjust
<b>RIMS</b>	Mavic E-Deemax 29, 30mm internal width, welded, PFR tubeless ready, 28 spokes
<b>SPOKES</b>	Mavic J-bend double butted, contactless lacing
<b>FRONT HUB</b>	Mavic, Boost 15x110mm, IS 6 bolts
<b>REAR HUB</b>	Mavic, Boost 12x148mm, ID360 Ratched system, IS 6 bolts

<b>FRONT TIRE</b>	Maxxis Minion DHF 29x2.6, tubeless ready, 3C MAXX TERRA, EXO+ Protection, 120TPI, folding bead
<b>REAR TIRE</b>	Maxxis Minion DHR II 29x2.6, tubeless ready, 3C MAXX TERRA, EXO+ Protection, 120TPI, folding bead
<b>CRANKSET</b>	Race Face Aeffect ebike, 165mm
<b>RINGS</b>	Sram X-Sync 2 Eagle 34T, alloy, narrow-wide, 104 BCD
<b>PEDALS</b>	---
<b>CHAIN</b>	Sram NX Eagle, 12s, Powerlock
<b>FRONT DERRAILLEUR</b>	---
<b>REAR DERRAILLEUR</b>	Sram GX Eagle, Type 3 roller bearing clutch, cage lock, 1x12s, X-Actuation 1:1
<b>SHIFT LEVERS</b>	Sram Trigger NX Eagle, 12s, X-Actuation 1:1, single click
<b>CASSETTE</b>	Sram XG-1230, 11-50T, 12s
<b>MOTOR</b>	Bosch Performance Line CX Cruise (25Km/h) GEN4 BS3
<b>BATTERY</b>	Bosch Powertube 750Wh
<b>DISPLAY</b>	Bosch Kiox 300
<b>DERRAILLEUR HANGER</b>	Mondraker M068
<b>OTHERS</b>	---
<b>WEIGHT</b>	---





## e-MTB ENDURO

## CRAFTY XR

Gloss Flame Red / Deep Purple

<b>FRAME</b>	Crafty 6061 Alloy Stealth Evo, e-Bike Optimized Zero Suspension System, 150mm travel, Forward Geometry, internal non-removable battery with integrated alloy cover, Boost 12x148mm rear axle, tapered head tube, one-piece Monoblock upper link, HHG internal cable routing, MAX capacity sealed bearings, oversize 17mm axles, integrated dropout speed sensor, exclusive plastic motor covers
<b>SIZES</b>	S: 380mm / M: 420mm / L: 450mm / XL: 490mm
<b>REAR SHOCK</b>	Öhlins TTX Air 205X65mm. Settings: high speed compression lever with climb mode, low-speed compression, rebound, air preload. Trunnion top mount, 25x10mm bottom bushings
<b>SHOCK SETTINGS</b>	C40 compression, R60 rebound
<b>FORK</b>	Öhlins RXF 38 29, 170mm, TTX18 Twin Tube cartridge, tapered steerer tube, Boost 15x110mm axle, offset 44mm. Settings: high speed compression lever with climb mode, low-speed compression, rebound, air preload, ramp chamber
<b>HEADSET</b>	Onoff Saturn tapered for 1-1/8" to 1-1/2" head tube, ACB sealed bearings, top 41x30.2x7x45°x45°, bottom 51.9x40x8x45°x45°
<b>STEM</b>	Onoff Sulfur FG 30mm 0°, 6061 forged alloy, 31.8mm barbare
<b>HANDLEBAR</b>	Onoff Sulfur 1.0 double butted 6061 alloy, rise: 20mm, width: 800mm, 9° backsweep, 5° upsweep, 31.8mm barbare
<b>GRIPS</b>	Onoff Diamond, 1lock-on, 135mm
<b>SEATPOST</b>	Onoff Pija dropper internal, diameter 31.6mm, S size: 387x125mm, M size: 425x150mm, L/XL size: 465x170mm
<b>SADDLE</b>	Fizik Terra Aidon X5 145mm
<b>FRONT BRAKE</b>	Sram Code R, oversized 4-piston caliper, Centerline 200mm IS 6 bolts one-piece rotor, steel-backed metal sintered pads
<b>REAR BRAKE</b>	Sram Code R, oversized 4-piston caliper, Centerline 200mm IS 6 bolts one-piece rotor, steel-backed metal sintered pads
<b>BRAKE LEVER</b>	Sram Code R, tool-free reach adjust
<b>RIMS</b>	Mavic E-Deemax S 29, 30mm internal width, Maxtal welded, PFR, tubeless, 28 spokes
<b>SPOKES</b>	Mavic straightpull duple butted, contactless lacing
<b>FRONT HUB</b>	Mavic, Boost 15x110mm, IS 6 bolts
<b>REAR HUB</b>	Mavic, Boost 12x148mm, ID360 Ratched system, IS 6 bolts, XD freehub

<b>FRONT TIRE</b>	Maxxis Minion DHF 29x2.6, tubeless ready, 3C MAXX TERRA, EXO+ Protection, 120TPI, folding bead
<b>REAR TIRE</b>	Maxxis Minion DHR II 29x2.6, tubeless ready, 3C MAXX TERRA, EXO+ Protection, 120TPI, folding bead
<b>CRANKSET</b>	Race Face Aeffect ebike, 165mm
<b>RINGS</b>	Sram X-Sync 2 Eagle 34T, steel, narrow-wide, 104 BCD
<b>PEDALS</b>	---
<b>CHAIN</b>	Sram NX Eagle, 12s, Powerlock
<b>FRONT DERRAILLEUR</b>	---
<b>REAR DERRAILLEUR</b>	Sram GX Eagle, Type 3 roller bearing clutch, cage lock, 1x12s, X-Actuation 1:1
<b>SHIFT LEVERS</b>	Sram Trigger GX Eagle, 12s, X-Actuation 1:1, single click
<b>CASSETTE</b>	Sram XG-1275, 10-52T, 12s
<b>MOTOR</b>	Bosch Performance Line CX Cruise (25Km/h) GEN4 BS3
<b>BATTERY</b>	Bosch Powertube 750Wh
<b>DISPLAY</b>	Bosch Kiox 300
<b>DERRAILLEUR HANGER</b>	Mondraker M068
<b>OTHERS</b>	---
<b>WEIGHT</b>	---





## e-MTB ENDURO

## CRAFTY RR

Gloss Marlin Blue / Racing Silver

<b>FRAME</b>	Crafty 6061 Alloy Stealth Evo, e-Bike Optimized Zero Suspension System, 150mm travel, Forward Geometry, internal non-removable battery with integrated alloy cover, Boost 12x148mm rear axle, tapered head tube, one-piece Monoblock upper link, HHG internal cable routing, MAX capacity sealed bearings, oversize 17mm axles, integrated dropout speed sensor, exclusive plastic motor covers
<b>SIZES</b>	S: 380mm / M: 420mm / L: 450mm / XL: 490mm
<b>REAR SHOCK</b>	Fox Float-X LV Factory Kashima, 205x65mm. Settings: compression 3 positions lever, low-speed compression, low-speed rebound, air preload. Trunnion top mount, 25x10mm bottom bushings
<b>SHOCK SETTINGS</b>	CEC001 compression, Medium rebound, 0.2 volume spacer
<b>FORK</b>	Fox 38 29 Float GRIP2 Factory Kashima, 160mm, e-bike tuned, tapered steerer tube, Boost 15x110mm axle, offset 44mm. Settings: 3 positions with micro adjust compression, low-speed rebound, air preload
<b>HEADSET</b>	Onoff Saturn tapered for 1-1/8" to 1-1/2" head tube, ACB sealed bearings, top 41x30.2x7x45°x45°, bottom 51.9x40x8x45°x45°
<b>STEM</b>	Onoff Sulfur FG 30mm 0°, 6061 forged alloy, 31.8mm barbare
<b>HANDLEBAR</b>	Onoff Sulfur 1.0 double butted 6061 alloy, rise: 20mm, width: 800mm, 9° backsweep, 5° upsweep, 31.8mm barbare
<b>GRIPS</b>	Onoff Diamond, 1lock-on, 135mm
<b>SEATPOST</b>	Fox Transfer Factory Kashima internal, diameter 31.6mm, S size: 363.5x125mm, M/L size: 418.3x150mm, XL size: 475.1x175mm
<b>SADDLE</b>	Fizik Terra Aidon X5 145mm
<b>FRONT BRAKE</b>	Sram Code R, oversized 4-piston caliper, Centerline 200mm IS 6 bolts one-piece rotor, steel-backed metal sintered pads
<b>REAR BRAKE</b>	Sram Code R, oversized 4-piston caliper, Centerline 200mm IS 6 bolts one-piece rotor, steel-backed metal sintered pads
<b>BRAKE LEVER</b>	Sram Code R, tool-free reach adjust
<b>RIMS</b>	Mavic E-Deemax 29, 30mm internal width, welded, PFP, tubeless ready, 28 spokes
<b>SPOKES</b>	Mavic J-bend duple butted, contactless lacing
<b>FRONT HUB</b>	Mavic, Boost 15x110mm, IS 6 bolts
<b>REAR HUB</b>	Mavic, Boost 12x148mm, ID360 Ratched system, IS 6 bolts

<b>FRONT TIRE</b>	Maxxis Minion DHF 29x2.6, tubeless ready, 3C MAXX TERRA, EXO+ Protection, 120TPI, folding bead
<b>REAR TIRE</b>	Maxxis Minion DHR II 29x2.6, tubeless ready, 3C MAXX TERRA, EXO+ Protection, 120TPI, folding bead
<b>CRANKSET</b>	Race Face Aeffect ebike, 165mm
<b>RINGS</b>	Sram X-Sync 2 Eagle 34T, steel, narrow-wide, 104 BCD
<b>PEDALS</b>	---
<b>CHAIN</b>	Sram NX Eagle, 12s, Powerlock
<b>FRONT DERRAILLEUR</b>	---
<b>REAR DERRAILLEUR</b>	Sram GX Eagle, Type 3 roller bearing clutch, cage lock, 1x12s, X-Actuation 1:1
<b>SHIFT LEVERS</b>	Sram Trigger GX Eagle, 12s, X-Actuation 1:1, single click
<b>CASSETTE</b>	Sram XG-1230, 11-50T, 12s
<b>MOTOR</b>	Bosch Performance Line CX Cruise (25Km/h) GEN4 BS3
<b>BATTERY</b>	Bosch Powertube 750Wh
<b>DISPLAY</b>	Bosch Kiox 300
<b>DERAILLEUR HANGER</b>	Mondraker M068
<b>OTHERS</b>	---
<b>WEIGHT</b>	---



## e-MTB ENDURO

## CRAFTY R

Color 1: Gloss Black / Graphite - Color 2: Gloss Black / Cherry Red

<b>FRAME</b>	Crafty 6061 Alloy Stealth Evo, e-Bike Optimized Zero Suspension System, 150mm travel, Forward Geometry, internal non-removable battery with integrated alloy cover, Boost 12x148mm rear axle, tapered head tube, one-piece Monoblock upper link, HHG internal cable routing, MAX capacity sealed bearings, oversize 17mm axles, integrated dropout speed sensor, exclusive plastic motor covers
<b>SIZES</b>	S: 380mm / M: 420mm / L: 450mm / XL: 490mm
<b>REAR SHOCK</b>	Fox Float-X LV Performance, 205x65mm. Settings: compression 2 positions lever, low-speed rebound, air preload. Trunnion top mount, 25x10mm bottom bushings
<b>SHOCK SETTINGS</b>	Medium compression, medium rebound, air volume spacer 0.2
<b>FORK</b>	Fox 38 29 Float FIT GRIP EVOL Performance, 160mm, e-bike tuned, tapered steerer tube, Boost 15x110mm axle, 44mm offset. Settings: 3 positions with micro adjust compression, low-speed rebound, air preload
<b>HEADSET</b>	Onoff Saturn tapered for 1-1/8" to 1-1/2" head tube, ACB sealed bearings, top 41x30.2x7x45°x45°, bottom 51.9x40x8x45°x45°
<b>STEM</b>	Onoff Sulfur FG 30mm 0°, 6061 forged alloy, 31.8mm barbare
<b>HANDLEBAR</b>	Onoff Sulfur 1.0 double butted 6061 alloy, rise: 20mm, width: 800mm, 9° backsweep, 5° upsweep, 31.8mm barbare
<b>GRIPS</b>	Onoff Diamond, 1lock-on, 135mm
<b>SEATPOST</b>	Onoff Pija dropper internal, diameter 31.6mm, S size: 387x125mm, M size: 425x150mm, L/XL size: 465x170mm
<b>SADDLE</b>	Fizik Terra Aidon X5 145mm
<b>FRONT BRAKE</b>	Sram G2 R, 4-piston caliper, Centerline 200mm IS 6 bolts one-piece rotor, steel-backed organic pads
<b>REAR BRAKE</b>	Sram G2 R, 4-piston caliper, Centerline 200mm IS 6 bolts one-piece rotor, steel-backed organic pads
<b>BRAKE LEVER</b>	Sram G2 R, tool-free reach adjust
<b>RIMS</b>	Mavic E-Deemax 29, 30mm internal width, welded, PFR, tubeless ready, 28 spokes
<b>SPOKES</b>	Mavic J-bend duple butted, contactless lacing
<b>FRONT HUB</b>	Mavic, Boost 15x110mm, IS 6 bolts
<b>REAR HUB</b>	Mavic, Boost 12x148mm, ID360 Ratched system, IS 6 bolts

<b>FRONT TIRE</b>	Maxxis Minion DHF 29x2.6, tubeless ready, 3C MAXX TERRA, EXO+ Protection, 120TPI, folding bead
<b>REAR TIRE</b>	Maxxis Minion DHR II 29x2.6, tubeless ready, 3C MAXX TERRA, EXO+ Protection, 120TPI, folding bead
<b>CRANKSET</b>	Race Face Aeffect ebike, 165mm
<b>RINGS</b>	Sram X-Sync 2 Eagle 34T, steel, narrow-wide, 104 BCD
<b>PEDALS</b>	---
<b>CHAIN</b>	Sram SX Eagle, 12s, Powerlock
<b>FRONT DERRAILLEUR</b>	---
<b>REAR DERRAILLEUR</b>	Sram GX Eagle, Type 3 roller bearing clutch, cage lock, 1x12s, X-Actuation 1:1
<b>SHIFT LEVERS</b>	Sram Trigger NX Eagle, 12s, X-Actuation 1:1, single click
<b>CASSETTE</b>	Sram PG-1210, 11-50T, 12s
<b>MOTOR</b>	Bosch Performance Line CX Cruise (25Km/h) GEN4 BS3
<b>BATTERY</b>	Bosch Powertube 750Wh
<b>DISPLAY</b>	Bosch Kiox 300
<b>DERRAILLEUR HANGER</b>	Mondraker M068
<b>OTHERS</b>	---
<b>WEIGHT</b>	---



## e-MTB ENDURO

## CHASER R

Gloss Marlin Blue / Black

<b>FRAME</b>	Chaser 6061 Alloy Stealth Evo, e-Bike Optimized Zero Suspension System, 150mm travel, Forward Geometry, internal non-removable battery, Boost 12x148mm rear axle, tapered head tube, one-piece Monoblock upper link, HHG internal cable routing, MAX capacity sealed bearings, oversize 17mm axles, integrated dropout speed sensor, exclusive plastic motor covers, shock mudguard
<b>SIZES</b>	S: 380mm / M: 420mm / L: 450mm / XL: 490mm
<b>REAR SHOCK</b>	Fox Float DPS Performance, 205x65mm. Settings: Compression 3 positions lever, low-speed rebound, air preload. Trunnion top mount, 25x10mm bottom bushings
<b>SHOCK SETTINGS</b>	Light compression, Light rebound, 1 Token
<b>FORK</b>	Fox 36 29 Float FIT GRIP EVOL Rythm, 160mm, e-bike tuned, tapered steerer tube, Boost 15x110mm axle, 44mm offset. Settings: sweep adjust compression, Low-speed rebound, air preload
<b>HEADSET</b>	Onoff Saturn tapered for 1-1/8" to 1-1/2" head tube, ACB sealed bearings, top 41x30.2x7x45°x45°, bottom 51.9x40x8x45°x45°
<b>STEM</b>	Onoff Sulfur FG 30mm 0°, 6061 forged alloy, 31.8mm barbare
<b>HANDLEBAR</b>	Onoff Sulfur 1.0 double butted 6061 alloy, rise: 20mm, width: 800mm, 9° backsweep, 5° upsweep, 31.8mm barbare
<b>GRIPS</b>	Onoff Diamond, 1lock-on, 135mm
<b>SEATPOST</b>	Onoff Pija dropper internal, diameter 31.6mm, S size: 387x125mm, M size: 425x150mm, L/XL size: 465x170mm
<b>SADDLE</b>	Fizik Terra Aidon X5 145mm
<b>FRONT BRAKE</b>	Sram G2 R, 4-piston caliper, Centerline 200mm IS 6 bolts one-piece rotor, steel-backed organic pads
<b>REAR BRAKE</b>	Sram G2 R, 4-piston caliper, Centerline 200mm IS 6 bolts one-piece rotor, steel-backed organic pads
<b>BRAKE LEVER</b>	Sram G2 R, tool-free reach adjust
<b>RIMS</b>	Mavic E-Deemax 29, 30mm internal width, welded, PFR, tubeless ready, 28 spokes
<b>SPOKES</b>	Mavic J-bend duple butted, contactless lacing
<b>FRONT HUB</b>	Mavic, Boost 15x110mm, IS 6 bolts
<b>REAR HUB</b>	Mavic, Boost 12x148mm, ID360 Ratched system, IS 6 bolts

<b>FRONT TIRE</b>	Maxxis Rekon 29x2.6, tubeless ready, dual compound, EXO protection, 60TPI, folding bead
<b>REAR TIRE</b>	Maxxis Rekon 29x2.6, tubeless ready, dual compound, EXO protection, 60TPI, folding bead
<b>CRANKSET</b>	Race Face Aeffect ebike, 165mm
<b>RINGS</b>	Sram X-Sync 2 Eagle 34T, steel, narrow-wide, 104 BCD
<b>PEDALS</b>	---
<b>CHAIN</b>	Sram SX Eagle, 12s, Powerlock
<b>FRONT DERRAILLEUR</b>	---
<b>REAR DERRAILLEUR</b>	Sram GX Eagle, Type 3 roller bearing clutch, cage lock, 1x12s, X-Actuation 1:1
<b>SHIFT LEVERS</b>	Sram Trigger SX Eagle, 12s, X-Actuation 1:1, single click
<b>CASSETTE</b>	Sram PG-1210, 11-50T, 12s
<b>MOTOR</b>	Bosch Performance Line CX Cruise (25Km/h) GEN4 BS3
<b>BATTERY</b>	Bosch Powertube 750Wh
<b>DISPLAY</b>	Bosch Kiox 300
<b>DERAILLEUR HANGER</b>	Mondraker M068
<b>OTHERS</b>	---
<b>WEIGHT</b>	---



## e-MTB TRAIL

## PRIME R

Gloss Cherry Red / Black

<b>FRAME</b>	Prime Xtralite 6061 Full Butted Alloy, Forward Geometry, internal non-removable battery, tapered head tube, Boost 12x148mm rear axle, integrated dropout speed sensor
<b>SIZES</b>	XS: 380mm / S: 390mm / M: 430mm / L: 470mm / XL: 510mm
<b>REAR SHOCK</b>	---
<b>SHOCK SETTINGS</b>	---
<b>FORK</b>	RockShox Recon Silver RL 29, 120mm, Motion control, Solo Air, tapered steerer tube, Boost 15x110mm axle, 42mm offset. Settings: compression adjustment at low-speed to lock, rebound, air preload
<b>HEADSET</b>	Onoff Saturn tapered for 1-1/8" to 1-1/2" head tube, ACB sealed bearings, top 41x30.2x7x45°x45°, bottom 51.9x40x8x45°x45°
<b>STEM</b>	Onoff Sulfur FG 30mm 0°, 6061 forged alloy, 31.8mm barbare
<b>HANDLEBAR</b>	Onoff Sulfur 1.0 double butted 6061 alloy, rise: 20mm, width: 800mm, 9° backsweep, 5° upsweep, 31.8mm barbare
<b>GRIPS</b>	Onoff Diamond, 1lock-on, 135mm
<b>SEATPOST</b>	Onoff Pija dropper internal, diameter 31.6mm, S size: 387x125mm, M size: 425x150mm, L/XL size: 465x170mm
<b>SADDLE</b>	Fizik Terra Aidon X5 145mm
<b>FRONT BRAKE</b>	Sram G2 R, 4-piston caliper, Centerline 200mm IS 6 bolts one-piece rotor, steel-backed organic pads
<b>REAR BRAKE</b>	Sram G2 R, 4-piston caliper, Centerline 200mm IS 6 bolts one-piece rotor, steel-backed organic pads
<b>BRAKE LEVER</b>	Sram G2 R, tool-free reach adjust
<b>RIMS</b>	MDK-HP1 29, 30mm internal width, tubeless ready, 32 spokes
<b>SPOKES</b>	CN round stainless steel
<b>FRONT HUB</b>	Formula DC711, Boost 15x110mm, sealed bearings, IS 6 bolts
<b>REAR HUB</b>	Formula EHL148 Boost 12x148mm, sealed bearings, IS 6 bolts

<b>FRONT TIRE</b>	Maxxis Rekon 29x2.6, tubeless ready, dual compound, EXO protection, 60TPI, folding bead
<b>REAR TIRE</b>	Maxxis Rekon 29x2.6, tubeless ready, dual compound, EXO protection, 60TPI, folding bead
<b>CRANKSET</b>	Race Face Aeffect ebike, 165mm
<b>RINGS</b>	Sram X-Sync 2 Eagle 34T, steel, narrow-wide, 104 BCD
<b>PEDALS</b>	---
<b>CHAIN</b>	Sram SX Eagle, 12s, Powerlock
<b>FRONT DERRAILLEUR</b>	---
<b>REAR DERRAILLEUR</b>	Sram SX Eagle, Type 3 roller bearing clutch, cage lock, long cage, 1x12s, X-actuation 1:1
<b>SHIFT LEVERS</b>	Sram Trigger SX Eagle, 12s, X-Actuation 1:1, single click
<b>CASSETTE</b>	Sram PG-1210, 11-50T, 12s
<b>MOTOR</b>	Bosch Performance Line CX Cruise (25Km/h) GEN4 BS3
<b>BATTERY</b>	Bosch Powertube 750Wh
<b>DISPLAY</b>	Bosch Kiox 300
<b>DERRAILLEUR HANGER</b>	Mondraker M068
<b>OTHERS</b>	---
<b>WEIGHT</b>	---



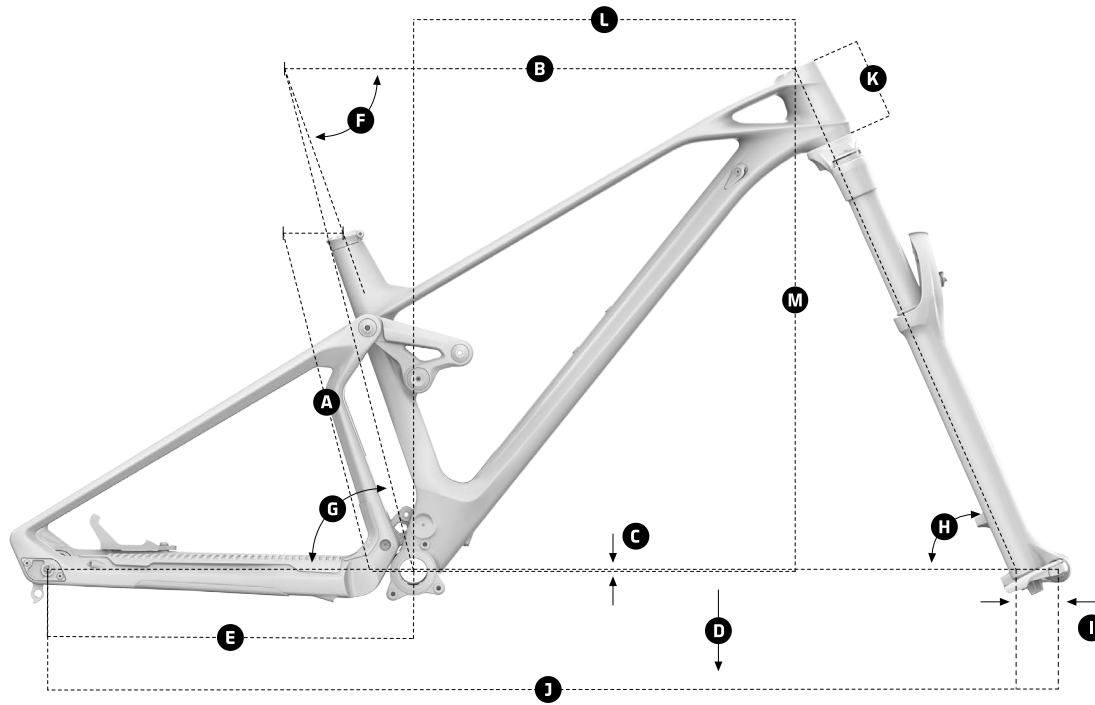
## e-MTB TRAIL

## PRIME RX

Gloss Black / Marlin Blue

<b>FRAME</b>	Prime 6061 Xtralite Full Butted Alloy, Forward Geometry, internal non-removable battery, tapered head tube, Boost 12x148mm rear axle, integrated dropout speed sensor
<b>SIZES</b>	XS: 380mm / S: 390mm / M: 430mm / L: 470mm / XL: 510mm
<b>REAR SHOCK</b>	---
<b>SHOCK SETTINGS</b>	---
<b>FORK</b>	RockShox Recon Silver RL 29, 120mm, Motion control, Solo Air, tapered steerer tube, Boost 15x110mm axle, 42mm offset. Settings: compression adjustment at low-speed to lock, rebound, air preload
<b>HEADSET</b>	Onoff Saturn tapered for 1-1/8" to 1-1/2" head tube, ACB sealed bearings, top 41x30.2x7x45°x45°, bottom 51.9x40x8x45°x45°
<b>STEM</b>	Onoff Sulfur FG 30mm 0°, 6061 forged alloy, 31.8mm barbare
<b>HANDLEBAR</b>	Onoff Sulfur 1.0 double butted 6061 alloy, rise: 20mm, width: 800mm, 9° backsweep, 5° upsweep, 31.8mm barbare
<b>GRIPS</b>	Onoff Diamond, 1lock-on, 135mm
<b>SEATPOST</b>	Onoff Pija dropper internal, diameter 31.6mm, S size: 387x125mm, M size: 425x150mm, L/XL size: 465x170mm
<b>SADDLE</b>	Fizik Terra Aidon X5 145mm
<b>FRONT BRAKE</b>	Sram G2 R, 4-piston caliper, Centerline 200mm IS 6 bolts one-piece rotor, steel-backed organic pads
<b>REAR BRAKE</b>	Sram G2 R, 4-piston caliper, Centerline 200mm IS 6 bolts one-piece rotor, steel-backed organic pads
<b>BRAKE LEVER</b>	Sram G2 R, tool-free reach adjust
<b>RIMS</b>	MDK-HP1 29, 30mm internal width, tubeless ready, 32 spokes
<b>SPOKES</b>	CN round stainless steel
<b>FRONT HUB</b>	Formula DC711, Boost 15x110mm, sealed bearings, IS 6 bolts
<b>REAR HUB</b>	Formula EHL148 Boost 12x148mm, sealed bearings, IS 6 bolts

<b>FRONT TIRE</b>	Maxxis Gritter 29x2.5, single compound, 60TPI, wire bead, tanned wall
<b>REAR TIRE</b>	Maxxis Gritter 29x2.5, single compound, 60TPI, wire bead, tanned wall
<b>CRANKSET</b>	Race Face Aeffect ebike, 165mm
<b>RINGS</b>	Sram X-Sync 2 Eagle 34T, steel, narrow-wide, 104 BCD
<b>PEDALS</b>	---
<b>CHAIN</b>	Sram SX Eagle, 12s, Powerlock
<b>FRONT DERRAILLEUR</b>	---
<b>REAR DERRAILLEUR</b>	Sram SX Eagle, Type 3 roller bearing clutch, cage lock, long cage, 1x12s, X-actuation 1:1
<b>SHIFT LEVERS</b>	Sram Trigger SX Eagle, 12s, X-Actuation 1:1, single click
<b>CASSETTE</b>	Sram PG-1210, 11-50T, 12s
<b>MOTOR</b>	Bosch Performance Line CX Cruise (25Km/h) GEN4 BS3
<b>BATTERY</b>	Bosch Powertube 750Wh
<b>DISPLAY</b>	Bosch Kiox 300
<b>DERAILLEUR HANGER</b>	Mondraker M068
<b>OTHERS</b>	Front light: 50LUX output DC 6-12V, waterproof Alloy cage. Rear Light: Fender Mount, w/ Reflective, e-bike version, 6-12V. Fenders: Alloy black MDK custom fenders. Rack: Alloy MDK rear Rack, Max loading 25kg. Kickstand: Massload KSA18-40
<b>WEIGHT</b>	---



- A** Seat Tube Length
- B** Top Tube Length
- C** Bottom Bracket Drop
- D** Bottom Bracket Height
- E** Chainstay Length
- F** Seat Tube Angle, Actual
- G** Seat Tube Angle, Effective
- H** Head Tube Angle
- I** Fork Offset
- J** Wheelbase
- K** Head Tube Length
- L** Reach
- M** Stack



### e-MTB SUPER ENDURO LEVEL

Size	S	M	L	XL
<b>A</b> Seat Tube Length	380 mm	420 mm	450 mm	490 mm
<b>B</b> Top Tube Length	602 mm	622 mm	647 mm	667 mm
<b>C</b> Bottom Bracket Drop	-15 mm	-15 mm	-15 mm	-15 mm
<b>D</b> Bottom Bracket Height	357 mm	357 mm	357 mm	357 mm
<b>E</b> Chainstay Legth	455 mm	455 mm	455 mm	455 mm
<b>F</b> Seat Tube Angle, Actual	73.5°	73.5°	73.5°	73.5°
<b>G</b> Seat Tube Angle, Effective	76.5°	76.5°	76.5°	76.5°
<b>H</b> Head Tube Angle	65°	65°	65°	65°
<b>I</b> Fork Offset	44 mm	44 mm	44 mm	44 mm
<b>J</b> Wheelbase	1250 mm	1270 mm	1290 mm	1310 mm
<b>K</b> Head Tube Length	110 mm	110 mm	130 mm	130 mm
<b>L</b> Reach	450 mm	470 mm	490 mm	510 mm
<b>M</b> Stack	632 mm	632 mm	652 mm	652 mm





### e-MTB ENDURO CRAFTY CARBON XR

Size	S	M	L	XL
<b>A</b> Seat Tube Length	380 mm	420 mm	450 mm	480 mm
<b>B</b> Top Tube Length	615 mm	635 mm	660 mm	680 mm
<b>C</b> Bottom Bracket Drop	-17 mm	-17 mm	-17 mm	-17 mm
<b>D</b> Bottom Bracket Height	358 mm	358 mm	358 mm	358 mm
<b>E</b> Chainstay Legth	455 mm	455 mm	455 mm	455 mm
<b>F</b> Seat Tube Angle, Actual	72.5°	72.5°	72.5°	72.5°
<b>G</b> Seat Tube Angle, Effective	75°	75°	75°	75°
<b>H</b> Head Tube Angle	64.5°	64.5°	64.5°	64.5°
<b>I</b> Fork Offset	44 mm	44 mm	44 mm	44 mm
<b>J</b> Wheelbase	1235 mm	1255 mm	1280 mm	1300 mm
<b>K</b> Head Tube Length	110 mm	110 mm	130 mm	130 mm
<b>L</b> Reach	440 mm	460 mm	480 mm	500 mm
<b>M</b> Stack	632 mm	632 mm	650 mm	650 mm

### e-MTB ENDURO CRAFTY XR

Size	S	M	L	XL
<b>A</b> Seat Tube Length	380 mm	420 mm	450 mm	480 mm
<b>B</b> Top Tube Length	615 mm	626 mm	660 mm	680 mm
<b>C</b> Bottom Bracket Drop	-18	-18	-18	-18
<b>D</b> Bottom Bracket Height	349 mm	349 mm	349 mm	349 mm
<b>E</b> Chainstay Legth	455 mm	455 mm	455 mm	455 mm
<b>F</b> Seat Tube Angle, Actual	72.5°	72.5°	72.5°	72.5°
<b>G</b> Seat Tube Angle, Effective	75°	75°	75°	75°
<b>H</b> Head Tube Angle	64.5°	64.5°	64.5°	64.5°
<b>I</b> Fork Offset	44 mm	44 mm	44 mm	44 mm
<b>J</b> Wheelbase	1235 mm	1255 mm	1280 mm	1300 mm
<b>K</b> Head Tube Length	110 mm	110 mm	130 mm	130 mm
<b>L</b> Reach	440 mm	460 mm	480 mm	500 mm
<b>M</b> Stack	632 mm	632 mm	650 mm	650 mm

### e-MTB ENDURO CRAFTY CARBON

Size	S	M	L	XL
<b>A</b> Seat Tube Length	380 mm	420 mm	450 mm	480 mm
<b>B</b> Top Tube Length	605 mm	625 mm	650 mm	670 mm
<b>C</b> Bottom Bracket Drop	-25 mm	-25 mm	-25 mm	-25 mm
<b>D</b> Bottom Bracket Height	350 mm	350 mm	350 mm	350 mm
<b>E</b> Chainstay Legth	455 mm	455 mm	455 mm	455 mm
<b>F</b> Seat Tube Angle, Actual	73.5°	73.5°	73.5°	73.5°
<b>G</b> Seat Tube Angle, Effective	76°	76°	76°	76°
<b>H</b> Head Tube Angle	65.5°	65.5°	65.5°	65.5°
<b>I</b> Fork Offset	44 mm	44 mm	44 mm	44 mm
<b>J</b> Wheelbase	1225 mm	1245 mm	1265 mm	1285 mm
<b>K</b> Head Tube Length	110 mm	110 mm	130 mm	130 mm
<b>L</b> Reach	450 mm	470 mm	490 mm	510 mm
<b>M</b> Stack	622 mm	622 mm	640 mm	640 mm

### e-MTB ENDURO CRAFTY

Size	S	M	L	XL
<b>A</b> Seat Tube Length	380 mm	420 mm	450 mm	490 mm
<b>B</b> Top Tube Length	605 mm	625 mm	650 mm	670 mm
<b>C</b> Bottom Bracket Drop	-25 mm	-25 mm	-25 mm	-25 mm
<b>D</b> Bottom Bracket Height	350 mm	350 mm	350 mm	350 mm
<b>E</b> Chainstay Legth	455 mm	455 mm	455 mm	455 mm
<b>F</b> Seat Tube Angle, Actual	73.5°	73.5°	73.5°	73.5°
<b>G</b> Seat Tube Angle, Effective	76°	76°	76°	76°
<b>H</b> Head Tube Angle	65.5°	65.5°	65.5°	65.5°
<b>I</b> Fork Offset	44 mm	44 mm	44 mm	44 mm
<b>J</b> Wheelbase	1225 mm	1245 mm	1265 mm	1285 mm
<b>K</b> Head Tube Length	110 mm	110 mm	130 mm	130 mm
<b>L</b> Reach	450 mm	470 mm	490 mm	510 mm
<b>M</b> Stack	622 mm	622 mm	640 mm	640 mm

### e-MTB ENDURO CHASER

Size	S	M	L	XL
<b>A</b> Seat Tube Length	380 mm	420 mm	450 mm	490 mm
<b>B</b> Top Tube Length	605 mm	625 mm	650 mm	670 mm
<b>C</b> Bottom Bracket Drop	-25 mm	-25 mm	-25 mm	-25 mm
<b>D</b> Bottom Bracket Height	336 mm	336 mm	336 mm	336 mm
<b>E</b> Chainstay Legth	455 mm	455 mm	455 mm	455 mm
<b>F</b> Seat Tube Angle, Actual	73.5°	73.5°	73.5°	73.5°
<b>G</b> Seat Tube Angle, Effective	76°	76°	76°	76°
<b>H</b> Head Tube Angle	65.5°	65.5°	65.5°	65.5°
<b>I</b> Fork Offset	44 mm	44 mm	44 mm	44 mm
<b>J</b> Wheelbase	1225 mm	1245 mm	1265 mm	1285 mm
<b>K</b> Head Tube Length	110 mm	110 mm	130 mm	130 mm
<b>L</b> Reach	450 mm	470 mm	490 mm	510 mm
<b>M</b> Stack	622 mm	622 mm	640 mm	640 mm



## e-MTB TRAIL PRIME R / PRIME 29

Size	XS	S	M	L	XL
<b>A</b> Seat Tube Length	380 mm	390 mm	430 mm	470 mm	510 mm
<b>B</b> Top Tube Length	600 mm	615 mm	645 mm	670 mm	700 mm
<b>C</b> Bottom Bracket Drop	-60 mm	-60 mm	-60 mm	-60 mm	-60 mm
<b>D</b> Bottom Bracket Height	318 mm	318 mm	318 mm	318 mm	318 mm
<b>E</b> Chainstay Legth	455 mm	455 mm	455 mm	455 mm	455 mm
<b>F</b> Seat Tube Angle, Actual	73.5°	73.5°	73.5°	73.5°	73.5°
<b>G</b> Seat Tube Angle, Effective	73.5°	73.5°	73.5°	73.5°	73.5°
<b>H</b> Head Tube Angle	69°	69°	69°	69°	69°
<b>I</b> Fork Offset	51 mm	51 mm	51 mm	51 mm	51 mm
<b>J</b> Wheelbase	1138mm	1153 mm	1183 mm	1210 mm	1240 mm
<b>K</b> Head Tube Length	110 mm	110 mm	110 mm	130 mm	130 mm
<b>L</b> Reach	410 mm	425 mm	455 mm	480 mm	505 mm
<b>M</b> Stack	640 mm	640 mm	640 mm	658 mm	658 mm

## e-MTB TRAIL PRIME RX / PRIMEX

Size	XS	S	M	L	XL
<b>A</b> Seat Tube Length	380 mm	390 mm	430 mm	470 mm	510 mm
<b>B</b> Top Tube Length	600 mm	615 mm	645 mm	670 mm	700 mm
<b>C</b> Bottom Bracket Drop	-70 mm	-70 mm	-70 mm	-70 mm	-70 mm
<b>D</b> Bottom Bracket Height	308 mm	308 mm	308 mm	308 mm	308 mm
<b>E</b> Chainstay Legth	455 mm	455 mm	455 mm	455 mm	455 mm
<b>F</b> Seat Tube Angle, Actual	74.5°	74.5°	74.5°	74.5°	74.5°
<b>G</b> Seat Tube Angle, Effective	74.5°	74.5°	74.5°	74.5°	74.5°
<b>H</b> Head Tube Angle	70°	70°	70°	70°	70°
<b>I</b> Fork Offset	51 mm	51 mm	51 mm	51 mm	51 mm
<b>J</b> Wheelbase	1132 mm	1148 mm	1178 mm	1205 mm	1235 mm
<b>K</b> Head Tube Length	110 mm	110 mm	110 mm	130 mm	130 mm
<b>L</b> Reach	415 mm	430 mm	460 mm	485 mm	510 mm
<b>M</b> Stack	630 mm	630 mm	630 mm	648 mm	648 mm



All information and pictures on this document is provided for information purposes only and does not constitute a legal contract between Mondraker and any person or entity. Specifications, geometries or any other technical information published is subject to change without prior notice.

© All trademarks and models are property of Blue Factory Team, S.L.U. and are protected by current laws and applicable international agreements.



---

**T H A N K   Y O U**