

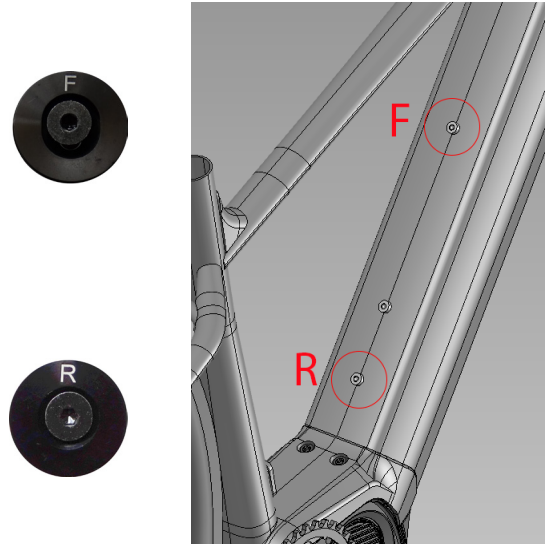
RANGE EXTENDER KIT



Kit components:

- 1 front bracket spacer.
- 1 Rear bracket spacer.
- 1 charging bridge cable.
- 1 bridge cable to main battery.
- 1360Wh battery.

1. BATTERY SPACERS INSTALLATION



Spacer bracket with "R" is fitted in the rear screw hole from the main tube. Spacer with "F" goes in the front.

2. BATTERY INSTALLATION



Slide in the battery, first from below bracket and turns the battery clockwise to clamp the top bracket from the left side of the main tube.

3. BRIDGE CABLE



Connect the bridge cable to the frame plug as the picture shows. If the bike is equipped with a rubber band, that will help to keep the plug and connector together.

NOTE: Make sure the switch is fitted all the way in in both battery and frame.