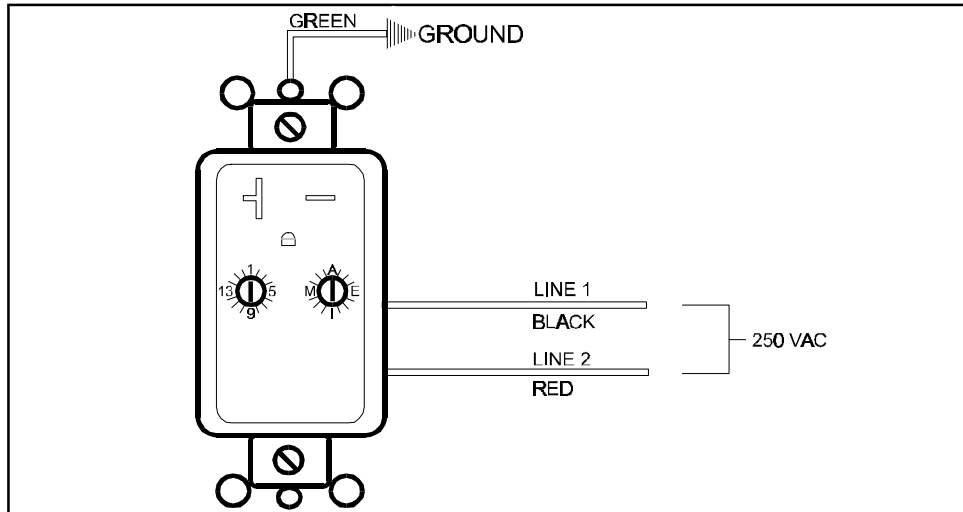


240VAC Single Receptacle

XPR2



The XPR2, 240VAC / 20A Single Receptacle is used as a remote load switching device, which responds to ON/OFF and ALL UNITS OFF commands from an X-10 PRO controller.

Note: The XPR2 DOES NOT have the "Sense" feature and DOES NOT respond when the connected load is turned on. Total Load must not exceed 20A @ 240VAC.

Installing the 20A Duplex Receptacle

- Shut off power at the circuit breaker.
- In a single gang box or approved work box, identify Line 1 (120VAC) and Line 2 (120VAC).
- Connect the Black (L1) lead from the XPR2 to 120VAC.
- Connect the Red (L2) lead from the XPR2 to the other 120VAC.
- Connect the Green (Ground) lead from the XPR2 to ground.
- Check that all connections are tight and no bare conductors are exposed. Restore power.

Setting up the XPR2

Using a small screwdriver set the House Code Wheel (RED) to the setting that matches an X-10 PRO controller (A-P). Then Set the Unit Code Wheel (BLACK) to the desired number address (1-16).