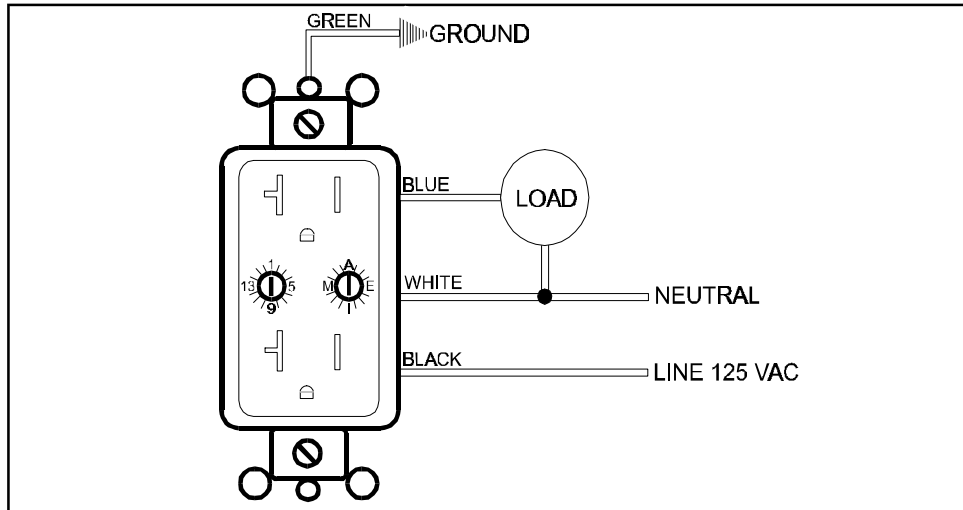


## Duplex Receptacle

**XPR**



The XPR, 20A Duplex Receptacle is used as a remote load switching device, which responds to ON/OFF and ALL UNITS OFF commands from an X-10 PRO controller. Loads may be plugged into one of the receptacles or hard-wired to the module by its supplied leads.

*Note: The XPR can "Sense" if any one load plugged into it and/or wired to the Blue lead is switched on. The receptacle responds by turning ON all loads connected to it. Total load(s) must not exceed 20A.*

### Installing the 20A Duplex Receptacle

- Shut off power at the circuit breaker.
- In a single gang box or approved work box, identify the Line (120VAC) and neutral.
- Connect the Black (Hot) lead from the XPR to 120VAC.
- Connect the White (Neutral) lead from the XPR to Neutral.
- Connect the Green (Ground) lead from the XPR to ground.
- Connect the Blue (Switched) lead to a hard-wired load (if not desired, securely tape and cap the Blue lead).
- Check that all connections are tight and no bare conductors are exposed. Restore power.

### Setting up the XPR

Using a small screwdriver set the House Code Wheel (RED) to the setting that matches an X-10 PRO controller (A-P). Then Set the Unit Code Wheel (BLACK) to the desired number address (1-16).