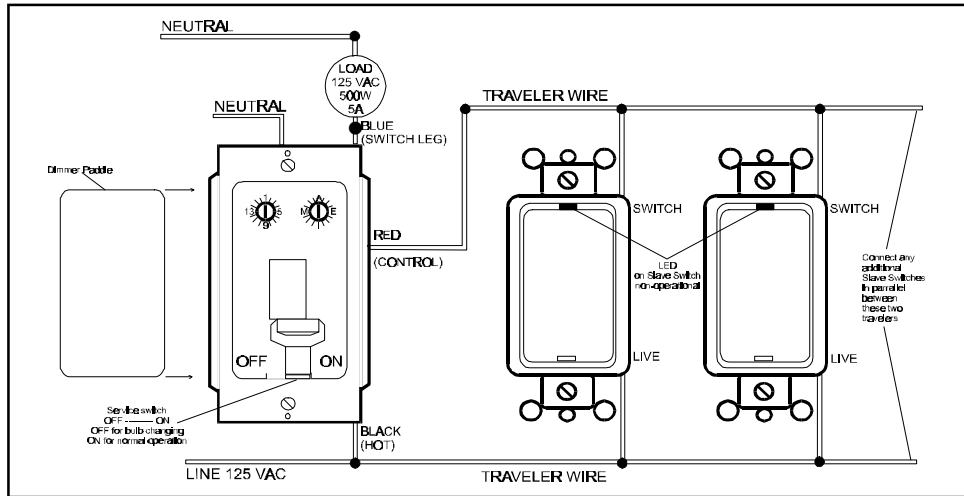


# Incandescent & Inductive Dimmer **XPDI3**



The XPDI3 (3-way master/single pole) Incandescent & Inductive Dimmer Module is designed to control incandescent loads with a rating of between 40W and 500W and up to 5Amp inductive loads. Lamps rated below 40W may flicker or operate erratically. A Companion Switch (XPSS) is available for three and four-way operation. A removable decorative paddle is located on the Wall Dimmer Module for local ON/OFF and BRIGHTEN/DIM control. A power cutoff switch located only on the Wall Dimmer Module, directly below paddle, is provided for bulb changing.

*Note: To use as a single pole module simply cap off the RED wire. Incandescent & Inductive Dimmer Modules can be used to control Incandescent loads up to 500W, low voltage lighting power supplies, and ceiling fan motors. The XPDI3 does require the use of a Neutral Wire at the wall box.*

#### Installing the Wall Dimmer Module (used as a three way)

- Disconnect power at the circuit breaker.
- Remove switch plates and unscrew existing switches from their boxes. Identify the Line, load and traveller wires at each existing switch (usually connected to a different color terminal).
- Replace one of the existing wall switches with the Incandescent & Inductive Dimmer Module XPDI3.
- The Load connects to the Blue wire on the module.
- The Red wire from the XPDI3 is connected to a traveller wire going to the Switch position on the XPSS Slave.
- 120VAC can be supplied by either the Master or the Slave position and sent over on a traveller wire to the Black wire on the XPDI3 and the Live position on the XPSS. In a single pole application line and Load should be in the same box.
- Connect the White wire from the module to Neutral.

#### Setting up the Wall Dimmer Module

- Set the House Code dial (under the removable decorative paddle) to the same letter set on the controller or Security Console. The House Code for monitored security consoles is downloaded by the security installation firm. The default House Code is 'A', when using the PRO2000.
- For normal lighting control, set the Unit Code dial to an unused code which can be controlled from the controller or an RF remote such as the Security Remote, PSR01 (switches 1-4 control Unit Codes 1-4).
- To use as the security light, set the Unit Code to the match the Unit Code of the security console. The Unit Code for monitored security consoles is downloaded by the security installation firm. The default Unit Code is '13', when using the PRO2000.

*Note: The security light is the light which is flashed on/off during an alarm and is controlled by the security LIGHT ON and LIGHT OFF buttons on the PRO2000 console, keychain and security remotes)*

#### 4-Way Applications

- When creating a four-way application, simply parallel another XPSS across the same two travellers from the first Slave location. Connect wires from Switch to Switch and Live to Live, using the feed thru screw terminals.