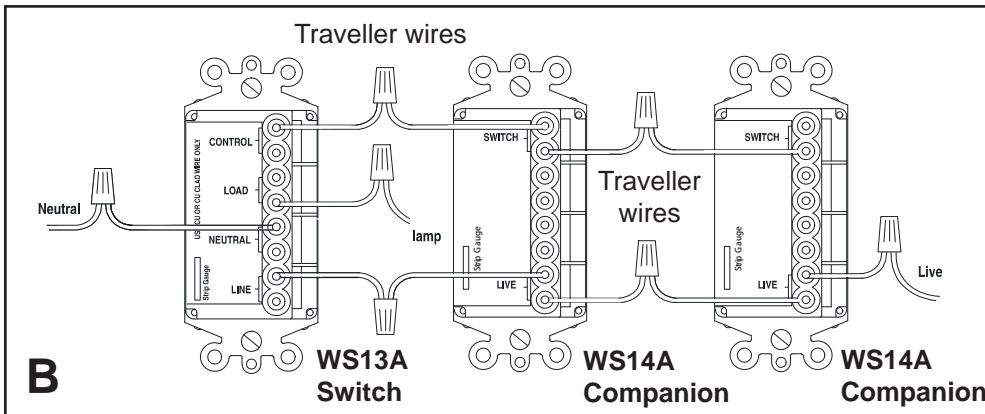


Additional WS14A for 4-way **dimmer** applications. See instructions included with **WS12A** for more information.



Additional WS14A for 4-way **Switch** applications. See instructions included with **WS13A** for more information.

The WS14A Decorator Companion Switch **MUST** be used with either the WS12A Decorator **Dimmer** (diagram A), or WS13A Decorator **Switch** (diagram B). The WS14A is normally used for what is referred to as "3-way" applications (where you have two switches controlling the same light, at the top and bottom of a staircase, for example). Refer to the instructions supplied with the WS12A and WS13A for more details. The WS14A can also be used for 4-way applications (where 3 switches control the same light). For 4-way applications, connect the WS12A or WS13A and one WS14A as per the instructions supplied with the WS12A or WS13A. Then connect an additional WS14A as shown in the diagrams above.

**WARNING: Wall Dimmer Modules must not be used to control appliances or fluorescent lamps.**

**IMPORTANT:** The WS13A switch requires a Neutral connection. This is NOT the same as ground. If you are unsure whether or not you have a Neutral wire at the switch location, consult a qualified electrician.

**Installing an additional Companion Switch (4-way applications)**

- Disconnect the power at the circuit breaker.
- Remove all wall plates and unscrew the existing switches from their boxes. Identify which switches are three way switches (3 screw terminals) and which switch is a 4-way switch (4 screw terminals). Identify the common wire at each existing 3-way switch (usually connected to a different color terminal).
- Replace one of the existing 3-way wall switches with the WS12A Wall Dimmer, or WS13A Wall Switch as per the instructions that came with the WS12A or WS13A.
- Replace the other existing 3-way wall switch with a WS14A Companion Switch (sold separately) as per the instructions that came with the WS12A or WS13A.
- Replace the existing 4-way switch with a second WS14A Companion Switch by connecting both wires on the top of the old 4-way switch to the SWITCH terminal on the WS14A and both wires on the bottom of the WS14A to the LIVE terminal on the WS14A.

Screw all three switches into their wall boxes and replace the wall plates.

**90 DAY LIMITED WARRANTY** X10.com, a division of X10 Wireless Technology, Inc. (X10) warrants X10 products to be free from defective material and workmanship for a period of 90 days from the original date of purchase at retail. X10 agrees to repair or replace, at it's sole discretion, a defective X10 product if returned to X10 within the warranty period and with proof of purchase. If service is required under this warranty, please visit [www.x10.com/support/return\\_policy.htm](http://www.x10.com/support/return_policy.htm), or e-mail [sales@x10.com](mailto:sales@x10.com) to obtain a Return Merchandise Authorization (RMA) number.