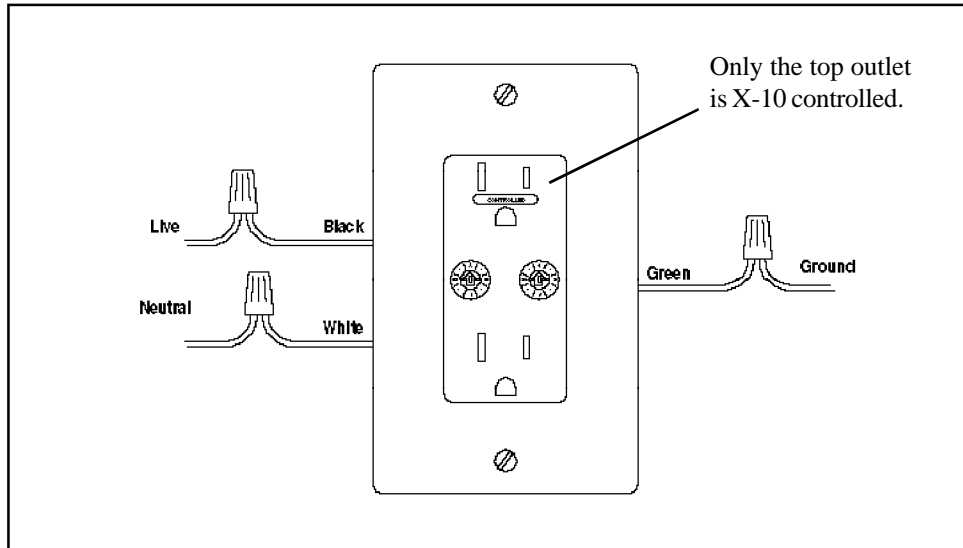


## Wall Receptacle Module

PAO11



The Wall Receptacle Module is designed to control unrestricted loads up to 15Amp. It provides two outlets, one X-10 controlled (upper) and one which is always on (lower). A trim plate is included to complete the installation.

### Installing the Wall Receptacle Module

- Disconnect power at the circuit breaker.
- Remove the existing wall plate and unscrew the receptacle from its box.
- Disconnect the wiring to the existing receptacle.
- Connect the black wire of the Wall Receptacle Module to Live, the white wire to Neutral and the green wire to ground (or the wall box) using the wire nuts provided. Refer to the diagram above.
- Refit the Wall Receptacle Module in the wall box and finish off with the trim plate provided.

### Setting up the Wall Receptacle Module

- Set the House Code dial to the same letter set on the controller or Security Console. The House Code for monitored security consoles is downloaded by the security installation firm. The default House Code is 'A', when used with the X-10 PRO2000.
- Set the Unit Code dial to an unused code which can be controlled from the controller or an RF remote such as the Security Remote, PSR01, (switches 1-4 control Unit Codes 1-4 When used with the X-10 PRO2000).