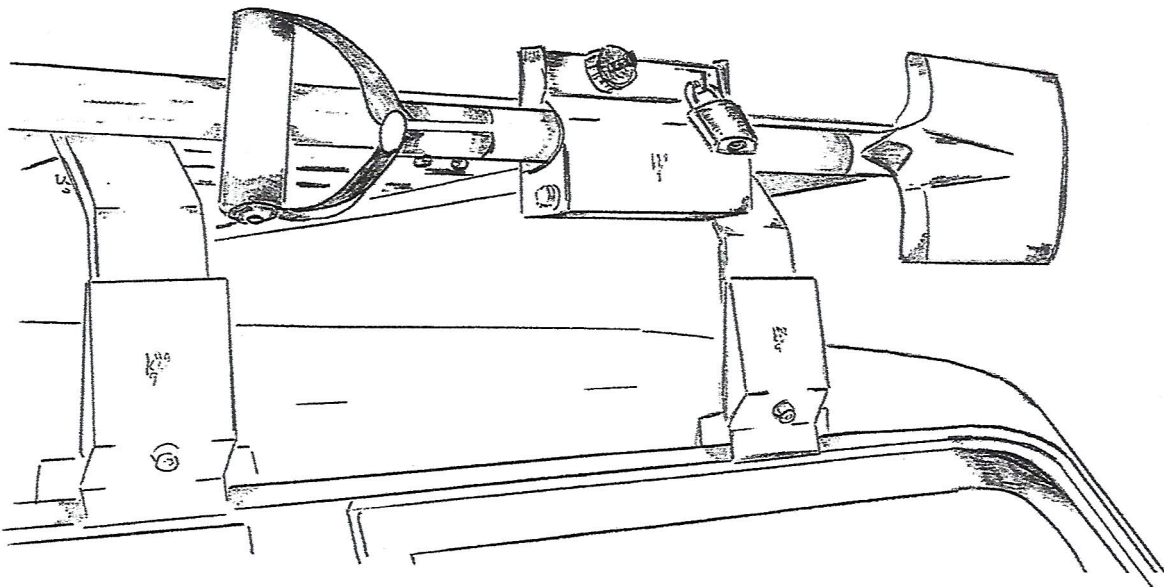




P.O. Box 68323, Bryanston 2021  
200 Cussonia Park, 3 Ridge Road,  
Laser Park, Honeydew, South Africa.  
Tel: (011) 794-6311 • Fax: (011) 794-6233



## SPADE/SHOVEL BRACKET MOUNTING INSTRUCTIONS



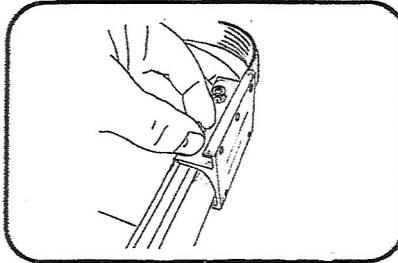
### **INSTALLATION WARNING:**

1. It is important that all K9 Racks and accessories are correctly attached (fastened) and secured to your vehicle.
2. Negligent installation of the K9 Rack and accessories could lead to an unfortunate vehicle accident. Furthermore injury and cause bodily harm or even lead to the demise of other folk.
3. Remember you are personally responsible in securing and checking the installation of your K9 Rack on your vehicle.
4. Once fitted the K9 Rack installation should be checked on a regular basis and if need be adjusted or secured.
5. Before you commence installation of your K9 Rack it is imperative that you read the instructions thoroughly to understand and be prepared for the assembly.
6. Should you not fully understand the assembly and installation instructions of the K9 Rack and you are apprehensive that you do not have the technical or mechanical know-how it would be in your interest to have the K9 Rack installed by a qualified professional at a garage or fitment centre.
7. Lastly it is extremely important that your equipment including the weight of the K9 Rack does not exceed your vehicles maximum roof load specifications.
8. In order to obtain your vehicle specifications one would need to contact your vehicle manufacturer or distributor or look in your service book provided with your vehicle.

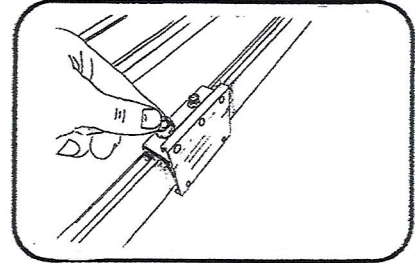


**GETTING STARTED:**

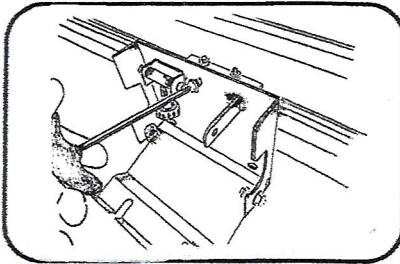
- 10mm Spanner Wrench
- 13mm Spanner Wrench
- 4mm Allan key
- Padlock (not supplied)



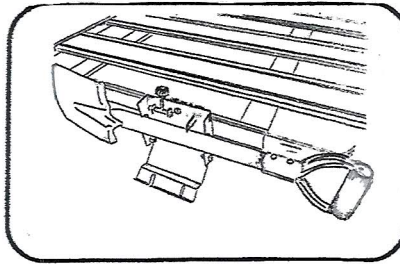
Place K9 mounting kit onto side rail and turn bolts to align with slot.



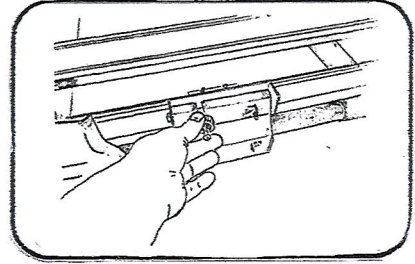
After sliding to position required tighten with 10mm spanner wrench.



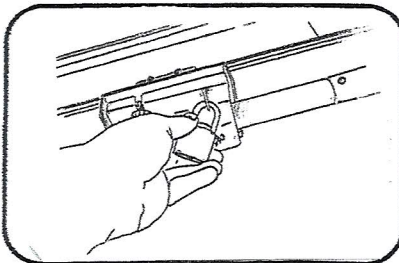
Fasten spade/shovel bracket to K9 mounting kit with bolts provided.



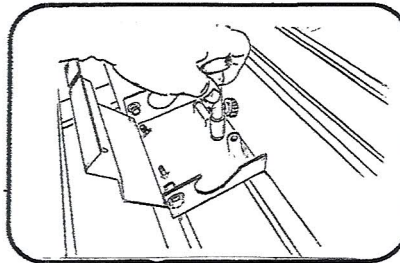
Place spade/shovel into bracket. Close cover and tighten with thumb lock.



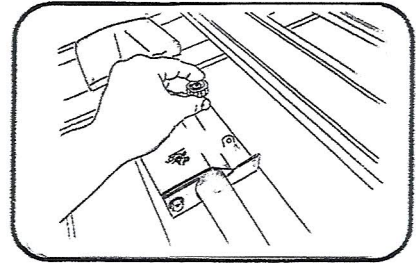
Place spade/shovel into bracket. Close cover and tighten with thumb lock.



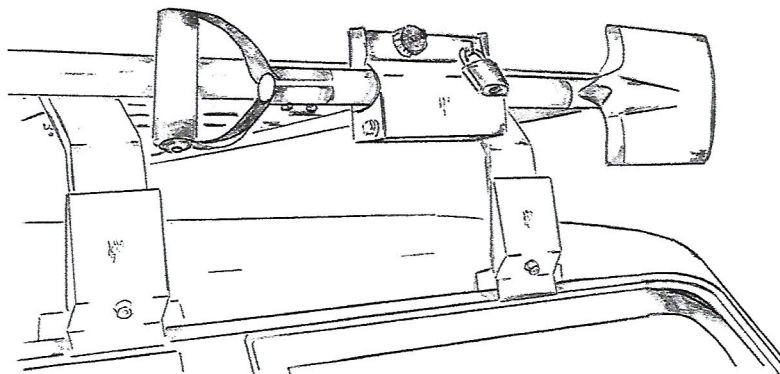
Should you require the spade/shovel bracket to be locked insert padlock (not supplied) through tab provided.



In order to mount spade/shovel bracket onto slats slide 8mm bolts into grooves and position then tighten with 13mm spanner wrench.



Place spade/shovel into bracket. Close cover and tighten with thumb lock.



**JOB WELL DONE!**