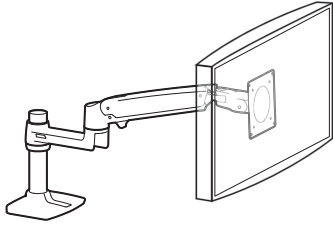
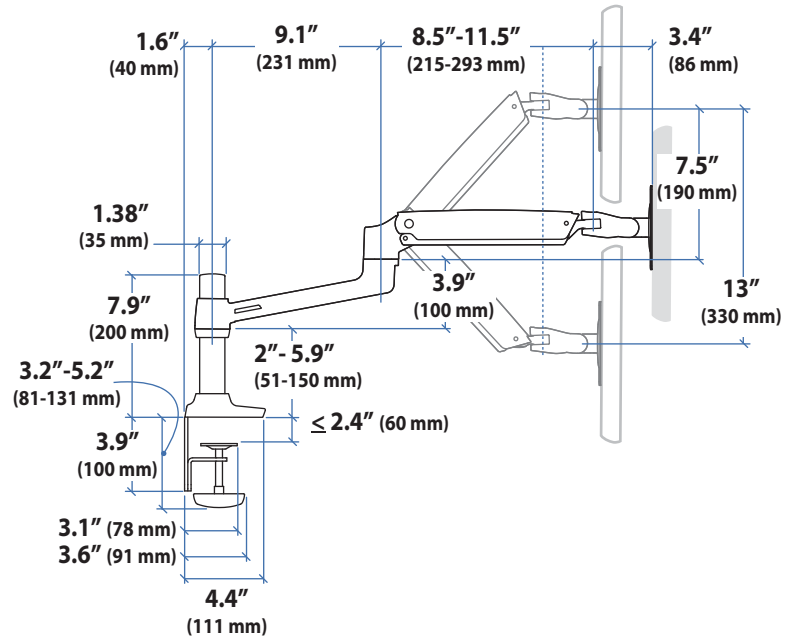


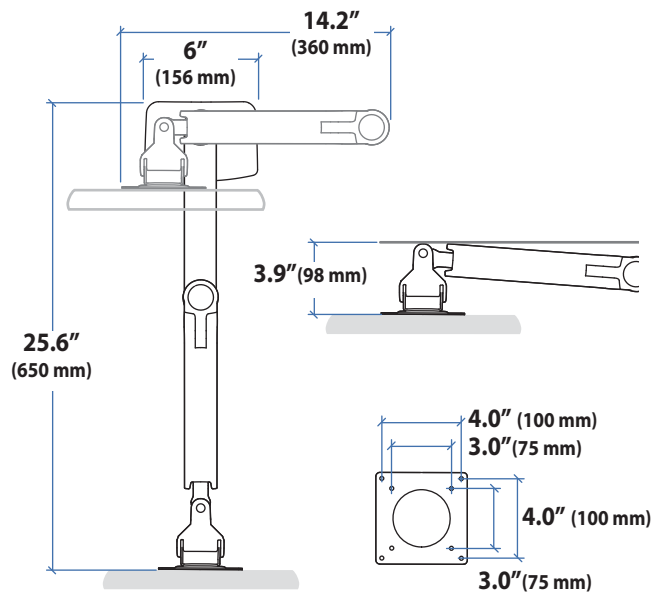
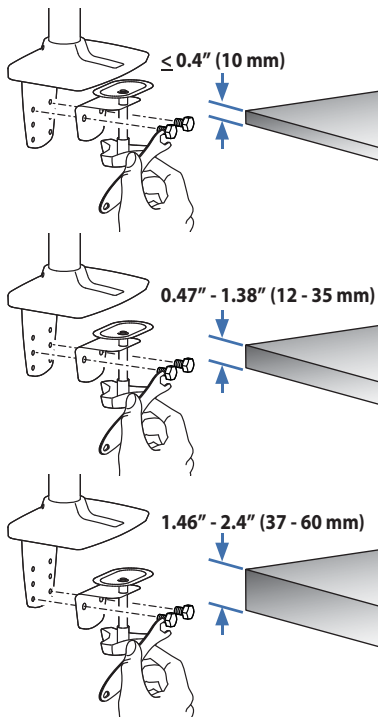
LX Desk Mount LCD Arm



Dimensions



Desk Clamp



© 2016 Ergotron, Inc. rev. 12/17/2018 DIM-LXWt Content is subject to change without notification

Americas Sales and Corporate Headquarters

St. Paul, MN USA
 (800) 888-8458
 +1-651-681-7600
 www.ergotron.com
 sales@ergotron.com

EMEA Sales

Amersfoort, The Netherlands
 +31 33 45 45 600
 www.ergotron.com
 info.eu@ergotron.com

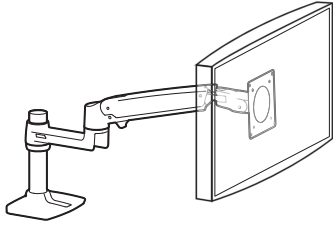
APAC Sales

Tokyo, Japan
 www.ergotron.com
 japansupport@ergotron.com

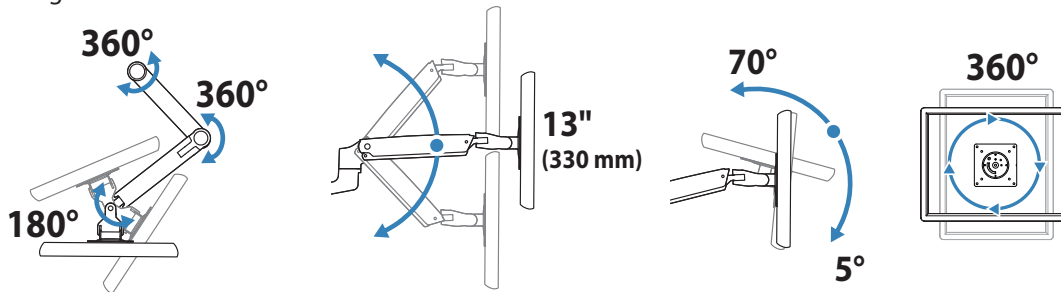
Worldwide OEM Sales

www.ergotron.com
 info.oem@ergotron.com

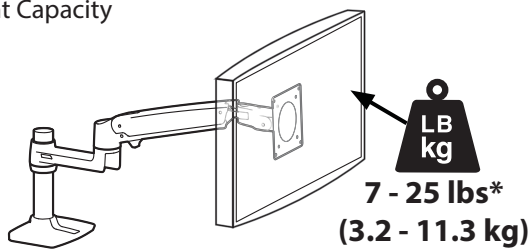
LX Desk Mount LCD Arm



Range of Motion



Weight Capacity



Monitor depth greater than 2.5" (64 mm) may diminish capacity. Call Ergotron for more information.

*** The lower most range of motion for vertical lift is decreased up to 4.5" (114 mm) when arm is adjusted to hold over 20lbs (9 kgs).**

