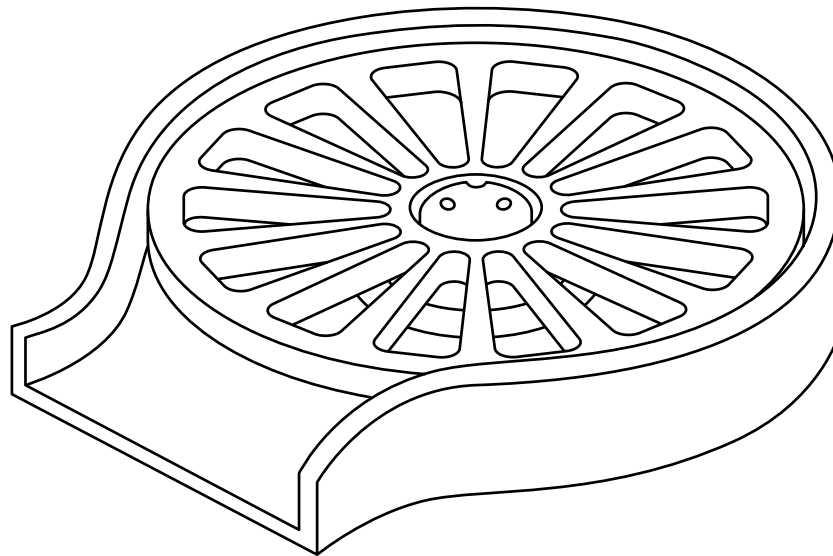


RINSE R

INSTALLATION MANUAL



⚠ WARNINGS ⚠

Professional installation recommended.

Intended for rinsing vessels and not sanitization.

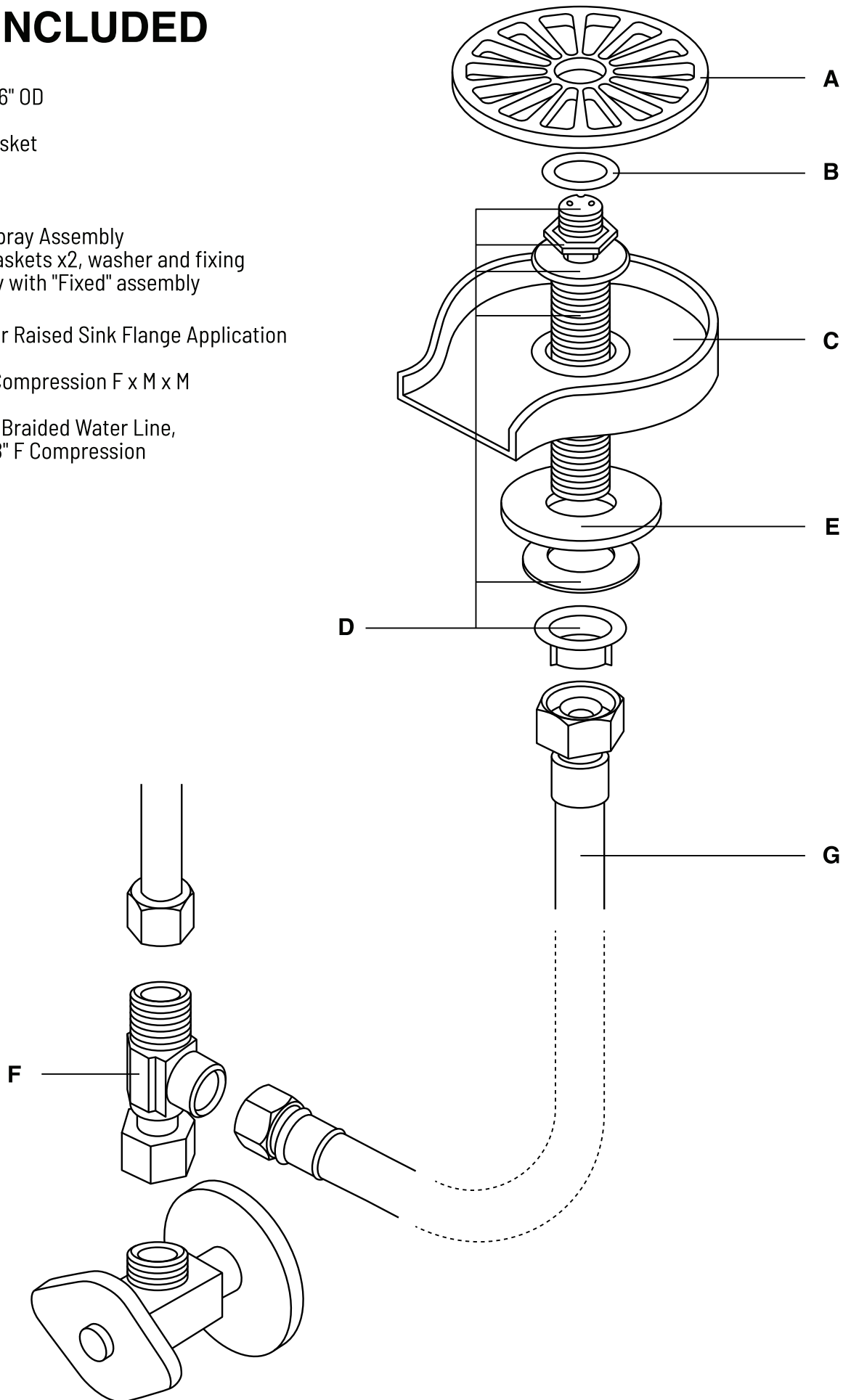
Espresso Parts LLC assumes no responsibility for injury, property damage, or product failure due to improper installation or use. Hot water installation is done so at the end user's own risk.

California Prop 65 Warning. This product may expose chemicals known in the State of California to cause cancer, birth defects, or other reproductive harm.
For more information www.P65Warnings.ca.gov

**HOT OR
COLD
WATER
USE**

PARTS INCLUDED

- A** Rinser Plate, 3.6" OD
- B** Rinser Plate Gasket
- C** Pan, 4"
- D** Home Rinser Spray Assembly
(spray-head, gaskets x2, washer and fixing nut), 39.5" Body with "Fixed" assembly
- E** Spacer/Riser for Raised Sink Flange Application
- F** T Fitting, 3/8" Compression F x M x M
- G** Stainless Steel Braided Water Line,
1/2" F BSP x 3/8" F Compression



ASSEMBLY

- 1 Locate and turn off angle stop valve supplying water to the sink faucet (hot or cold).
- 2 Install pan and spray assembly through existing hole in sink flange. Install flush for flat sink flange or use supplied spacer/riser for raised sink flange application.
- 3 Disconnect existing water line from angle stop valve.
- 4 Install T fitting.
- 5 Reattach water line for faucet.
- 6 Attach the water line supplied with the unit.
- 7 Turn on the water supply and check for leaks at all water connections.
- 8 Rinse!

