



coffeeing the World

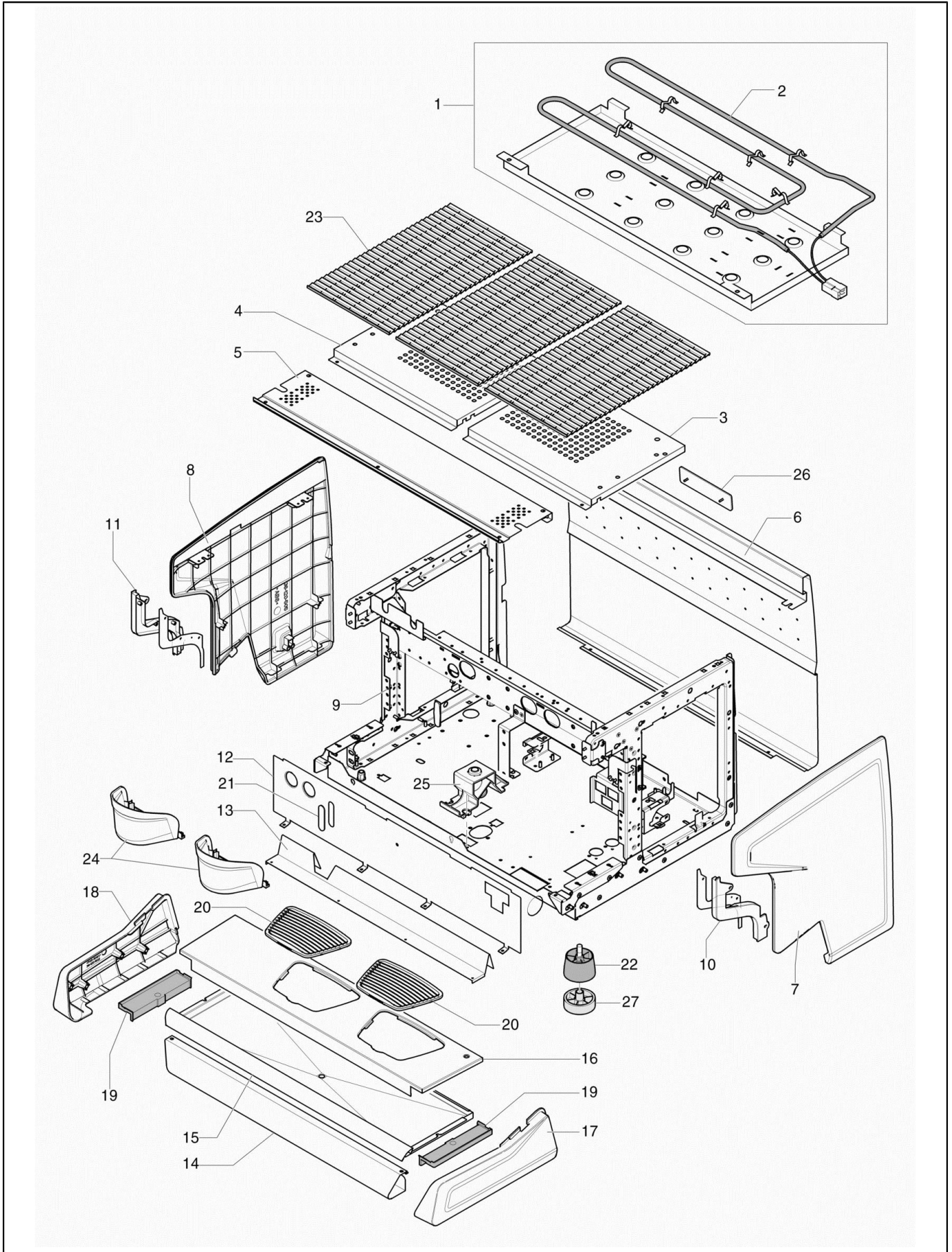
CLASSE 9 USB



CLASSE 9

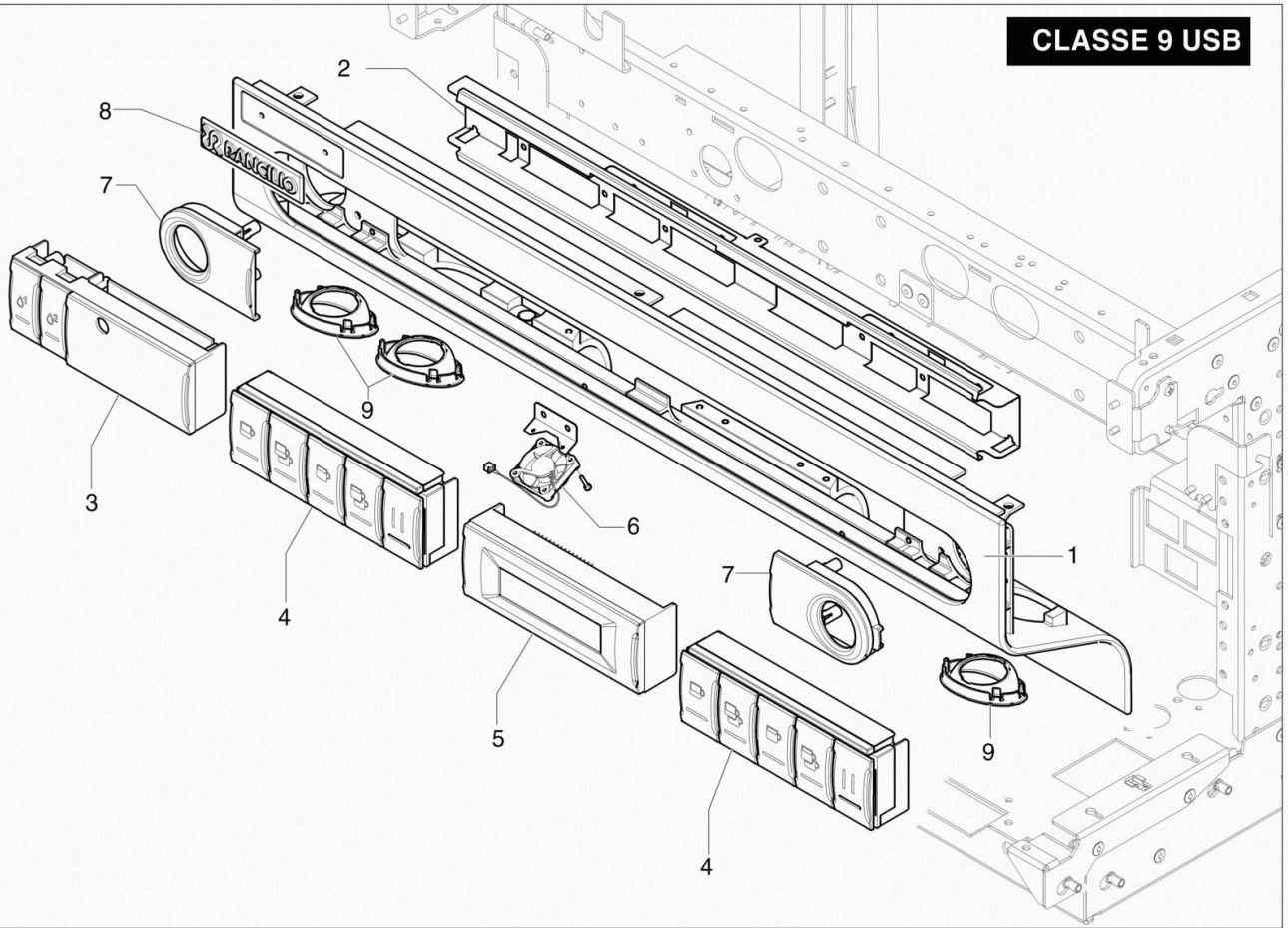
Index

Table 1000 - Body.....	4
Table 1001 - CONTROL PANEL USB.....	6
Table 1003 - HOUSING TALL.....	8
Table 2000 - HYDRAULIC CIRCUIT USB.....	10
Table 2003 - HEATING ELEMENT/CHECK EXP. VALVE.....	12
Table 2004 - BREWING GROUP 24V.....	14
Table 2007 - Water spout	16
Table 2008 - CLEVER STEAM TAP.....	18
Table 2010 - LEVEL INDICATOR.....	20
Table 3000 - ELECTRIC/ELECTRONIC PARTS USB.....	22
Table 3003 - Motor and pump unit.....	24
Table 4000 - ISTEAM CLASSE 9.....	26
Alphanumeric index.....	28

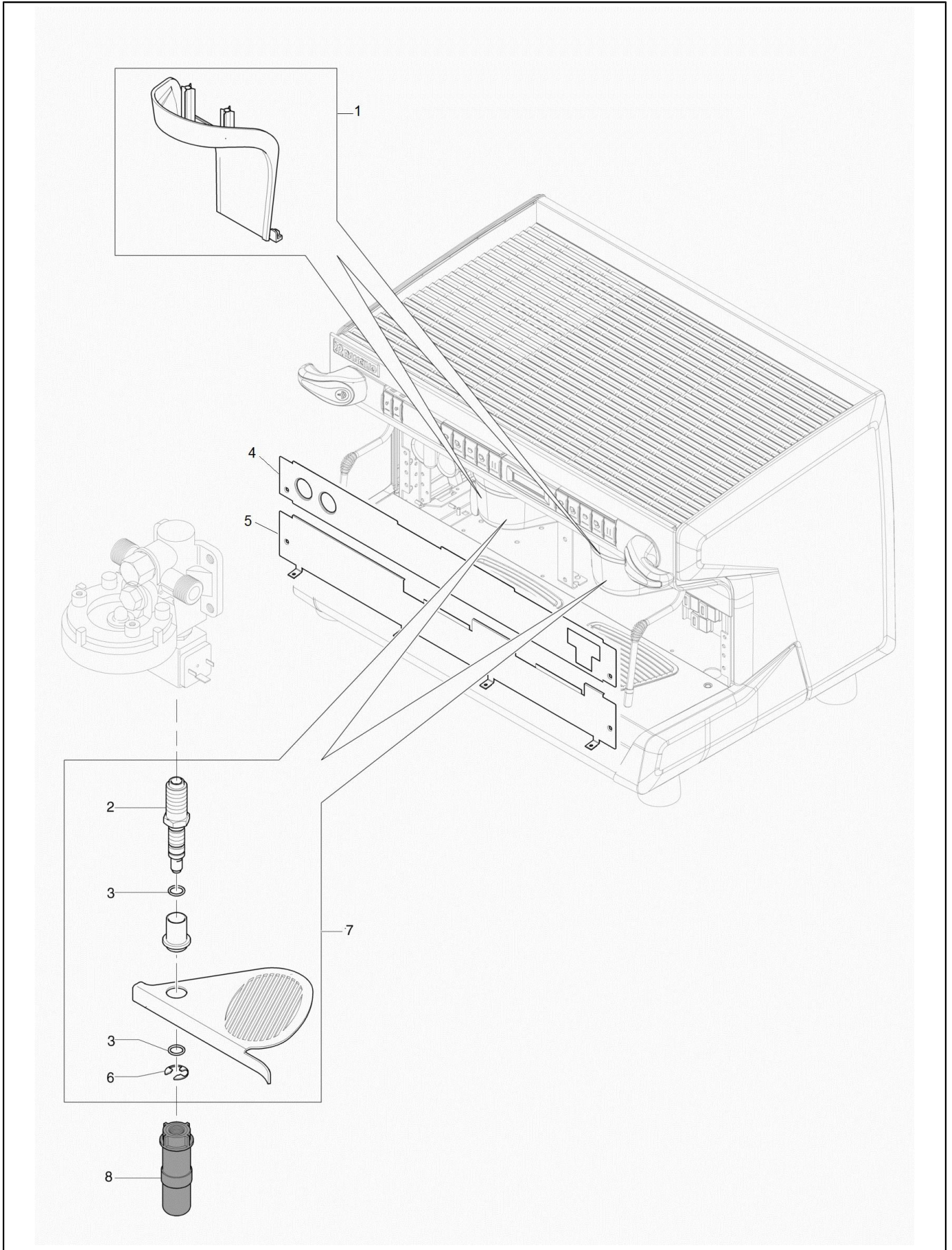


POS.	CODE	DESCRIPTION	QTY	START DATE	END DATE	NOTES
1	10700276	KIT CUPWARMER 2GR + SCREWS SET	1			
	10700277	KIT CUPWARMER 3GR + SCREWS SET	1			
	10700278	KIT CUPWARMER 4GR + SCREWS SET	1			
2	33122002	Cup-WARMER Resistanceance 230V 2GR	1			
	33122003	Cup-WARMER Resistanceance 230V 3GR	1			
	33122004	Cup-WARMER Resistanceance 230V 4GR	1			
3	32330971	Heating Cup grate DX	1			
4	32330972	Heating Cup grate SX	1			
5	32331726	UPPER GROUP BAND 2GR	1			
	32331727	UPPER GROUP BAND 3GR	1			
	32331728	UPPER GROUP BAND 4GR	1			
6	32331730	FRONTAL 2GR C9	1			
	32331731	FRONTAL 3GR C9	1			
	32331732	FRONTAL 4GR C9	1			
7	10905015	RIGHT SIDE PANEL C9	1			
8	10905016	LEFT SIDE PANEL C9	1			
10	10705681	LED BAR RIGHT	1			
11	10705682	LED BAR LEFT	1			
12	32331714	TemPlate 2GR	1			
	32331715	TEMPLATE 3GR	1			
	32331716	TemPlate 4GR.	1			
13	32331710	PROTECTION DRAIN TRAY C9	1			
	32331711	PROTECTION DESCHARGE C9 3GR	1			
	32331712	PROTECTION DESCHARGE C9 4GR	1			
14	32331702	LOWER DRAIN TRAY BAND 2GR	1			
	32331703	LOWER DRAIN TRAY BAND 3GR	1			
	32331704	LOWER DRAIN TRAY BAND 4GR	1			
15	32331706	DRAIN TRAY 2GR	1			
	32331707	DRAIN TRAY 3GR	1			
	32331708	DRAIN TRAY 4GR	1			
16	32331736	CUP TRAY 2GR C9	1			
	32331737	CUP TRAY 3GR C9	1			
	32331738	CUP TRAY 4GR C9	1			
17	38120501	RIGHT BASIN SIDE	1			
18	38120502	LEFT BASIN SIDE	1			
19	38120503	LATERAL GRATE SUPPORT C9	1			
20	38123666	CUP TRAY MC/07	1			
21	38123856	Level Watch Glass	1			
22	38123568	Coffee machine leg	1			
23	38123921	HEATING CUPS GRATE	1			
24	38120521	GROUPHEAD COVER C9/2012	1			
25	38120511	DRAIN TRAIN CANALIZER	1			
26	42200123	Rancilio Plate MM.145	1			
27	38123852	Riser for coffee machine leg	1			
28	32330973	Heating Cup grate	1			
29	37154212	SCREW 4,2X13	1			
30	37030509	VITE M5X10 TCB PH INOX U7687	1			

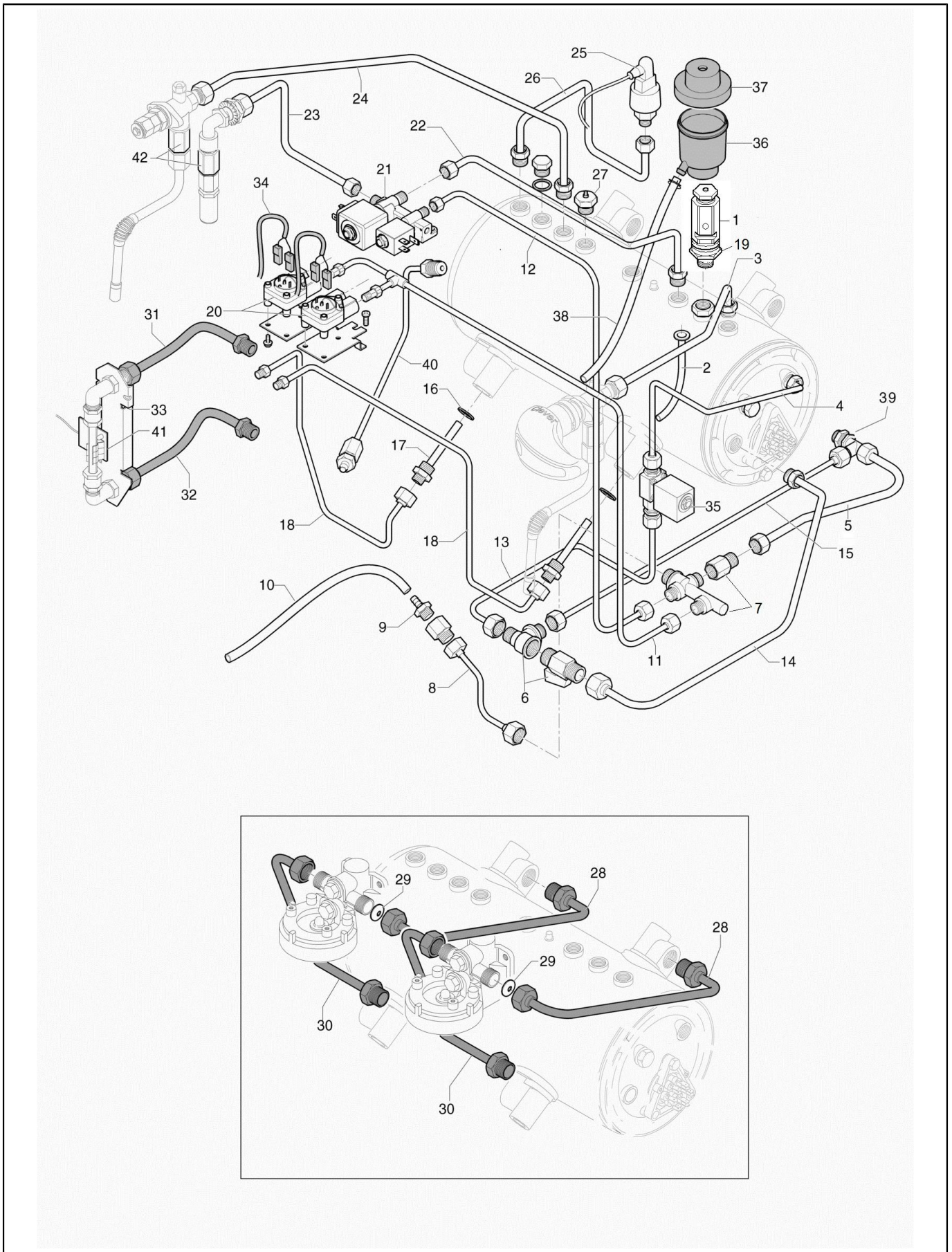
CLASSE 9 USB



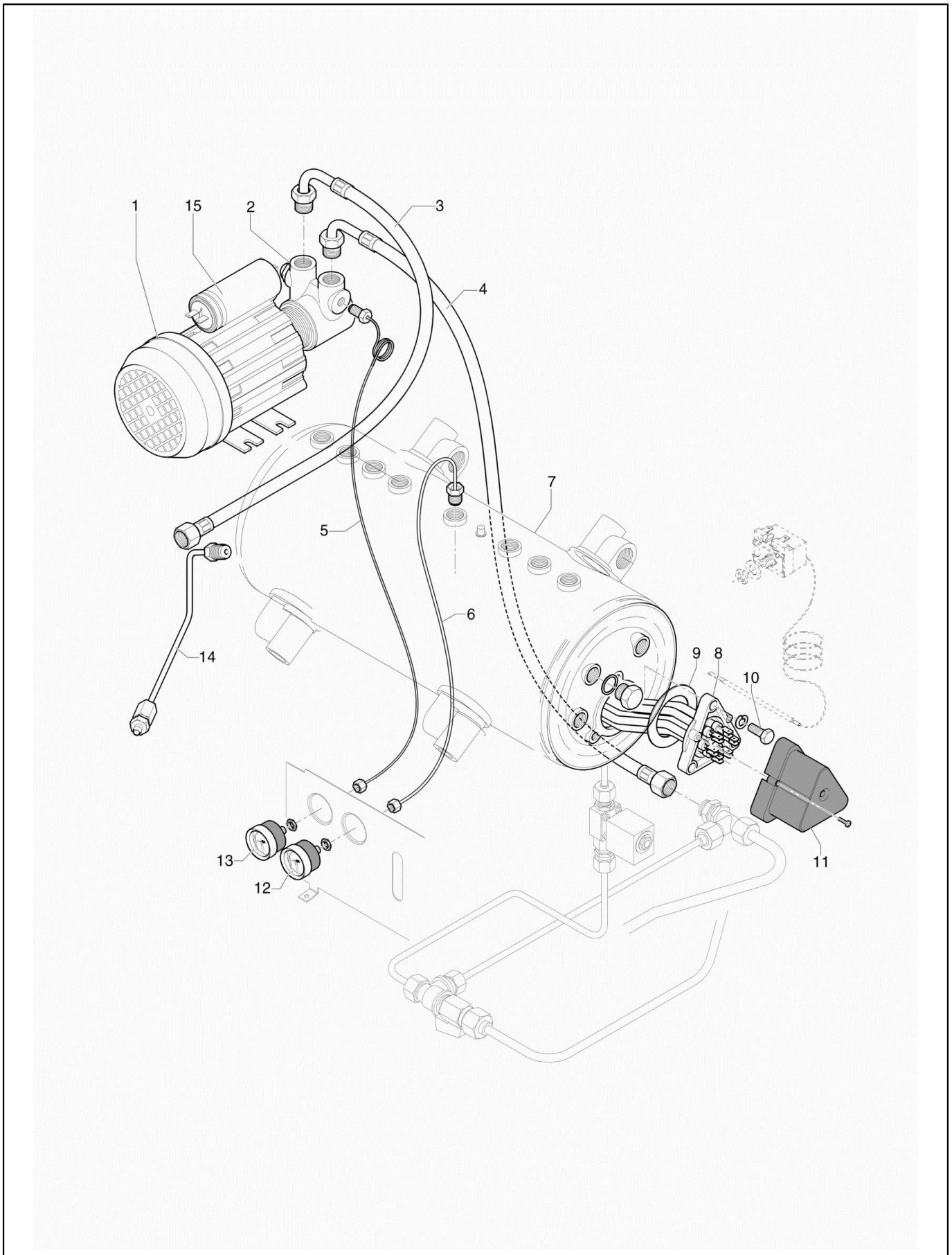
POS.	CODE	DESCRIPTION	QTY	START DATE	END DATE	NOTES
2	32331747	KEYPAD SUPPORT C9USB 2GR	1			
	32331748	KEYPAD SUPPORT C9USB 3GR	1			
	32331749	KEYPAD SUPPORT C9USB 4GR	1			
3	10705673	WATER SWITCH C9USB/PLASTIC SUPPORT	1			
4	10705674	COFFEE C9/USB KEYPAD/LED	1			
5	10705675	DISPLAY C9/USB	1			
6	10110470	DISPLAY FAN	1			
7	38120515	HANDLE HOLE CAP	1			
8	45010216	RANCILIO C9 PLATE	1			
9	38120508	LANCE WATER-STEAM CLOSING	1			
10	37154212	SCREW 4,2X13	1			



POS.	CODE	DESCRIPTION	QTY	START DATE	END DATE	NOTES
1	38120507	GROUP COVER C9 TALL	1			
2	23000042	DRAIN ELECTROV TALL	1			
3	36404026	Gasket OR 2043	1			
4	32331718	UPPER TEMPLATE 2GR. TALL C9	1			
	32331719	UPPER TEMPLATE 3GR. TALL C9	1			
	32331720	UPPER TEMPLATE 4GR. TALL C9	1			
5	32331722	LOWER TEMPLATE 2GR. TALL C9	1			
	32331723	LOWER TEMPLATE 3GR. TALL C9	1			
	32331724	LOWER TEMPLATE 4GR. TALL C9	1			
6	37521000	ELASTIC RING DIAM.10	1			
7	10781163	EXTRACTIBLE RISE	1			
8	10090002	THERM.GROUP JETBREAKER	1			
9	37154212	SCREW 4,2X13	1			
10	37030408	Screw M 4 X 8	1			

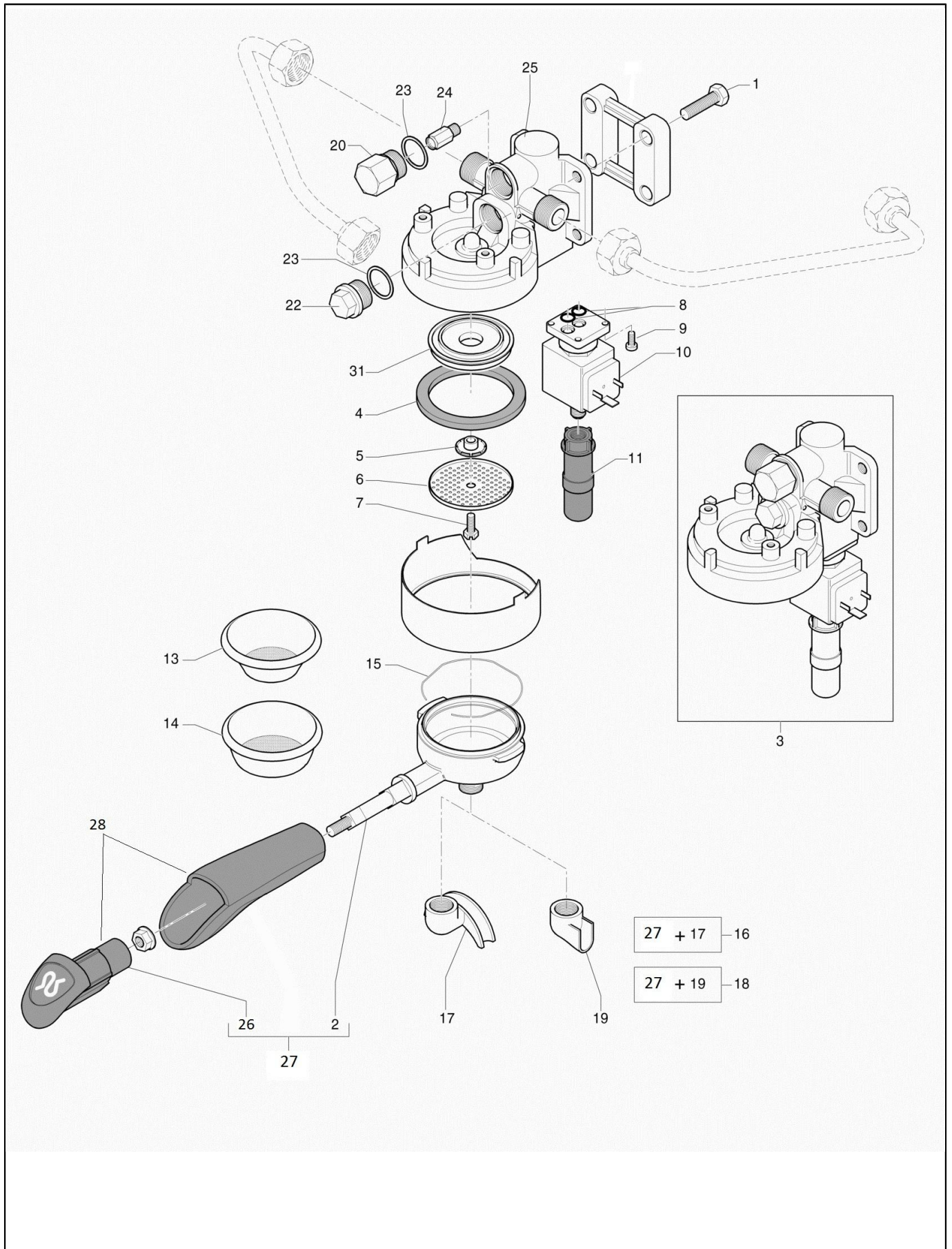


POS.	CODE	DESCRIPTION	QTY	START DATE	END DATE	NOTES
1	10060525	SAFETY VALVE 1,9 BAR 3/8"	1			
2	27120130	HOT WATER SUCTION PIPE	1			
3	10043044	Pipe 8 x 6 x mmL = 320 mm	1			
4	10042022	TUBE 6X4X230	1			
5	10043102	Pipe 8 x 6 x mmL = 130 mm	1			
6	10706083	MANUAL WATER CHARGE ASSY	1			
7	10706068	CHECK VALVE	1			
8	10042127	PIPE 6X4X180	1			
9	10060479	Expansion Valve	1			
10	38228002	Silicone hose D. 9 x 6mmL = 560 mm	1			
11	10046014	MAINFOLD FAN PIPE 2GR	1			
	10046015	MAINFOLD FAN PIPE 3GR	1			
	10046016	MANIFOLD FAN PIPE 4 GR	1			
12	10042052	PIPE 6X4X690 F1/4	1			
	10042053	PIPE 6X4X870	1			3/4 GR
13	10042117	Pipe 6 x 4 x mmL = 220 mm	1			
14	10043046	Pipe 8 x 6 x mmL = 270 mm	1			
15	10043067	PIPE 8X6X210 F3/8-F3/8 2-3-4GR.	1			
16	27350001	GASKET 3/8"	1			
17	10042172	Injector Pipe	1			
	10042173	INJECTION PIPE L.17.50	1			
18	10042217	PIPE6X4X640	1			
	10042218	PIPE 6X4X410	1			
19	23000163	EXTENSION SECURITY VALVE 3/8"-3/8"	1			
20	34070050	FAN COUNTER	1			
21	10705933	Hot water valve	1			
	34049011	Operator kit 2/2 Ways hot water (T30)	1			
	34049012	Operator kit 2/2 Ways cold water (T22)	1			
22	10043033	PIPE 8X6X350	1			
23	10043036	PIPE 8X6X185	1			
24	10043028	Pipe 8 x 6 x mmL = 420 mm F3/8-M3/8	1			
25	34200288	Pressure sensor	1			
26	10043039	Pipe 8 x 6 x mmL = 350 mm	1			
27	10060050	Valve	1			
28	10044027	CIRC.PIPE D.10X8 F1/2-M1/2 284mm	1			
29	23125009	GROUP REDUCTION D3.5	1			
	23125017	GROUP REDUCTION D 4,5	1			
	23125021	RECSTRICION GROUP DIAM. 2 MM	1			
30	10044026	CIRC. Pipe 10X8 F1/2-M1/2 235mm	1			
31	10044035	DELIVERY Level Pipe 10X8	1			
32	10044036	RETURN Level Pipe 10X8	1			
33	10060381	LEVEL INDICATOR C9	1			
34	10110402	Flowmeter Wiring 1/2GR.	1			
	10110445	Wiring FAN 2-3-4 GR.	1			
35	10060466	CHARGE+CheckELECTROV.24V	1			
36	38123947	DRAIN TANK SECURITY VALVE	1			
37	38123946	SECURITY VALVE TOP	1			
38	38228003	Silicone hose D. 9 x 6mmL = 480 mm	1			
39	20123001	T JUNCTION	1			
40	10043007	BOILER DISCHARGE PIPE COMPL.	1			
41	34070211	Level Board	1			
42	23000158	EXTENSION TAP C9	1			

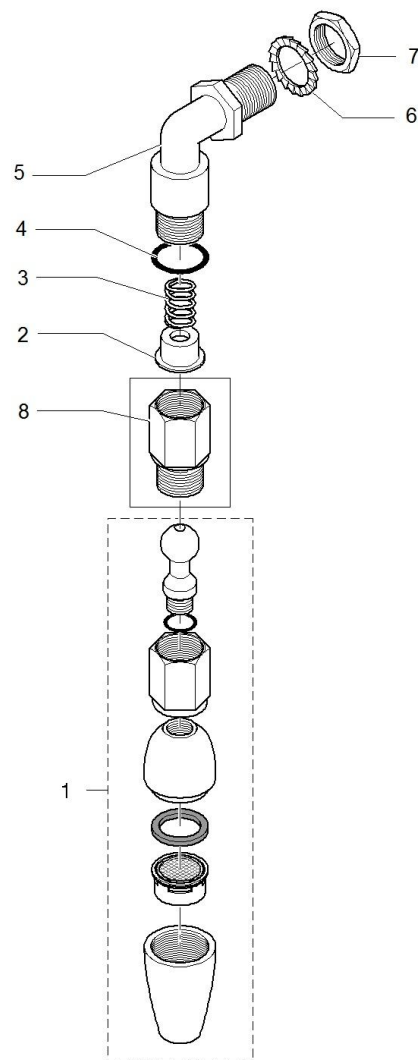


HEATING ELEMENT/CHECK EXP. VALVE

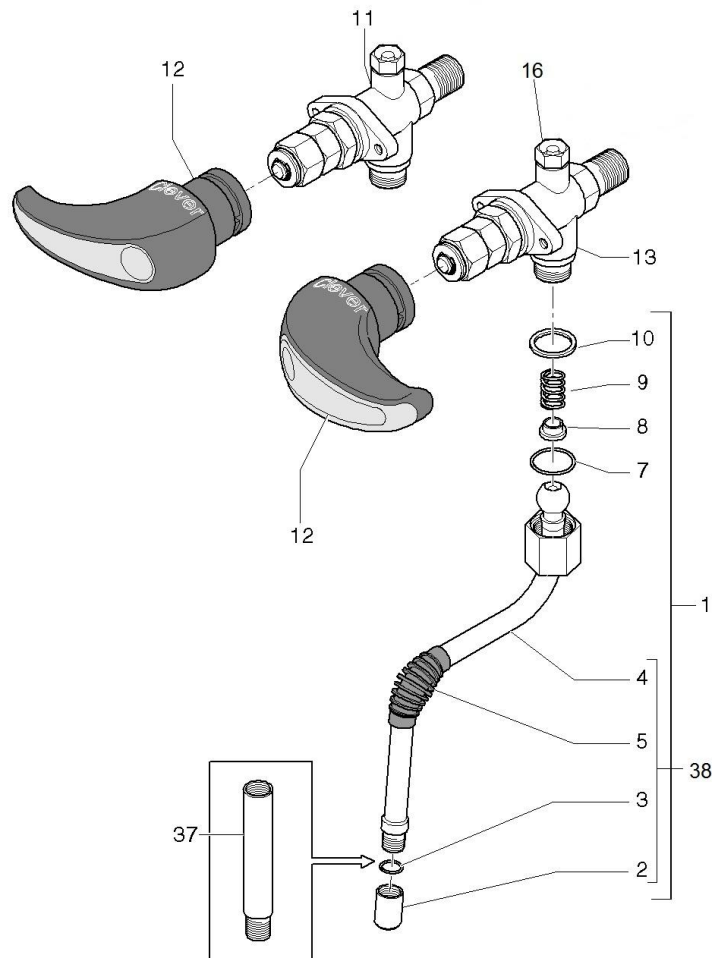
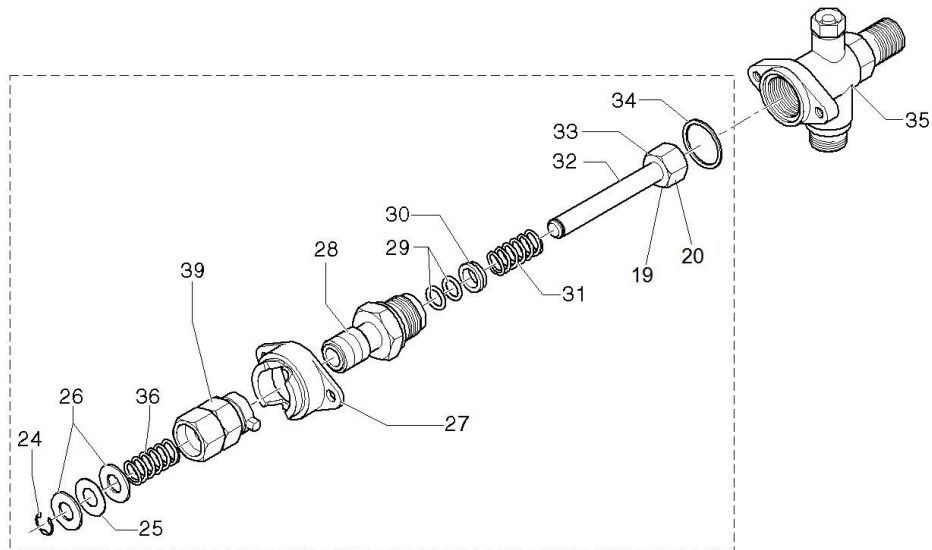
POS.	CODE	DESCRIPTION	QTY	START DATE	END DATE	NOTES
1	34011009	Motor 110 V CE / UL	1			
	34011102	VM MOTOR 230V	1			
2	10705960	KIT PUMPING ELEMENT	1			
	69000269	PUMP VM 200L/H RANCILIO	1			
3	69000734	FLEX PIPE MM1800 WITH ELBOW+CHECK VALVE	1			
	69000735	FLEX PIPE MM2300 WITH ELBOW+CHECK VALVE	1			
4	69000722	FLEX PIPE MM.500	1			
	69000724	FLEX PIPE MM.1200	1			
	69000725	PIPE FLEX MM.730	1			
5	69000243	PUMP MANOMETER PIPE	1			
6	10041042	Pipe 4 x 3 mmL = 600 mm	1			
7	10022320T	CORPO CALD.SCF 2GR.	1			
	10022330T	CORPO CALD.SCF 3GR.	1			
	10022340T	BOILER SCF 4GR.	1			
8	33323430	Resistance + Kap V230/W4300	1			
	33323600	Resistance + Kap V230/W6000	1			
9	36930012	heating element Gasket	1			
10	37040821	Screw M 8X22	1			
11	38123665	COVER HEATING ELEMENT	1			
12	35002508	BOILER MANOMETER	1			
13	35002509	PUMP MANOMETER	1			
14	10043007	BOILER DISCHARGE PIPE COMPL.	1			
15	34020020	CONDENSER 8 MF RPM	1			



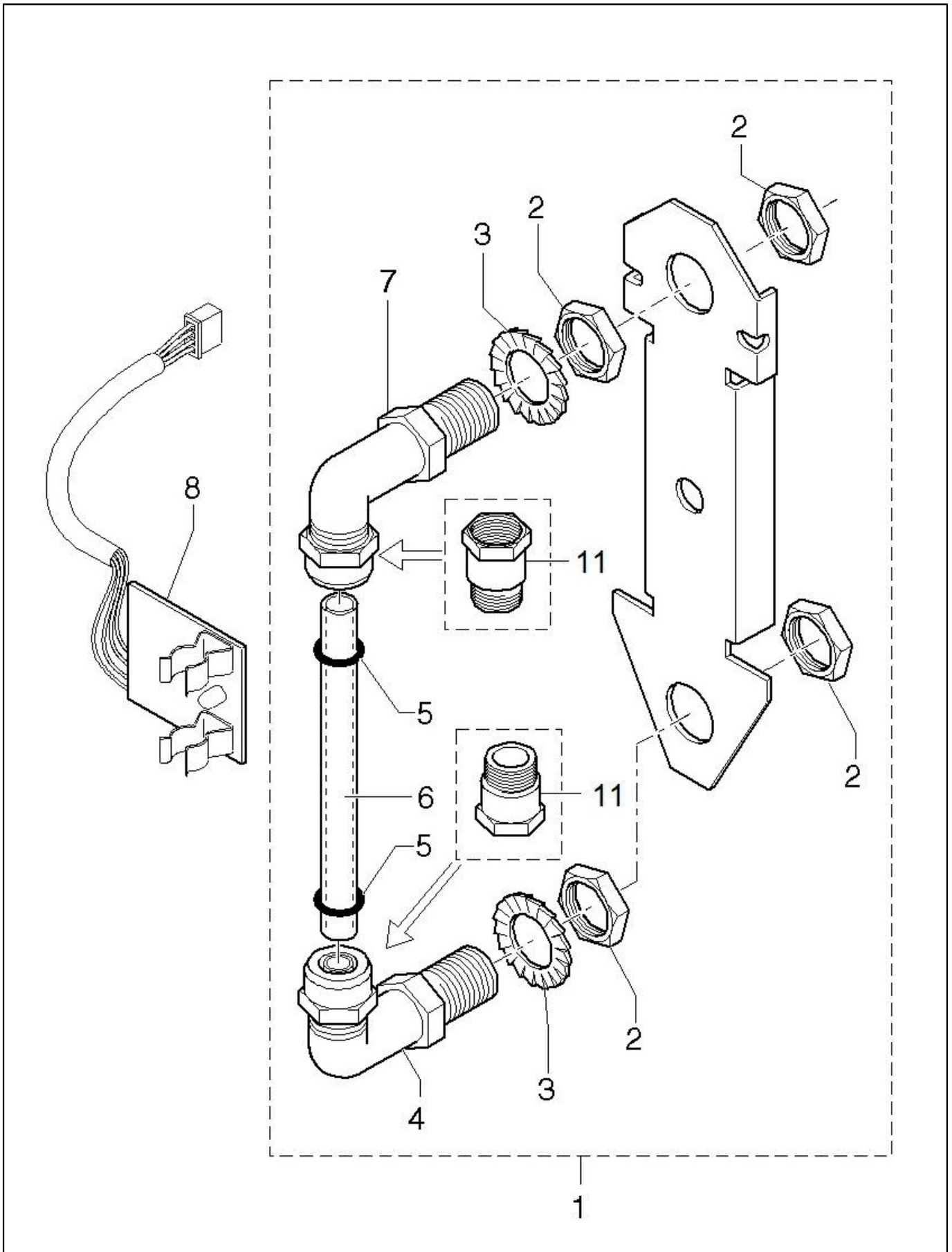
POS.	CODE	DESCRIPTION	QTY	START DATE	END DATE	NOTES
1	37040830	Screw M 8X30	1			
2	20112011	FILTER-HOLDER	1			
3	10051170	GRUPPO CON CAM.INFUS.C10/SDE 2	1			
4	36301034	GASKET GROUP PEROSSIDICA	1			
5	25139001	GROUP JETBREAKER	1			
6	40200005	SHOWER NET	1			
7	37030518	SHOWER SCREW	1			
8	36402005	EV GASKET	1			
9	37060413	Screw M 4 X 12	1			
10	34040024	ELECTROVALVE 24VDC 3	1			
11	10090002	THERM.GROUP JETBREAKER	1			
13	40100001	1-CUP LOWER FILTER	1			
14	40100010	2 CUP FILTER	1			
15	25105005	FIX.FILTER SPRING	1			
16	10071137	2 CUP FILTER-HOLDER 09	1			
17	21100801	2 CUP BEAK MC/09	1			
18	10071118	1 CUP FILTER HOLDER 09	1			
19	21102601	1 CUP BEAK MC/09	1			
20	23000038	JET CAP GROUP	1			
22	20122652	INFUSION CHAMBER PLUG	1			
23	27400002	INFUS.CHAMBER TAP GASKET	1			
24	10060603	KIT GIGLEUR MC/08	1			
25	20200051	CORP GROUPE	1			
26	10060184	KIT ASSEMBLY FILTER HOLDER CAP	1			
27	10071100	FILTERHOLDER NO BECK	1			
28	10705091	KIT FILTER HOLDER TAP 07	1			
31	20200181	SPACE GROUP NICKEL	1			



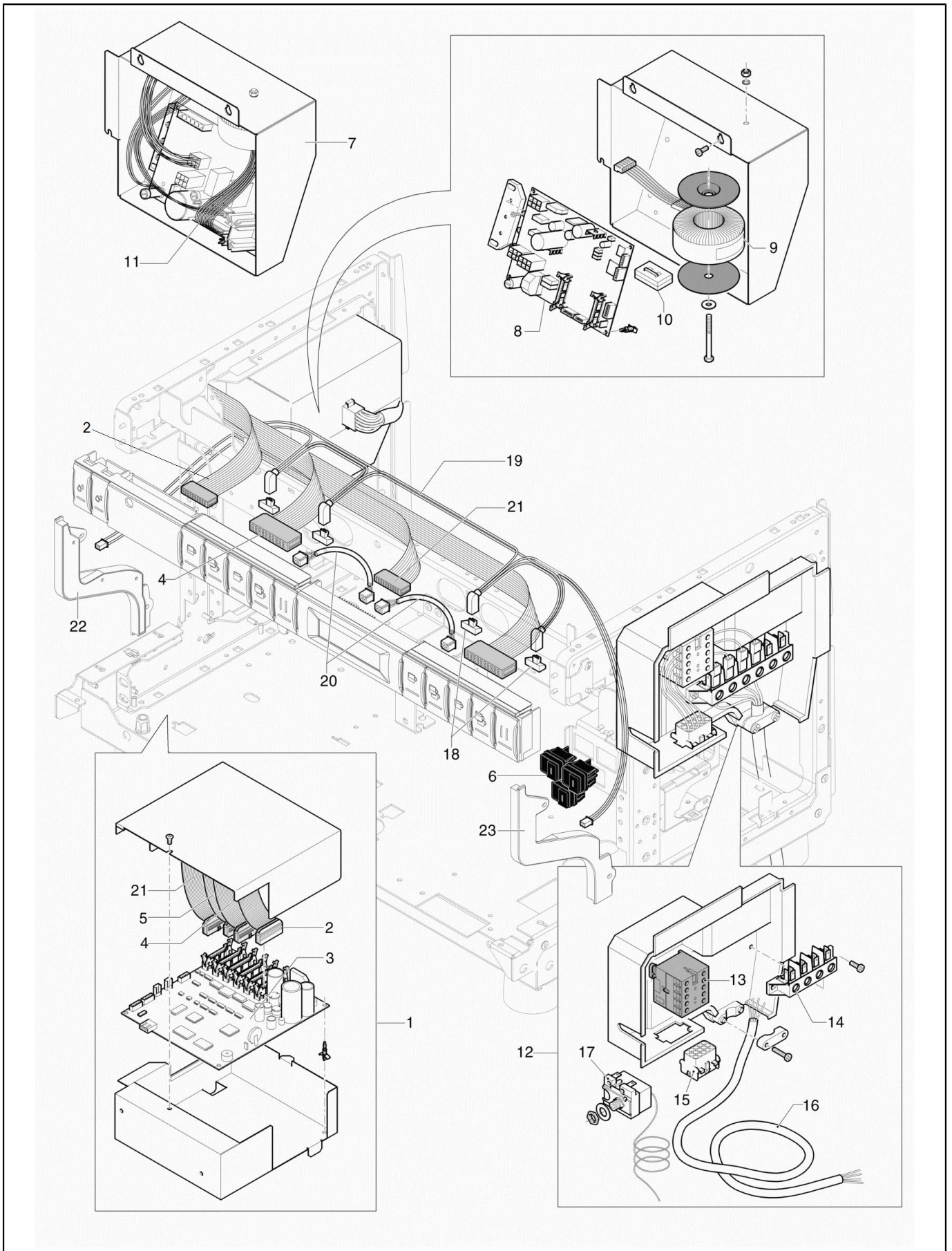
POS.	CODE	DESCRIPTION	QTY	START DATE	END DATE	NOTES
1	10049014	Neoperl mixing nozzle G 3/8	1			
2	36930016	Gasket	1			
3	39110038	Spring	1			
4	36220009	Joint	1			
5	20200112	Hot Water connector NSF	1			
6	37431600	OUTER TOOTHED Washer D16	1			
7	26220005	Flat Nut 3/8	1			
8	23000158	EXTENSION TAP C9	1			



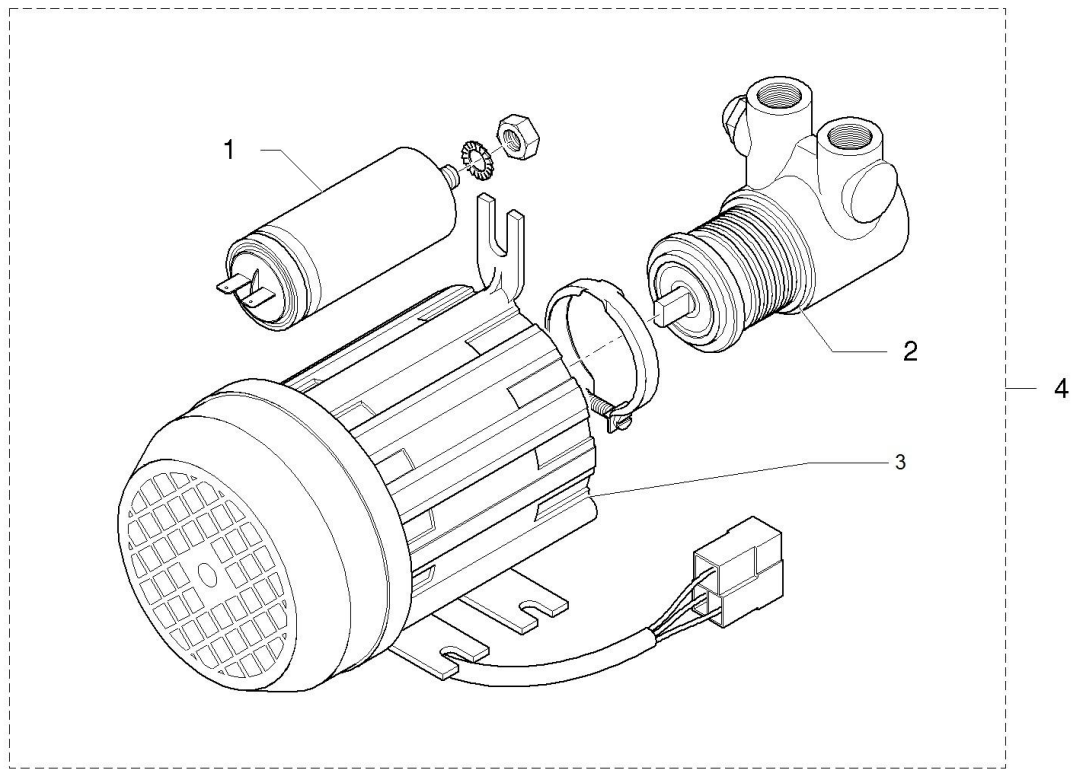
POS.	CODE	DESCRIPTION	QTY	START DATE	END DATE	NOTES
1	10706034	STEAM PIPE+JOINT LG.25 INOX	1			CLASSE 9
2	23000121	SPRAYER LG25 D1.1	1			
	25111006	Steam nozzle	1			
3	36404022	O-ring seal	1			
4	10049112	STEAM PIPE INOX LG 25	1			CLASSE 9
5	36990004	Rubber for Steam PIPES	1			
7	36930017	Joint	1			
8	36930016	Gasket	1			
9	39110038	Spring	1			
10	36220009	Joint	1			
11	10060104	FAST STEAM COCK SX + A.V.VALVE	1			
12	10060181	HANDLE CLEVER	1			
13	10060106	FAST STEAM COCK DX + A.V.VALVE	1			
16	10705180	KIT AV VALVE STEAM TAP	1			
19	36301105	STEAM COCK NUT GASKET	1			
20	23000003	DISK BLOC NUT GR. CL 10/RE	1			
24	37510700	ELASTIC RING D.7	1			
25	36230001	Teflon Washer	1			
26	32239044	NEW Steam COCK Washer	1			
27	20112601	CAMS SX STEAM COCK	1			
	20112603	CAMS DX STEAM COCK	1			
28	23000047	COCK ROD BUSH	1			
29	36402003	GASKET OR 2037	1			
30	25132003	Spring GUIDE for NEW COCK	1			
31	39110035	Water-Steam COCK Spring	1			
32	10060002	ROD+Nut AND Steam COCK GASKET	1			
33	10060001	NUT+STEAM COCK GASKET	1			
34	27400001	BUSH Gasket	1			
35	10705014	STEAM COCK BODY+VALVE A.VV	1			
36	39110036	SPRING STEAM COCK	1			
37	25128015	WAND EXTENTION INOX	1			
39	10060005	NUT STEAM COCK	1			



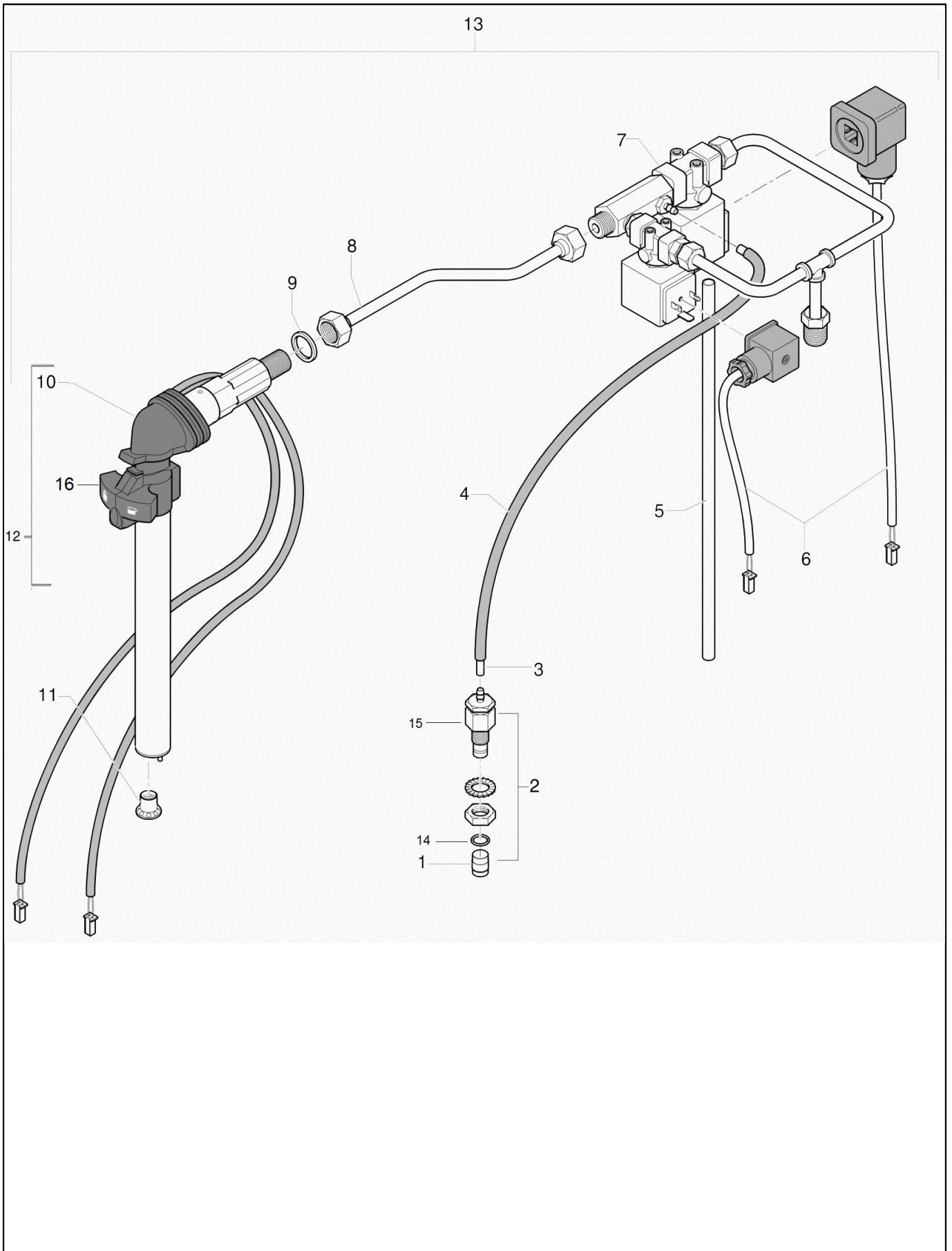
POS.	CODE	DESCRIPTION	QTY	START DATE	END DATE	NOTES
1	10060381	LEVEL INDICATOR C9	1			
2	26220005	Flat Nut 3/8	1			
3	37430600	Tooth lock Washer D. 6	1			
4	20121103	Junction for Level	1			
5	36402003	GASKET OR 2037	1			
6	38228066	TEFLON PIPE D.10X8X107,5	1			
7	23222035	LONG JUNCTION 3/8	1			
8	34070211	Level Board	1			



POS.	CODE	DESCRIPTION	QTY	START DATE	END DATE	NOTES
1	10110384	CPU BOX X-CELSIUS	1			
2	10110752	FUNCTIONS CABLE	1			
3	10700983	KIT CPU BOARD C9 USB/X-CELSIUS	1			
4	10110439	Wiring panel-GROUP 1	1			
	10110440	Wiring panel-GROUP 2	1			
5	10110441	Wiring panel-GROUP 3	1			
	10110442	Wiring panel.GROUP 4	1			
6	34030970	GREEN SWITCH	1			
7	10110357	POWER C10/07 BOX COMPLETE	1			
8	10700980	KIT ELECTRONIC BOARD POWER 07	1			
9	34200267	TRANSFORMER 0-200-230-250V	1			
10	38123598	Fuse box	1			
11	10110649	WIRING POWER BOARD	1			
12	10110359	ELECTRIC BOX 230V	1			
13	34200332	MINI-CONTACTOR	1			
14	34150026	CLAMP 4 POSITION	1			
15	10110655	WIRING POWER	1			
16	34300073	Cable	1			
	34300074	CABLE 3 WIRES 2,5	1			
17	34200097	SAVE- HEATING ELEMENT EGO MONOF.	1			
18	10705683	LED GROUPS	1			
19	10110738	LIGHT CABLE 2GR C9	1			
	10110739	LIGHT WIRING 3GR	1			
	10110740	LIGHT WIRING 4GR	1			
20	10110744	RGB PANEL CABLES 1-2 GR	1			
	10110745	RGB PANEL CABLES 3-4 GR	1			
21	10110405	panel Wiring 2GR	1			
22	10705681	LED BAR RIGHT	1			
23	10705682	LED BAR LEFT	1			



POS.	CODE	DESCRIPTION	QTY	START DATE	END DATE	NOTES
1	34020020	CONDENSER 8 MF RPM	1			
2	10705960	KIT PUMPING ELEMENT	1			
	69000006	PUMP VM21 Z11 NSF	1			
	69000269	PUMP VM 200L/H RANCILIO	1			
3	34011102	VM MOTOR 230V	1			
4	13077071	PUMP 230V 1/2GR	1			



POS.	CODE	DESCRIPTION	QTY	START DATE	END DATE	NOTES
1	23000092	Flow limiter D. 0,25 mm	1			
	23000093	Flow limiter D. 0,35 mm	1			
2	10705320	AIR INPUT VALVE	1			
3	38228016	SILICON PIPE D5X3	1			
4	34209124	SHEATH PLAITED POLIESTER UL94	1			
5	38228002	Silicone hose D. 9 x 6mmL = 560 mm	1			
6	10110420	Wiring GROUP/Water EV.	1			
7	10705575	ASSEMBLY ELETTR. -VENTURI ISTEAM	1			
8	10043067	PIPE 8X6X210 F3/8-F3/8 2-3-4GR.	1			
9	23000091	DISTANCE STEAM TAP BODY ISTEAM	1			
10	36990017	STEAM SHROUD ISTEAM	1			
11	23000098T	ISTEAM SPRAYER	1			
12	10705350	KIT ISTEAM LONG	1			
13	10705980	KIT ISTEAM CLASSE 9	1			
14	36404013	Gasket OR 2031	1			
15	36230017	Duckbill	1			
16	10705359	ISTEAM PANEL	1			

Code	No. table	Pos.
10022320T	2003	7
10022330T	2003	7
10022340T	2003	7
10041042	2003	6
10042022	2000	4
10042052	2000	12
10042053	2000	12
10042117	2000	13
10042127	2000	8
10042172	2000	17
10042173	2000	17
10042217	2000	18
10042218	2000	18
10043007	2000	40
10043007	2003	14
10043028	2000	24
10043033	2000	22
10043036	2000	23
10043039	2000	26
10043044	2000	3
10043046	2000	14
10043067	2000	15
10043067	4000	8
10043102	2000	5
10044026	2000	30
10044027	2000	28
10044035	2000	31
10044036	2000	32
10046014	2000	11
10046015	2000	11
10046016	2000	11
10049014	2007	1
10049112	2008	4
10051170	2004	3
10060001	2008	33
10060002	2008	32
10060005	2008	39
10060050	2000	27
10060104	2008	11
10060106	2008	13
10060181	2008	12
10060184	2004	26
10060381	2000	33
10060381	2010	1
10060466	2000	35
10060479	2000	9
10060525	2000	1
10060603	2004	24
10071100	2004	27
10071118	2004	18
10071137	2004	16
10090002	1003	8
10090002	2004	11
10110357	3000	7
10110359	3000	12
10110384	3000	1
10110402	2000	34
10110405	3000	21
10110420	4000	6
10110439	3000	4
10110440	3000	4
10110441	3000	5
10110442	3000	5
10110445	2000	34
10110470	1001	6
10110649	3000	11
10110655	3000	15

Code	No. table	Pos.
10110738	3000	19
10110739	3000	19
10110740	3000	19
10110744	3000	20
10110745	3000	20
10110752	3000	2
10700276	1000	1
10700277	1000	1
10700278	1000	1
10700980	3000	8
10700983	3000	3
10705014	2008	35
10705091	2004	28
10705180	2008	16
10705320	4000	2
10705350	4000	12
10705359	4000	16
10705575	4000	7
10705673	1001	3
10705674	1001	4
10705675	1001	5
10705681	1000	10
10705681	3000	22
10705682	1000	11
10705682	3000	23
10705683	3000	18
10705933	2000	21
10705960	2003	2
10705960	3003	2
10705980	4000	13
10706034	2008	1
10706068	2000	7
10706083	2000	6
10781163	1003	7
10905015	1000	7
10905016	1000	8
13077071	3003	4
20112011	2004	2
20112601	2008	27
20112603	2008	27
20121103	2010	4
20122652	2004	22
20123001	2000	39
20200051	2004	25
20200112	2007	5
20200181	2004	31
21100801	2004	17
21102601	2004	19
23000003	2008	20
23000038	2004	20
23000042	1003	2
23000047	2008	28
23000091	4000	9
23000092	4000	1
23000093	4000	1
23000098T	4000	11
23000121	2008	2
23000158	2000	42
23000158	2007	8
23000163	2000	19
23125009	2000	29
23125017	2000	29
23125021	2000	29
23222035	2010	7
25105005	2004	15
25111006	2008	2
25128015	2008	37

Code	No. table	Pos.
25132003	2008	30
25139001	2004	5
26220005	2007	7
26220005	2010	2
27120130	2000	2
27350001	2000	16
27400001	2008	34
27400002	2004	23
32239044	2008	26
32330971	1000	3
32330972	1000	4
32330973	1000	28
32331702	1000	14
32331703	1000	14
32331704	1000	14
32331706	1000	15
32331707	1000	15
32331708	1000	15
32331710	1000	13
32331711	1000	13
32331712	1000	13
32331714	1000	12
32331715	1000	12
32331716	1000	12
32331718	1003	4
32331719	1003	4
32331720	1003	4
32331722	1003	5
32331723	1003	5
32331724	1003	5
32331726	1000	5
32331727	1000	5
32331728	1000	5
32331730	1000	6
32331731	1000	6
32331732	1000	6
32331736	1000	16
32331737	1000	16
32331738	1000	16
32331747	1001	2
32331748	1001	2
32331749	1001	2
33122002	1000	2
33122003	1000	2
33122004	1000	2
33323430	2003	8
33323600	2003	8
34011009	2003	1
34011102	2003	1
34011102	3003	3
34020020	2003	15
34020020	3003	1
34030970	3000	6
34040024	2004	10
34049011	2000	21
34049012	2000	21
34070050	2000	20
34070211	2000	41
34070211	2010	8
34150026	3000	14
34200097	3000	17
34200267	3000	9
34200288	2000	25
34200332	3000	13
34209124	4000	4
34300073	3000	16
34300074	3000	16

Code	No. table	Pos.
35002508	2003	12
35002509	2003	13
36220009	2007	4
36220009	2008	10
36230001	2008	25
36230017	4000	15
36301034	2004	4
36301105	2008	19
36402003	2008	29
36402003	2010	5
36402005	2004	8
36404013	4000	14
36404022	2008	3
36404026	1003	3
36930012	2003	9
36930016	2007	2
36930016	2008	8
36930017	2008	7
36990004	2008	5
36990017	4000	10
37030408	1003	10
37030509	1000	30
37030518	2004	7
37040821	2003	10
37040830	2004	1
37060413	2004	9
37154212	1000	29
37154212	1001	10
37154212	1003	9
37430600	2010	3
37431600	2007	6
37510700	2008	24
37521000	1003	6
38120501	1000	17
38120502	1000	18
38120503	1000	19
38120507	1003	1
38120508	1001	9
38120511	1000	25
38120515	1001	7
38120521	1000	24
38123568	1000	22
38123598	3000	10
38123665	2003	11
38123666	1000	20
38123852	1000	27
38123856	1000	21
38123921	1000	23
38123946	2000	37
38123947	2000	36
38228002	2000	10
38228002	4000	5
38228003	2000	38
38228016	4000	3
38228066	2010	6
39110035	2008	31
39110036	2008	36
39110038	2007	3
39110038	2008	9
40100001	2004	13
40100010	2004	14
40200005	2004	6
42200123	1000	26
45010216	1001	8
69000006	3003	2
69000243	2003	5
69000269	2003	2

Code	No. table	Pos.
69000269	3003	2
69000722	2003	4
69000724	2003	4
69000725	2003	4
69000734	2003	3
69000735	2003	3



Headquarters, Production Plant and R&D Centers Worldwide Branch Locations

Rancilio Group s.p.a.
Viale della Repubblica 40
20010 Villastanza di Parabiago
Milano Italy
Tel +39 0331 408200
Fax +39 0331 551437
www.ranciliogroup.com
info@ranciliogroup.com

Egro Suisse AG
Bahnhofstrasse 66
5605 Dottikon, Switzerland
Tel. +41 (0)56 616 95 95
Fax +41 (0)56 616 95 97
www.egrocoffee.com
info@egrocoffee.com

SPAIN

RancilioGroup Espana, s.a.
Gran Via de Carlos III, 84 3ª
Edificio Trade
08028 Barcelona Spain
Tel. +34 902 884 275
Tel. +34 934 923 414
Fax +34 93 496 57 01
www.ranciliogroup.com
info-es@ranciliogroup.com

PORTUGAL

Rancilio Group Portugal Lda
Estrada da Falagueira nº 68 E
2700-365 Amadora-Lisboa Portugal
Tel. +35 121 019 1091
Fax +35 121 019 1091
www.ranciliogroup.com
info-pt@ranciliogroup.com

GERMANY

Rancilio Group Deutschland GmbH
Talstrasse 27
D-97990 Weikersheim
Ph. +49 7934 99 29 30
Fax +49 7934 99 29 330
www.egro-deutschland.de
info-de@ranciliogroup.com

SWITZERLAND

Egro Suisse AG
Bahnhofstrasse 66
5605 Dottikon, Switzerland
Tel. +41 (0)56 616 95 95
Fax +41 (0)56 616 95 97
www.egrosuisse.ch
info@egrosuisse.ch

USA/CANADA

RancilioGroup North America Inc.
1340 Internationale Parkway / Suite 200
Woodridge, IL 60517 USA
Ph: +1 630 914-7900
Fax: +1 630 914 7901
Toll Free: +1 877 726 2454
www.ranciliogroup.com
info@ranciliogroupna.com

Sales Representative Office

ASIA

Asian Market Access HK Ltd
601 Tak Woo House
17-19 D'aguilar Street Central
Hong Kong
Ph. +852 2521 7839
Fax +852 2521 5787
www.ranciliogroup.com

