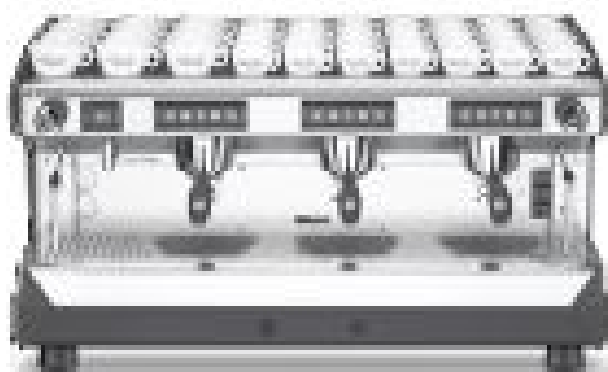




coffeeing the World

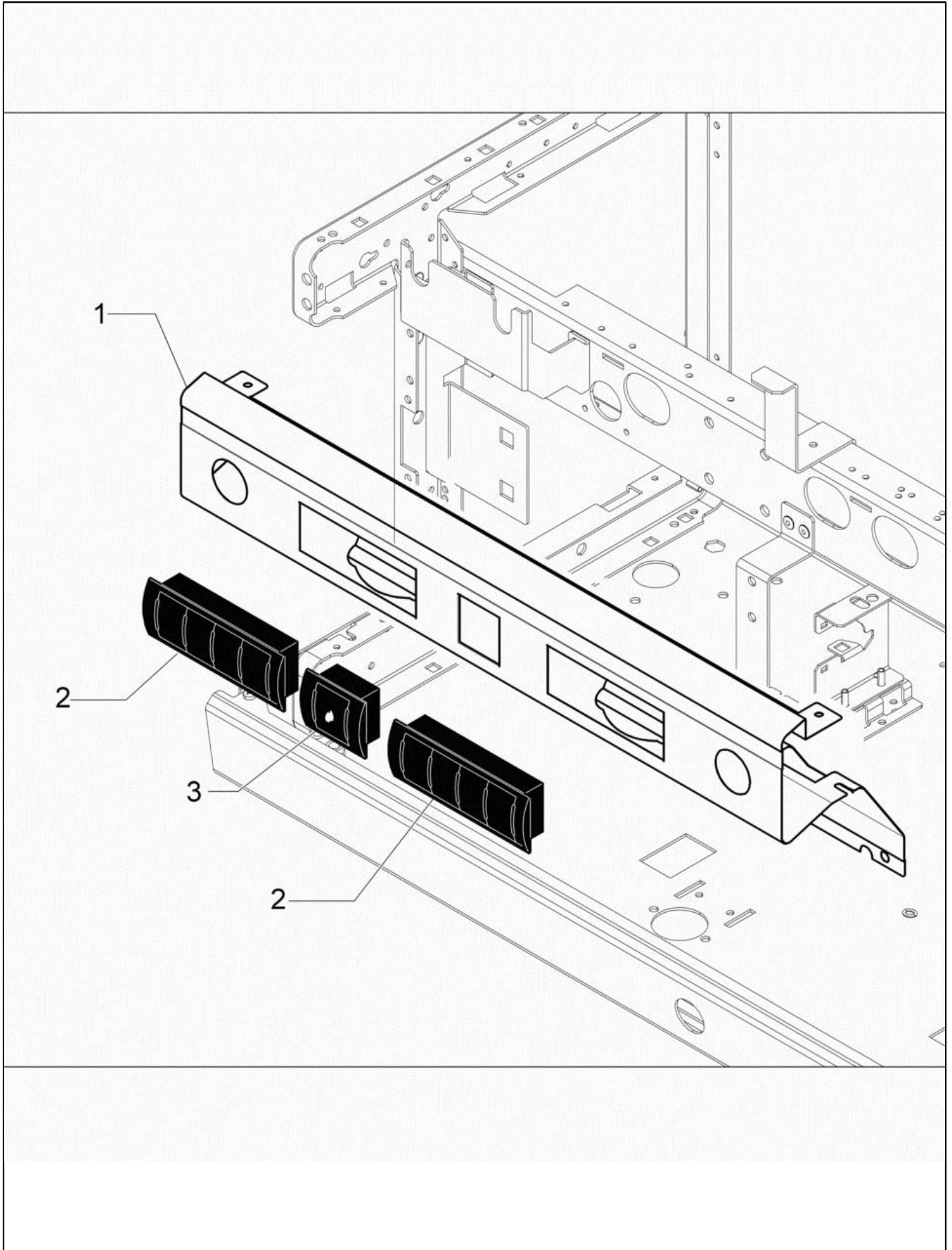
CLASSE 7 E/14



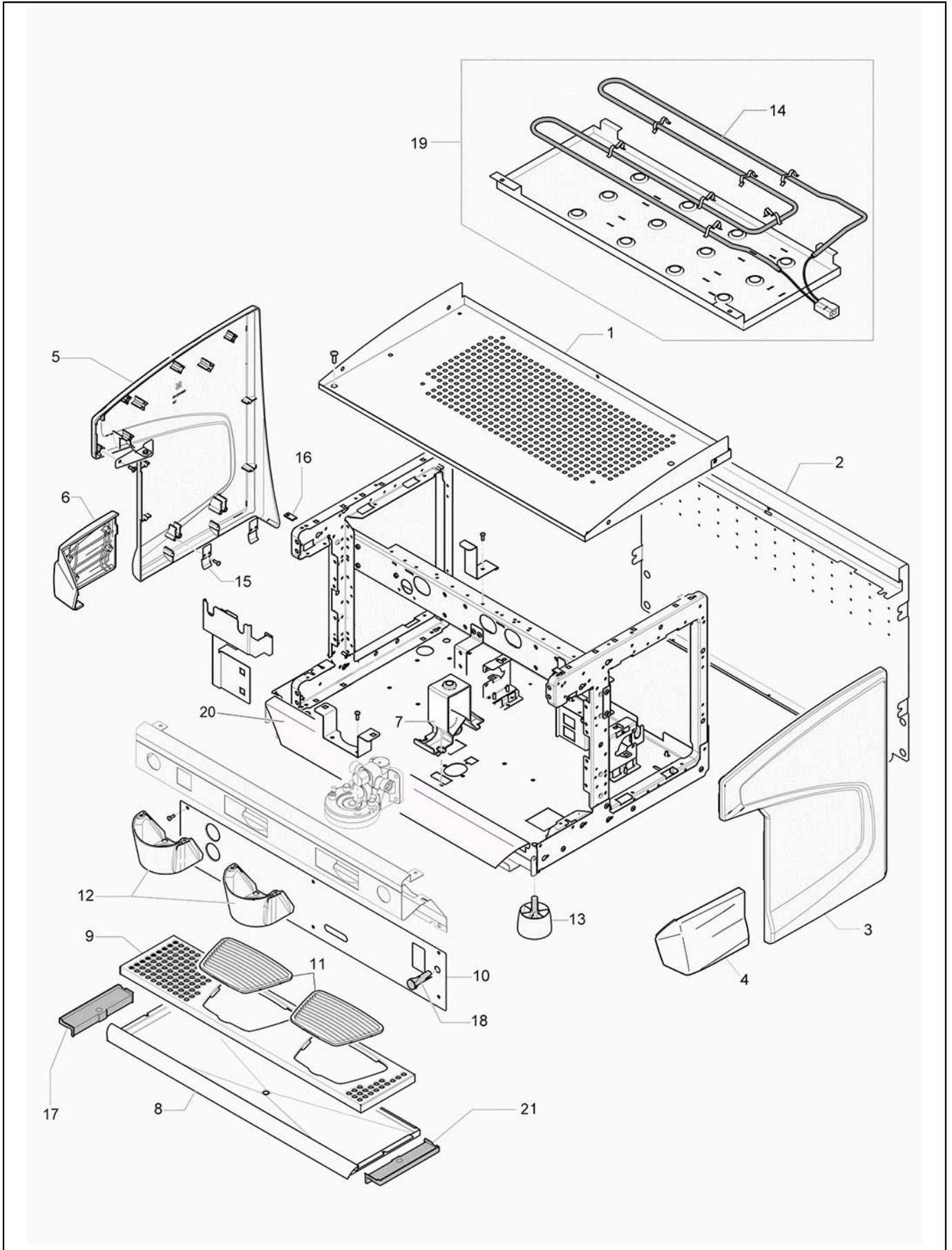
CLASSE 7

Index

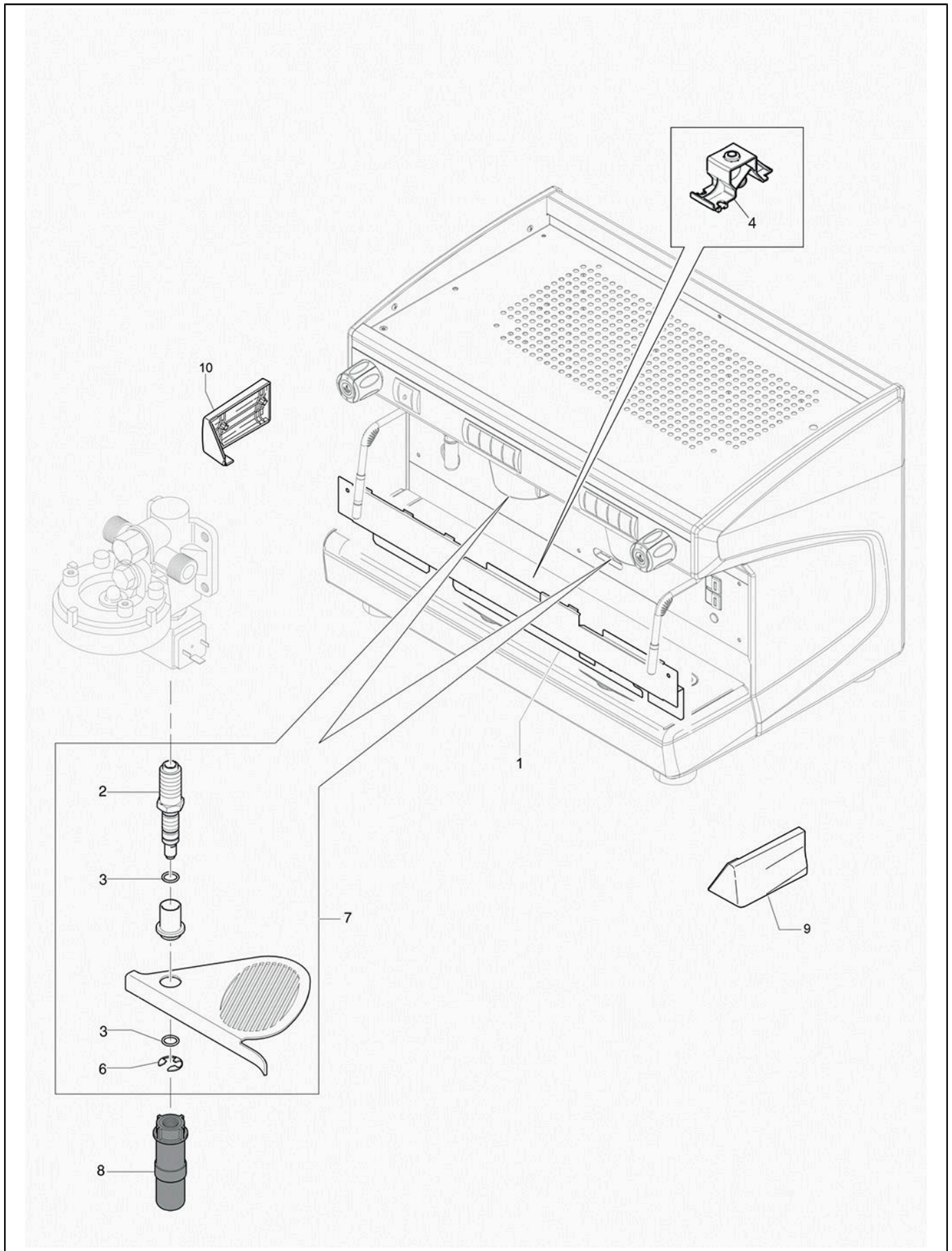
Table 1004 - CONTROL PANEL COMPACT E.....	4
Table 1000 - Body.....	6
Table 1003 - HOUSING TALL.....	8
Table 1001 - CONTROL PANEL E.....	10
Table 2004 - BREWING GROUP 110-220V.....	12
Table 2006 - Water spout	14
Table 2007 - STEAM TAP.....	16
Table 2000 - HYDRAULIC CIRCUIT E.....	18
Table 2003 - BOILER/MOTOR PUMP.....	20
Table 3000 - ELECTRIC/ELECTRONIC PARTS E.....	22
Table 4000 - Clever Steam Tap	24
Table 4002 - YOUSTEAM E.....	26
Alphanumeric index.....	28



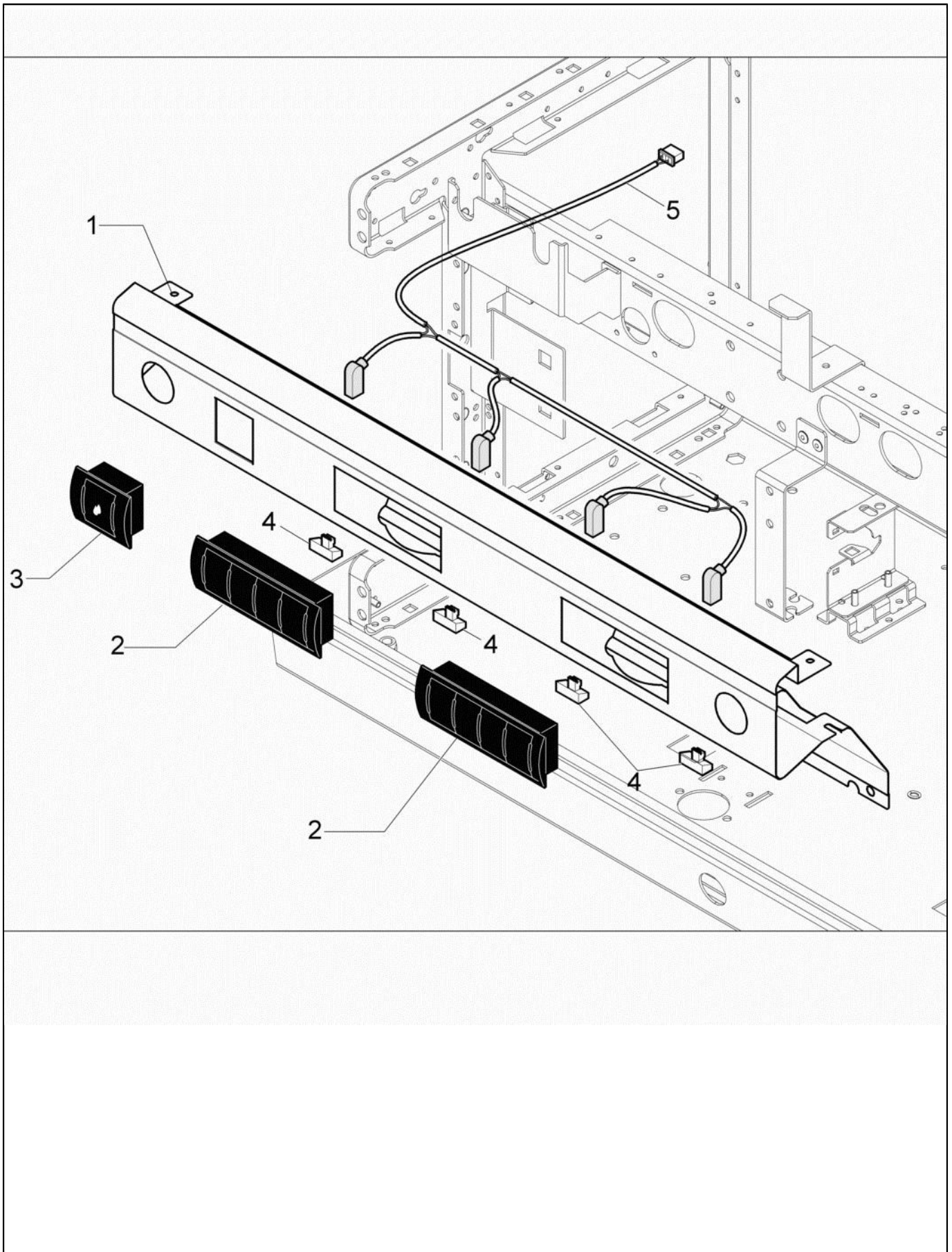
POS.	CODE	DESCRIPTION	NOTES
1	32331855	control panel 2gr classe 7/14 E comp.	
2	10705678	KEYBOARD COFFEE C7 E	
3	10705680	WATER SWITCH	



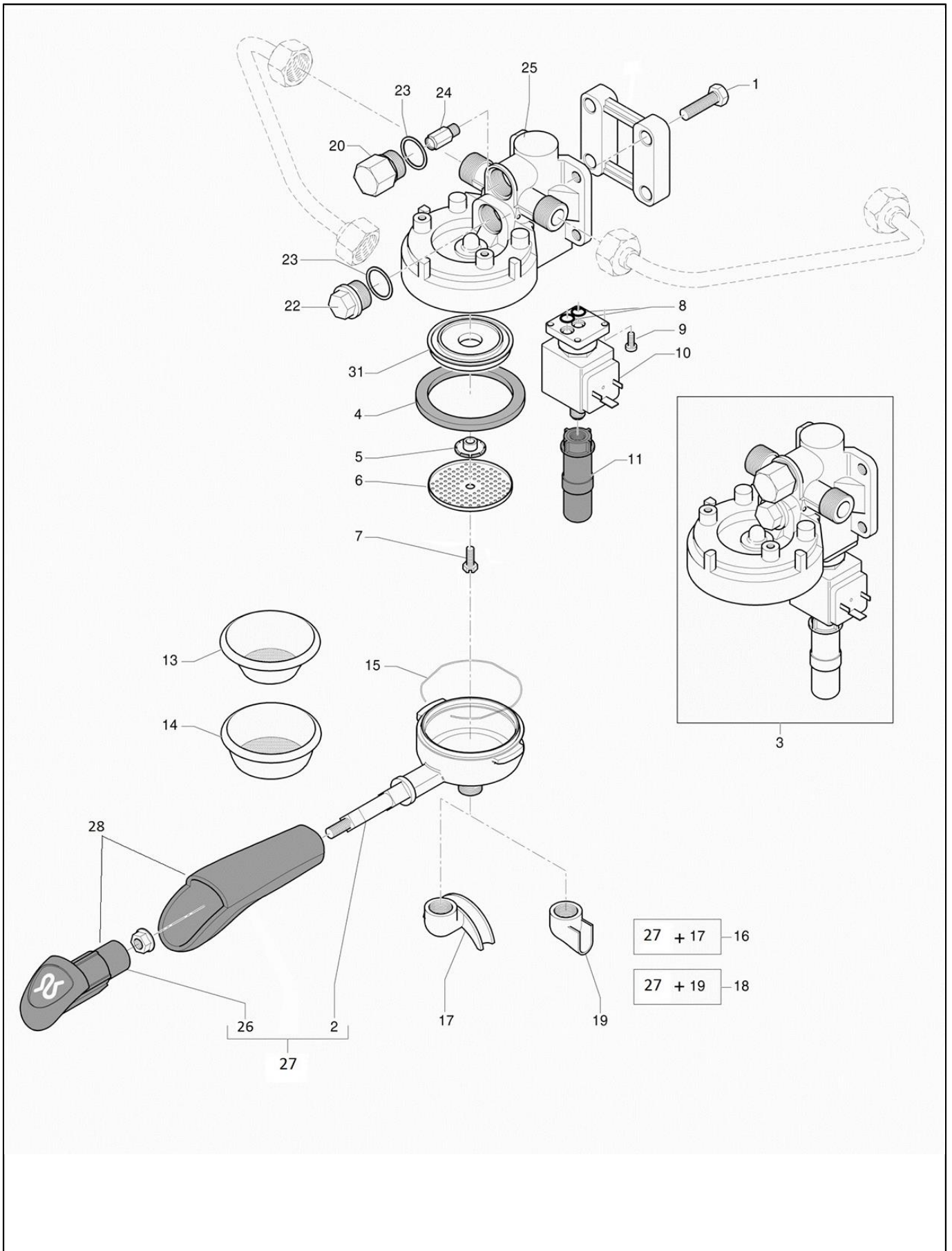
POS.	CODE	DESCRIPTION	NOTES
1	32331663	TOP SIDE PANEL C7 2GR COMP	
	32331664	TOP 2GR	
	32331665	TOP 3GR	
2	32331861	rear panel 2gr classe 7/14 compact	
	32331862	rear panel 2gr classe 7/14	
	32331863	rear panel 3gr classe 7/14	
3	10705469	side panel right classe 7/14	
4	38123949	side cup tray panel right classe 7/14	
5	10705470	side panel left classe 7/14	
6	38123950	side cup tray panel left classe 7/14	
7	36901802	DRAIN TUBE	
	38123954	drain tray canalizer classe 7/14	
8	32331827	drain tray 2GR comp. classe 7/14	
	32331828	drain tray 2GR classe 7/14	
	32331829	drain tray 3GR classe 7/14	
9	32331832	cup tray 2gr comp. Classe 7/14	
	32331833	cup tray 2gr classe 7/14	
	32331834	cup tray 3gr classe 7/14	
10	32331844	mask 2gr classe 7/14 comp.	
	32331845	mask 2gr classe 7/14	
	32331846	mask 3gr classe 7/14	
11	38123666	CUP TRAY MC/07	
12	21300790	chromed group cover Classe 7	
13	38123568	Coffee machine leg	
14	33122002	Cup-WARMER Resistanceance 230V 2GR	
	33122003	Cup-WARMER Resistanceance 230V 3GR	
15	32331178	SIDE PANEL HOOK	
16	37900808	Plate U-8/24/11	
17	38123953	side support classe 7/14	
18	34030110	ROUND ORANGE LAMP	
19	10700276	KIT CUPWARMER 2GR + SCREWS SET	
	10700277	KIT CUPWARMER 3GR + SCREWS SET	
	10700279	KIT CUPWARMER 2GR COMP. + SCREWS SET	
20	32331836	lower front panel drain tray 2gr comp. classe 7/14	
	32331837	lower front panel drain tray 2gr classe 7/14	
	32331838	lower front panel drain tray 3gr classe 7/14	
	32331840	lower front panel drain tray 2gr classe 7/14 gas	
	32331841	FRONTALE BAC.INFER.3GR.C7/14 GAS-FE-VERN.	
21	38123953	side support classe 7/14	
22	37030523	screw m5 x 10 tcbi ph inox	side panel
23	37154212	SCREW 4,2X13	front panel
24	37175012	ScrewM5 x 12mm	back panel



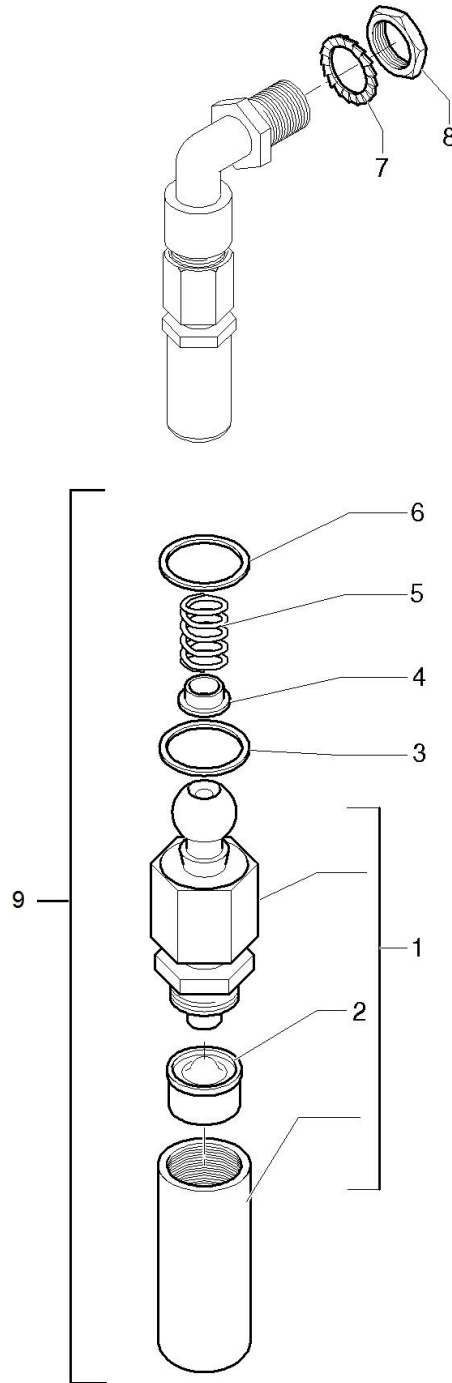
POS.	CODE	DESCRIPTION	NOTES
1	32331865	lower mask 2gr classe 7/14 comp. Tall	
	32331866	lower mask 2gr classe 7/14	
	32331867	lower mask 3gr classe 7/14 tall	
2	23000042	DRAIN ELECTROV TALL	
3	36404026	O-Ring 10,82 x 1,78 VITON 2043	
4	38123955	drain tray canalizer classe 7/14 tall	
5	32331868	upper mask 2gr classe 7/14 comp	
	32331869	upper mask 2gr classe 7/14	
	32331870	upper mask 3gr classe 7/14	
6	37521000	ELASTIC RING DIAM.10	
7	10781163	EXTRACTIBLE RISE	
8	10090001	THERM.GROUP JETBREAKER	
9	38123951	side cup tray panel right classe 7/14 tall	
10	38123952	side cup tray panel left classe 7/14 tall	



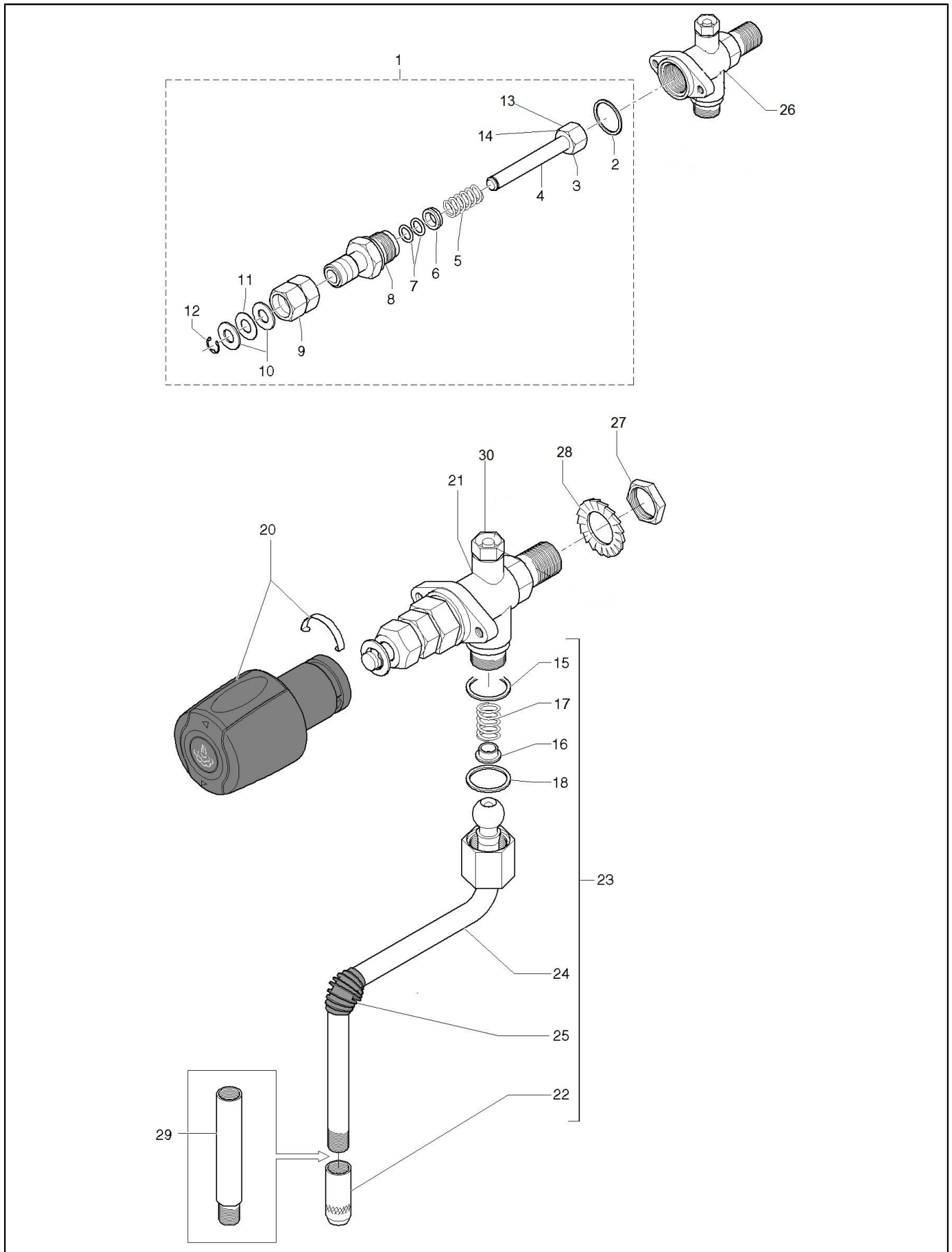
POS.	CODE	DESCRIPTION	NOTES
1	32331855	control panel 2gr classe 7/14 E comp.	
	32331856	control panel 2gr classe 7/14 E	
	32331857	control panel 3gr classe 7/14 E	
2	10705678	KEYBOARD COFFEE C7 E	
3	10705680	WATER SWITCH	
4	10705685	LED GROUP	
5	10110746	LIGHT WIRING 2GR	
	10110747	WIRING LIGHT 3GR	



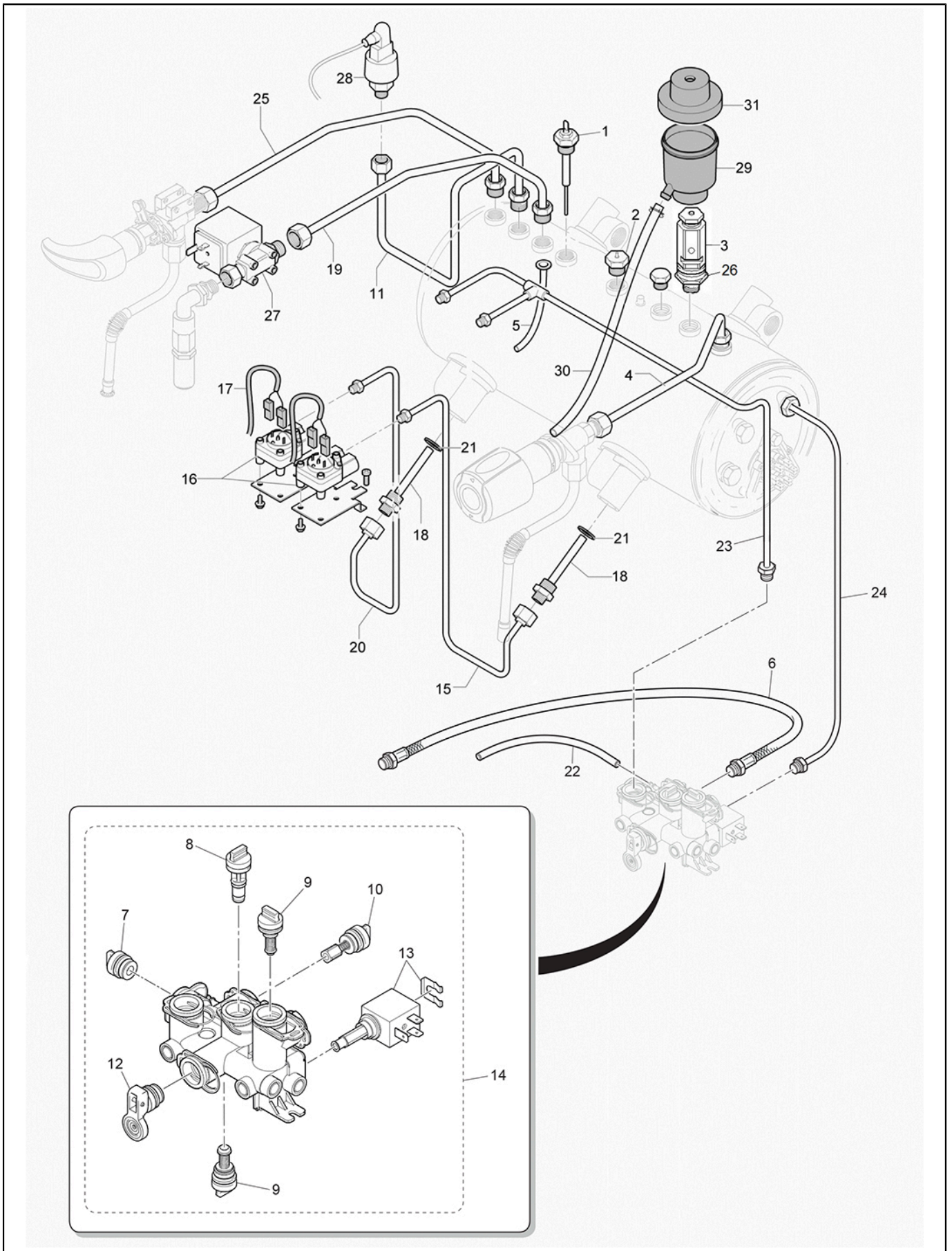
POS.	CODE	DESCRIPTION	NOTES
1	37040830	Screw M 8X30	
2	20112011	FILTER-HOLDER	
3	10051173	GROUP WITH INFUS.CHAMBER 230V	
	10051176	GROUP HEAD 120V	
4	36301046	group gasket perossidica hp	
5	25139001	GROUP JETBREAKER	
6	40200005	SHOWER NET	
7	37030518	SHOWER SCREW	
8	36402005	O-Ring Electrovalve	
9	37060413	Screw M 4 X 12	
10	34040149	ECO ELV 3 WAY UL 208-240V.	
	34040150	Electrovalve 3/2 ways 110-120V 60HZ UL Sirai	
11	10090002	THERM.GROUP JETBREAKER	
13	40100001	1 CUP FILTER	
14	40100010	2 CUP FILTER	
15	25105005	FIX.FILTER SPRING	
16	10071137	2 CUP FILTER-HOLDER 09	
17	21100801	2 CUP BEAK MC/09	
18	10071118	1 CUP FILTER HOLDER 09	
19	21102601	1 CUP BEAK MC/09	
20	23000227	group jet cap	
22	20122653	brewing group cap	
23	27400002	INFUS.CHAMBER TAP GASKET	
24	10060612	kit gicleur	
25	20200054	group body	
26	10705535	filterholder cap with Ring	
27	10071100	FILTERHOLDER NO BECK	
28	10705091	KIT FILTER HOLDER TAP 07	
31	20200182	ECO SPACE GROUP NICKEL	



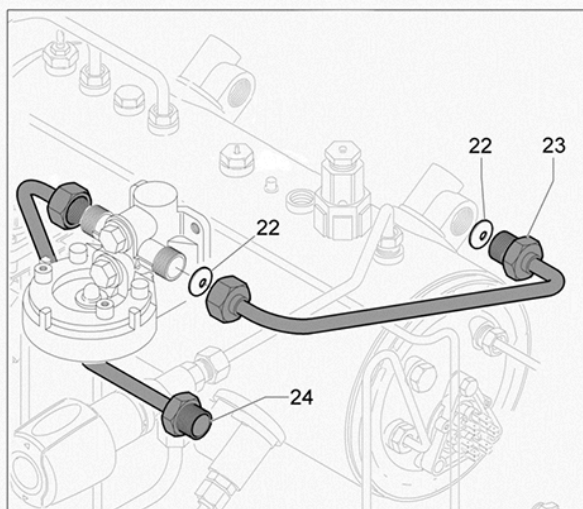
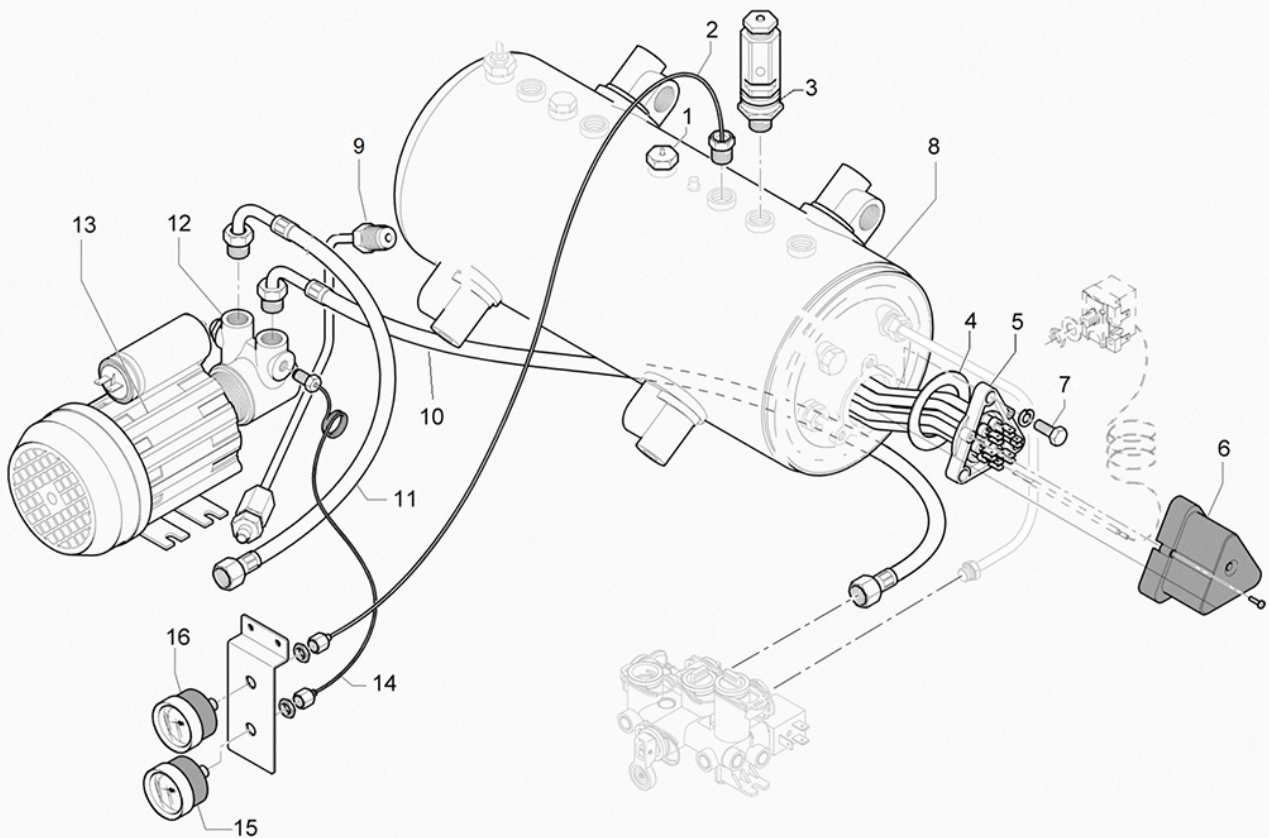
POS.	CODE	DESCRIPTION	NOTES
1	10705079	JETBREAKER+SPRAYER	
2	25135020	WATER SPRAYER FILTER C7	
3	36930017	Joint	
4	36930016	Gasket	
5	39110038	Spring	
6	36220009	Gasket Nut Note Teflon	
7	37431600	OUTER TOOTHED Washer D16	
8	26220005	Flat Nut 3/8	
9	10705174	HOT WATER LANCE C7	



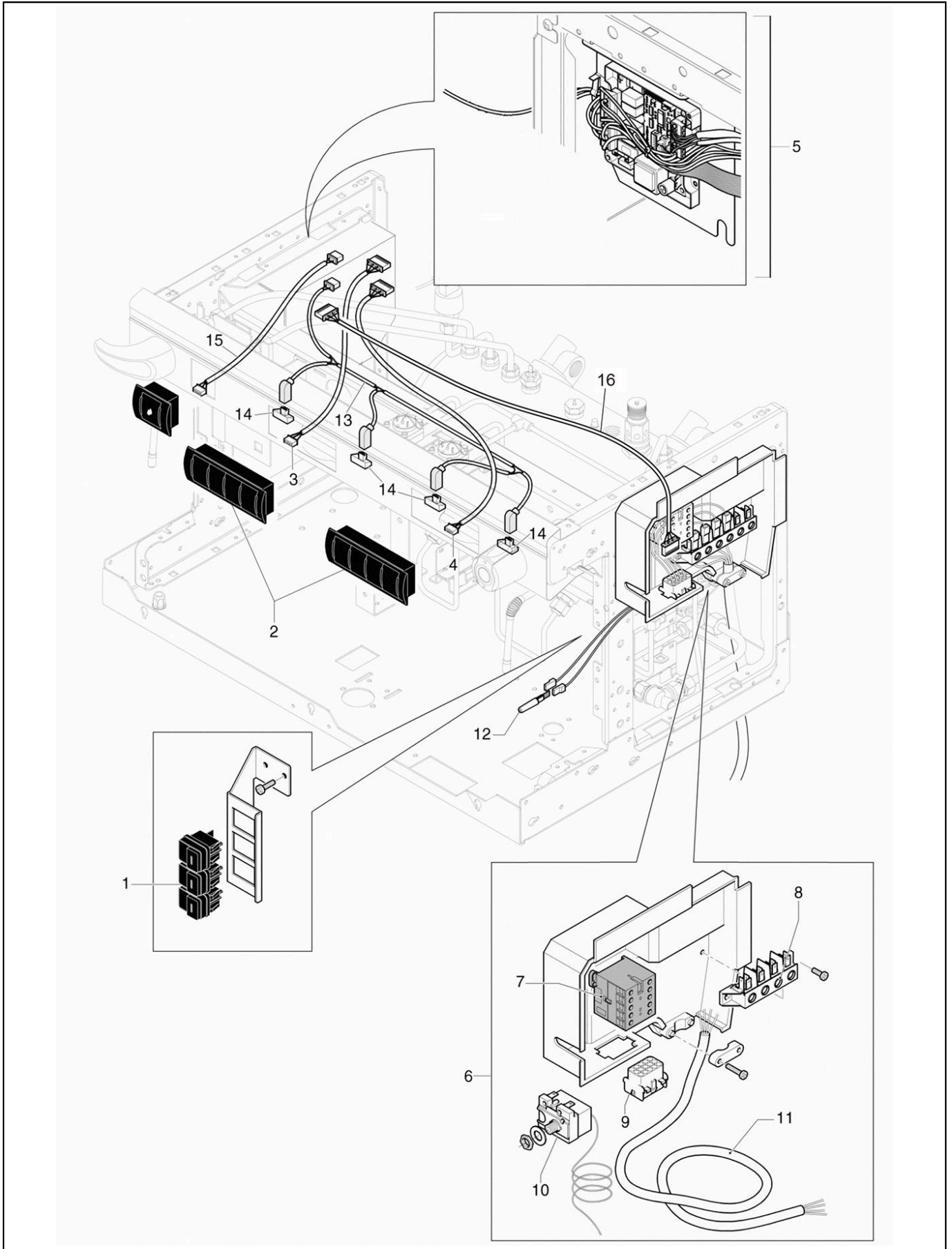
POS.	CODE	DESCRIPTION	NOTES
1	10706044	STEAM TAP MOVEMENT	
2	27400001	Gasket Copper Compass RE Group	
3	10060001	NUT+STEAM COCK GASKET	
4	10060002	ROD+Nut AND Steam COCK GASKET	
5	39110035	Water-Steam COCK Spring	
6	25132003	Spring GUIDE for NEW COCK	
7	36402003	O-Ring 9,25 x 1,78 VITON 75SH	
8	23000228	TAP ROD BUSH	
9	23220029	REG BUSH for NEW COCK	
10	32239044	NEW Steam COCK Washer	
11	36230001	Teflon Washer	
12	37510700	ELASTIC RING D.7	
13	36301105	Gasket for Nut steam Tap EPDM	
14	23000003	DISK BLOC NUT GR. CL 10/RE	
15	36220009	Gasket Nut Note Teflon	
16	36930016	Gasket	
17	39110038	Spring	
18	36930017	Joint	
20	10060183	Handle assay.	
21	10060103	STEAM TAP WITH A.V.VALVE	
22	23212033	NEW SPAYER LG 25	
23	10706003	STEAM PIPE	
24	10049056	STEAM PIPE BRASS	
25	36990004	Rubber for Steam PIPES	
26	10060021	compass+steam tap	
27	26220005	Flat Nut 3/8	
28	37431600	OUTER TOOTHED Washer D16	
29	25128014	STEAM WAND EXTENSION INOX	
30	10705180	KIT AV VALVE STEAM TAP	



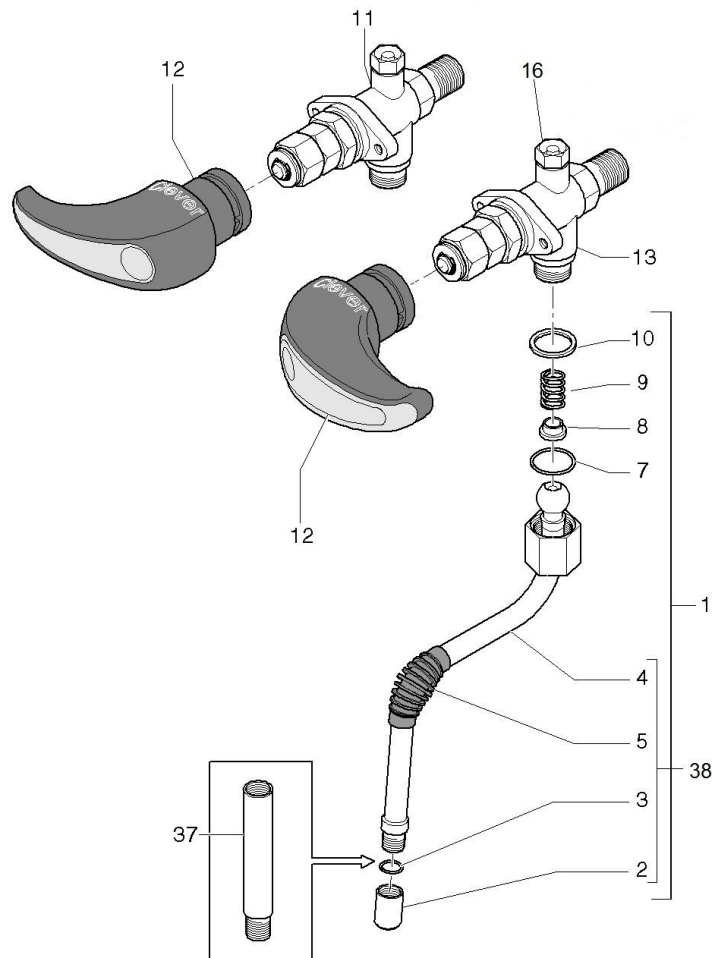
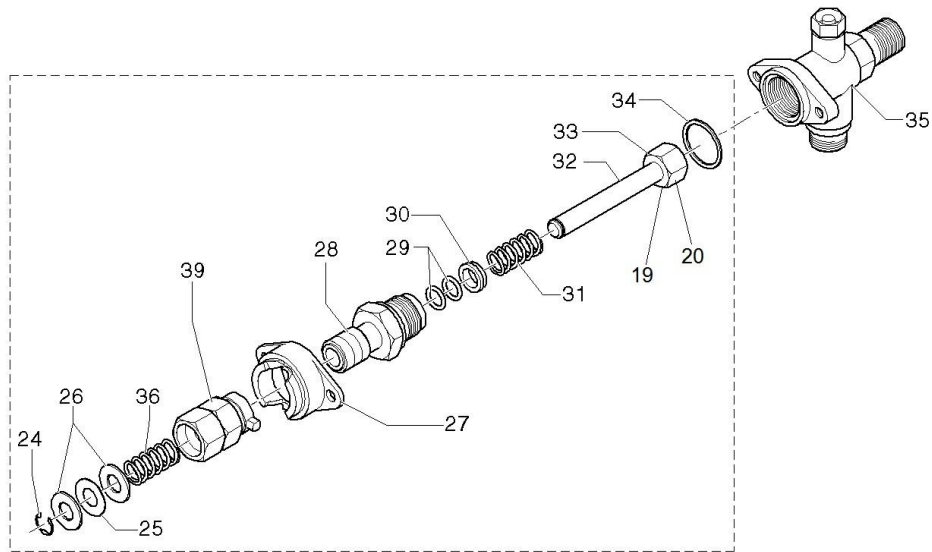
POS.	CODE	DESCRIPTION	NOTES
1	34200088	LEVEL PROBE ASSEMBLY	
2	10060059	Antivacuum Valve	
3	10060525	SAFETY VALVE	
4	10043046	Pipe 8 x 6 x mmL = 270 mm	
5	27120130	HOT WATER SUCTION PIPE	
6	36404052	O-Ring 9,16 x 2,62 FPM 3037	
	69000730	flex pipe m3/8 1060 mm elbow	3GR
	69000731	FLEX PIPE 3/8M-SN MM 830 ELBOW	2GR+COMPACT
7	69140012	closing bracket hydraulic module	
	69140019	pressure relief valve cap	
8	69140006	filter hydraulic module	
9	69140007	check valve hydraulic module	
	69140016	CHECK VALVE CAP	
	69140017	check valve piston	
	69140018	CHECK VALVE SPRING	
10	69140009	pressure relief valve hydraulic module	
	69140010	spring pressure relief valve hydraulic module	
	69140011	plunger pressure relief valve hydraulic module	
	69140019	pressure relief valve cap	
11	10043039	Pipe 8 x 6 x mmL = 350 mm	
12	69140008	manual tap hydraulic module	
13	69140014	operator kit 220-240v hydraulic module	
	69140015	operator kit 110-120v hydraulic module	
14	10700300	Starter kit Hydraulic Module 220-240v	
	10700323	starter kit Hydraulic Module 110-120v	
	10705937	HYDRAULIC BLOCK MC 110V	
	10705938	HYDRAULIC BLOCK MC 230V	
15	10042215	PIPE 6X4X490	vers. COMPACT TALL
	10042218	PIPE 6X4X410	
16	34070052	Flowmeter	
17	10110402	Flowmeter Wiring 1/2GR.	
	10110445	Wiring FAN 2-3-4 GR.	
18	10042004	injection pipe 127	
	10042006	injector pipe/14 L 175	
19	10043039	Pipe 8 x 6 x mmL = 350 mm	
20	10042207	pipe 6x4x480 f1/4-m1/4 left	Vers. COMPACT/COMPACT TALL
	10042215	PIPE 6X4X490	vers. TALL
	10042217	PIPE6X4X640	3° gr.
	10042218	PIPE 6X4X410	
21	27350001	GASKET 3/8 x 1 Copper Gas	
22	38228002	Silicone hose D. 9 x 6mmL = 560 mm	
23	10046047	pipe manifold flowmeter hydraulic mod. classe 7 c	COMPACT
	10046051	pipe manifold flowmeter 2gr hydraulic mod. classe	
	10046052	pipe manifold flowmeter 3gr hydraulic mod. classe	
	36404052	O-Ring 9,16 x 2,62 FPM 3037	
24	10042026	PIPE 6X4X368	
	36404052	O-Ring 9,16 x 2,62 FPM 3037	
25	81330111	Steam COCK Tap SX	
26	23000163	EXTENSION SECURITY VALVE	
27	10060518	Electrovalve Hot Water 230V	
28	34200288	Pressure sensor	
29	38123947	DRAIN TANK SECURITY VALVE	
30	38228003	Silicone hose D. 9 x 6mmL = 480 mm	
31	38123946	SECURITY VALVE TOP	



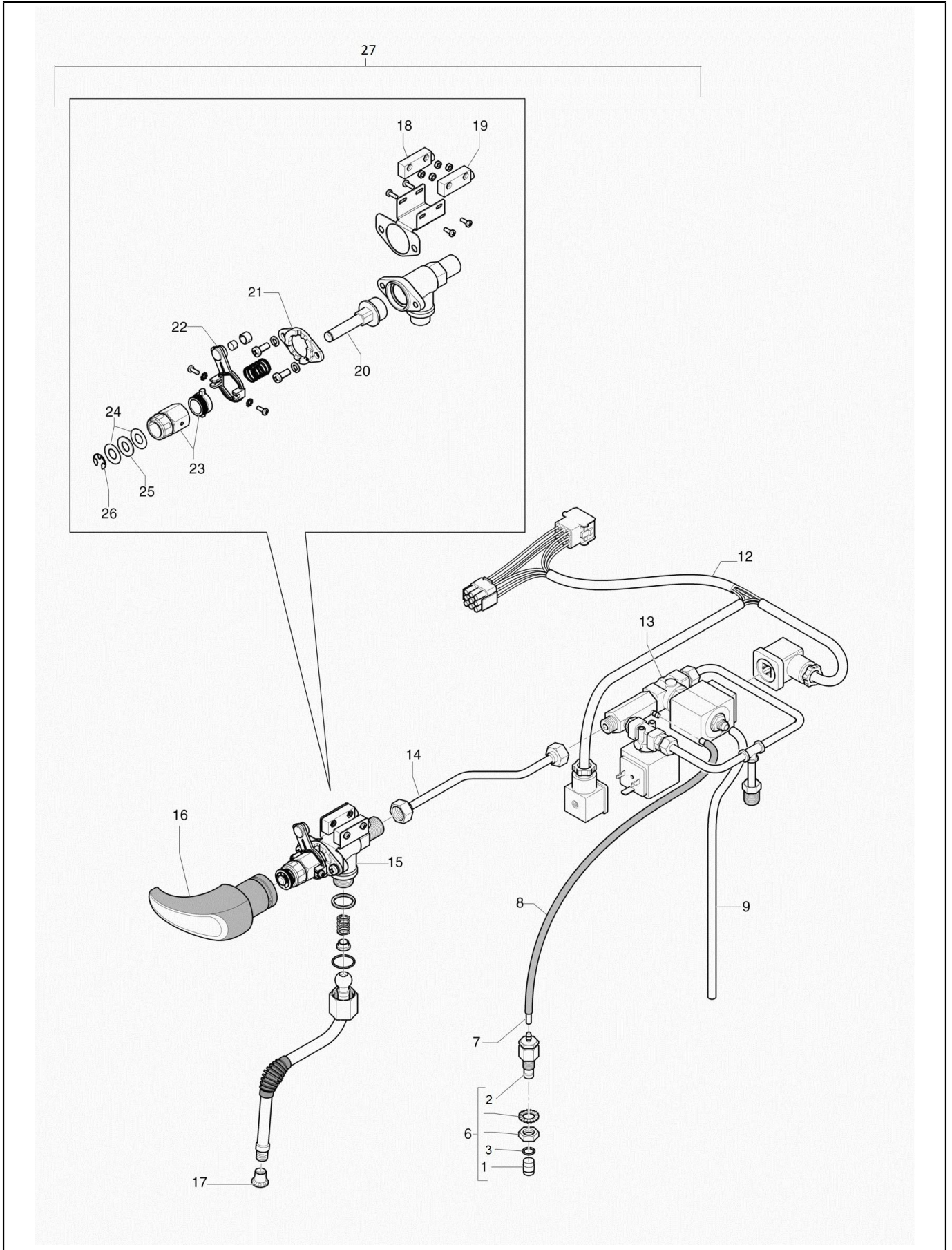
POS.	CODE	DESCRIPTION	NOTES
1	10060059	Antivacuum Valve	
2	10041042	Pipe 4 x 3 mmL = 600 mm	
3	10060525	SAFETY VALVE	
4	36930012	Gasket Resistance Teflon	
5	33311271	heating element 110v/2700w	
	33323001	heating element 230v/2500w	
	33323004	heating element capill. 230v/4300W	
	33323006	heating element+capillar 230v 6000w	
6	38123665	COVER HEATING ELEMENT	
7	37040821	Screw M 8X22	
8	10022320N	BOILER 2GR.	
	10022320T	CORPO CALD.SCF 2GR.	
	10022330N	BOILER 3GR PLATED	
	10022330T	CORPO CALD.SCF 3GR.	
	10022350N	boiler 2GR. COMP. EtI	
	10022350T	BOILER 2GR. COMP.	
9	10043007	BOILER DISCHARGE PIPE COMPL.	
10	69000730	flex pipe m3/8 1060 mm elbow	
	69000731	FLEX PIPE 3/8M-SN MM 830 ELBOW	
11	69000734	FLEX PIPE MM1800 WITH ELBOW+CHECK VALVE	
	69000735	FLEX PIPE MM2300 WITH ELBOW+CHECK VALVE	
12	10705960	KIT PUMPING ELEMENT	
	69000993	volumetric pump VM 200L/H "Rancilio"	
13	34011009	Motor 110 V CE / UL	
	34011102	VM MOTOR 230V	
	34020020	CONDENSER 8 MF RPM	
14	69000243	PIPE CAPILLARY MANOMETER F1/8-M1/8	
15	35002509	PUMP MANOMETER	
16	35002508	BOILER MANOMETER	
22	23125009	GROUP REDUCTION D3.5	
	23125021	RECSTRICION GROUP DIAM. 2 MM	
23	10044053	circulation pipe 10 x 8 f1/2-m1/2	
24	10044054	circulation pipe 10 x 8 f1/2-m1/2	



POS.	CODE	DESCRIPTION	NOTES
1	34030971	switch green light	
2	10705678	KEYBOARD COFFEE C7 E	
3	10110404	panel Wiring 1GR	
4	10110405	panel Wiring 2GR	
	10110486	panel Wiring E 3GR	
5	10700987	Kit Board E14	
6	10110375	ELECTRIC BOX 230V+FILTER EMC	
	34021004	FILTER EMC	
7	34200332	MINI-CONTACTOR 220-240v	
8	34150026	CLAMP 4 POSITION	
9	10110655	WIRING POWER	
10	34200097	SAVE- HEATING ELEMENT EGO MONOF.	
11	34300073	Cable	
	34300079	Power supply cable2N 380 - 415V	
12	34030116	NEON LAMP	
13	10110746	LIGHT WIRING 2GR	
	10110747	WIRING LIGHT 3GR	
14	10705685	LED GROUP	
15	10110499	Wiring Water P.BUTTON E	
16	10110773	wiring relay boiler overpressure classe 10 classe	
17	10705680	WATER SWITCH	



POS.	CODE	DESCRIPTION	NOTES
1	10706003	STEAM PIPE	CLASSE 7 / EPOCA / CLASSE 6
2	23212035	STEAM SPRAYER LG44 D1.5	
3	36404022	O-Ring 6,4 x 1,9 R5A	
4	10049056	STEAM PIPE BRASS	CLASSE 7 / EPOCA / CLASSE 6
5	36990004	Rubber for Steam PIPES	
7	36930017	Joint	
8	36930016	Gasket	
9	39110038	Spring	
10	36220009	Gasket Nut Note Teflon	
11	10060104	FAST STEAM COCK SX + A.V.VALVE	
12	10060181	HANDLE CLEVER	
13	10060106	EASY STEAM MILK TAP + A.V.VALVE	
16	10705180	KIT AV VALVE STEAM TAP	
19	36301105	Gasket for Nut steam Tap EPDM	
20	23000003	DISK BLOC NUT GR. CL 10/RE	
24	37510700	ELASTIC RING D.7	
25	36230001	Teflon Washer	
26	32239044	NEW Steam COCK Washer	
27	20112601	CAMS SX STEAM COCK	
	20112603	CAMS DX STEAM COCK	
28	23000047	COCK ROD BUSH	
29	36402003	O-Ring 9,25 x 1,78 VITON 75SH	
30	25132003	Spring GUIDE for NEW COCK	
31	39110035	Water-Steam COCK Spring	
32	10060002	ROD+Nut AND Steam COCK GASKET	
33	10060001	NUT+STEAM COCK GASKET	
34	27400001	Gasket Copper Compass RE Group	
35	10705014	STEAM COCK BODY+VALVE A.VV	
36	39110036	SPRING STEAM COCK	
37	25128014	STEAM WAND EXTENSION INOX	
	25128015	WATER WAND EXTENTION INOX	
39	10060005	NUT STEAM COCK	



POS.	CODE	DESCRIPTION	NOTES
1	23000092	Flow limiter D. 0,25 mm	
	23000093	Flow limiter D. 0,35 mm	
2	36230017	Duckbill	
3	36404013	O-Ring Silicone 2031	
6	10705320	AIR INPUT VALVE	
7	38228016	SILICON PIPE D5X3	
8	34209124	SHEATH PLAITED POLIESTER UL94	
9	38228002	Silicone hose D. 9 x 6mmL = 560 mm	
12	10110660	YOUSTEAM WIRING MC/E	
13	10705577	EV VENTURI SYSTEM	
	10705578	ASSY EV VENTURI 110V YOUSTEAM	
14	10043067	PIPE 8X6X210 F3/8-F3/8 2-3-4GR.	
15	10060108	STEAM TAP+REED YOUSTEAM	
16	10060187	YOUSTEAM HANDLE	
17	23000181T	C7 YOUSTEAM SPRAYER	
18	34020121	MAGNETIC SENSOR YOUSTEAM	
19	34020119	MAGNETIC SENSOR	
20	23000155	STEAM TAP BAR YOUSTEAM	
21	20112604	CAMME TAP YOUSTEAM	
22	38123929	SUPPORT WITH MAGNET	
23	10060007	ASSEMBLED STEAM TAP BUSH	
24	32239044	NEW Steam COCK Washer	
25	36230001	Teflon Washer	
26	37510700	ELASTIC RING D.7	
27	10700266	KIT YOUSTEAM C7/E 220v	
	10705190	KIT YOUSTEAM C7/E 110V	

Code	No. table	Pos.
10022320N	2003	8
10022320T	2003	8
10022330N	2003	8
10022330T	2003	8
10022350N	2003	8
10022350T	2003	8
10041042	2003	2
10042004	2000	18
10042006	2000	18
10042026	2000	24
10042207	2000	20
10042215	2000	15
10042215	2000	20
10042217	2000	20
10042218	2000	15
10042218	2000	20
10043007	2003	9
10043039	2000	11
10043039	2000	19
10043046	2000	4
10043067	4002	14
10044053	2003	23
10044054	2003	24
10046047	2000	23
10046051	2000	23
10046052	2000	23
10049056	2007	24
10049056	4000	4
10051173	2004	3
10051176	2004	3
10060001	2007	3
10060001	4000	33
10060002	2007	4
10060002	4000	32
10060005	4000	39
10060007	4002	23
10060021	2007	26
10060059	2000	2
10060059	2003	1
10060103	2007	21
10060104	4000	11
10060106	4000	13
10060108	4002	15
10060181	4000	12
10060183	2007	20
10060187	4002	16
10060518	2000	27
10060525	2000	3
10060525	2003	3
10060612	2004	24
10071100	2004	27
10071118	2004	18
10071137	2004	16
10090001	1003	8
10090002	2004	11
10110375	3000	6
10110402	2000	17
10110404	3000	3
10110405	3000	4
10110445	2000	17
10110486	3000	4
10110499	3000	15
10110655	3000	9
10110660	4002	12
10110746	1001	5
10110746	3000	13
10110747	1001	5

Code	No. table	Pos.
10110747	3000	13
10110773	3000	16
10700266	4002	27
10700276	1000	19
10700277	1000	19
10700279	1000	19
10700300	2000	14
10700323	2000	14
10700987	3000	5
10705014	4000	35
10705079	2006	1
10705091	2004	28
10705174	2006	9
10705180	2007	30
10705180	4000	16
10705190	4002	27
10705320	4002	6
10705469	1000	3
10705470	1000	5
10705535	2004	26
10705577	4002	13
10705578	4002	13
10705678	1001	2
10705678	1004	2
10705678	3000	2
10705680	1001	3
10705680	1004	3
10705680	3000	17
10705685	1001	4
10705685	3000	14
10705937	2000	14
10705938	2000	14
10705960	2003	12
10706003	2007	23
10706003	4000	1
10706044	2007	1
10781163	1003	7
20112011	2004	2
20112601	4000	27
20112603	4000	27
20112604	4002	21
20122653	2004	22
20200054	2004	25
20200182	2004	31
21100801	2004	17
21102601	2004	19
21300790	1000	12
23000003	2007	14
23000003	4000	20
23000042	1003	2
23000047	4000	28
23000092	4002	1
23000093	4002	1
23000155	4002	20
23000163	2000	26
23000181T	4002	17
23000227	2004	20
23000228	2007	8
23125009	2003	22
23125021	2003	22
23212033	2007	22
23212035	4000	2
23220029	2007	9
25105005	2004	15
25128014	2007	29
25128014	4000	37
25128015	4000	37

Code	No. table	Pos.
25132003	2007	6
25132003	4000	30
25135020	2006	2
25139001	2004	5
26220005	2006	8
26220005	2007	27
27120130	2000	5
27350001	2000	21
27400001	2007	2
27400001	4000	34
27400002	2004	23
32239044	2007	10
32239044	4000	26
32239044	4002	24
32331178	1000	15
32331663	1000	1
32331664	1000	1
32331665	1000	1
32331827	1000	8
32331828	1000	8
32331829	1000	8
32331832	1000	9
32331833	1000	9
32331834	1000	9
32331836	1000	20
32331837	1000	20
32331838	1000	20
32331840	1000	20
32331841	1000	20
32331844	1000	10
32331845	1000	10
32331846	1000	10
32331855	1001	1
32331855	1004	1
32331856	1001	1
32331857	1001	1
32331861	1000	2
32331862	1000	2
32331863	1000	2
32331865	1003	1
32331866	1003	1
32331867	1003	1
32331868	1003	5
32331869	1003	5
32331870	1003	5
33122002	1000	14
33122003	1000	14
33311271	2003	5
33323001	2003	5
33323004	2003	5
33323006	2003	5
34011009	2003	13
34011102	2003	13
34020020	2003	13
34020119	4002	19
34020121	4002	18
34021004	3000	6
34030110	1000	18
34030116	3000	12
34030971	3000	1
34040149	2004	10
34040150	2004	10
34070052	2000	16
34150026	3000	8
34200088	2000	1
34200097	3000	10
34200288	2000	28

Code	No. table	Pos.
34200332	3000	7
34209124	4002	8
34300073	3000	11
34300079	3000	11
35002508	2003	16
35002509	2003	15
36220009	2006	6
36220009	2007	15
36220009	4000	10
36230001	2007	11
36230001	4000	25
36230001	4002	25
36230017	4002	2
36301046	2004	4
36301105	2007	13
36301105	4000	19
36402003	2007	7
36402003	4000	29
36402005	2004	8
36404013	4002	3
36404022	4000	3
36404026	1003	3
36404052	2000	23
36404052	2000	24
36404052	2000	6
36901802	1000	7
36930012	2003	4
36930016	2006	4
36930016	2007	16
36930016	4000	8
36930017	2006	3
36930017	2007	18
36930017	4000	7
36990004	2007	25
36990004	4000	5
37030518	2004	7
37030523	1000	22
37040821	2003	7
37040830	2004	1
37060413	2004	9
37154212	1000	23
37175012	1000	24
37431600	2006	7
37431600	2007	28
37510700	2007	12
37510700	4000	24
37510700	4002	26
37521000	1003	6
37900808	1000	16
38123568	1000	13
38123665	2003	6
38123666	1000	11
38123929	4002	22
38123946	2000	31
38123947	2000	29
38123949	1000	4
38123950	1000	6
38123951	1003	9
38123952	1003	10
38123953	1000	17
38123953	1000	21
38123954	1000	7
38123955	1003	4
38228002	2000	22
38228002	4002	9
38228003	2000	30
38228016	4002	7

Code	No. table	Pos.
39110035	2007	5
39110035	4000	31
39110036	4000	36
39110038	2006	5
39110038	2007	17
39110038	4000	9
40100001	2004	13
40100010	2004	14
40200005	2004	6
69000243	2003	14
69000730	2000	6
69000730	2003	10
69000731	2000	6
69000731	2003	10
69000734	2003	11
69000735	2003	11
69000993	2003	12
69140006	2000	8
69140007	2000	9
69140008	2000	12
69140009	2000	10
69140010	2000	10
69140011	2000	10
69140012	2000	7
69140014	2000	13
69140015	2000	13
69140016	2000	9
69140017	2000	9
69140018	2000	9
69140019	2000	10
69140019	2000	7
81330111	2000	25



Headquarters, Production Plant and R&D Centers

Rancilio Group s.p.a.

Viale della Repubblica 40
20010 Villastanza di Parabiago
Milano - Italy
Tel +39 0331 408200
Fax +39 0331 551437
www.ranciliogroup.com
info@ranciliogroup.com

Egro Suisse AG

Bahnhofstrasse 66
5605 Dottikon, Switzerland
Tel. +41 (0)56 616 95 95
Fax +41 (0)56 616 95 97
www.egrocoffee.com
info@egrocoffee.com

Worldwide Branch Locations

SPAIN

RancilioGroup Espana, s.a.
Gran Via de Carlos III, 84 3ª
Edificio Trade
08028 Barcelona - Spain
Tel. +34 902 884 275
Tel. +34 934 923 414
Fax +34 934 965 701
www.ranciliogroup.com
info-es@ranciliogroup.com

PORTUGAL

Rancilio Group Portugal Lda
Estrada da Falagueira nº 68 E
2700-365 Amadora-Lisboa - Portugal
Tel. +351 21 019 10 91
Fax +351 21 019 10 91

Rua Nova do Seixo 1282
4465-706 Leça do Balio-Porto - Portugal
Tel. +351 22 010 14 19
Fax +351 22 010 14 19
www.ranciliogroup.com
info-pt@ranciliogroup.com

GERMANY

Rancilio Group Deutschland GmbH
Talstrasse 27
97990 Weikersheim - Germany
Ph. +49 7934 99 29 30
Fax +49 7934 99 29 330
www.ranciliogroup.de
info-de@ranciliogroup.com

SWITZERLAND

Egro Suisse AG
Bahnhofstrasse 66
5605 Dottikon - Switzerland
Tel. +41 (0)56 616 95 95
Fax +41 (0)56 616 95 97
www.egrosuisse.ch
info@egrosuisse.ch

USA/CANADA

Rancilio Group North America Inc.
1340 Internationale Parkway / Suite 200
Woodridge, IL 60517 - U.S.A.
Ph: +1 630 914 7900
Fax: +1 630 914 7901
Toll Free: +1 877 726 2454
www.ranciliogroup.com
info@ranciliogroupna.com

