



coffeeing the World

CLASSE 11 USB



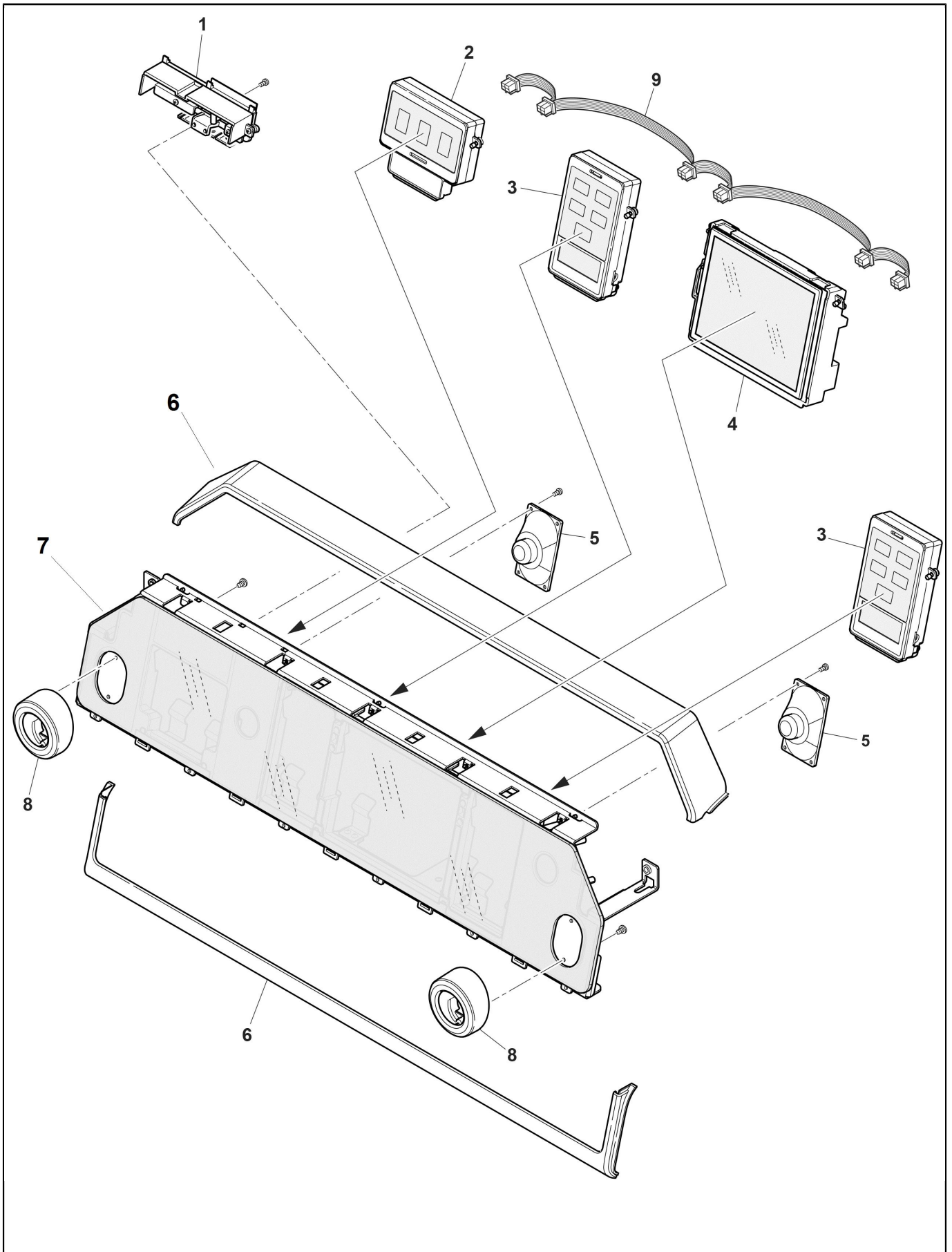
CLASSE 11



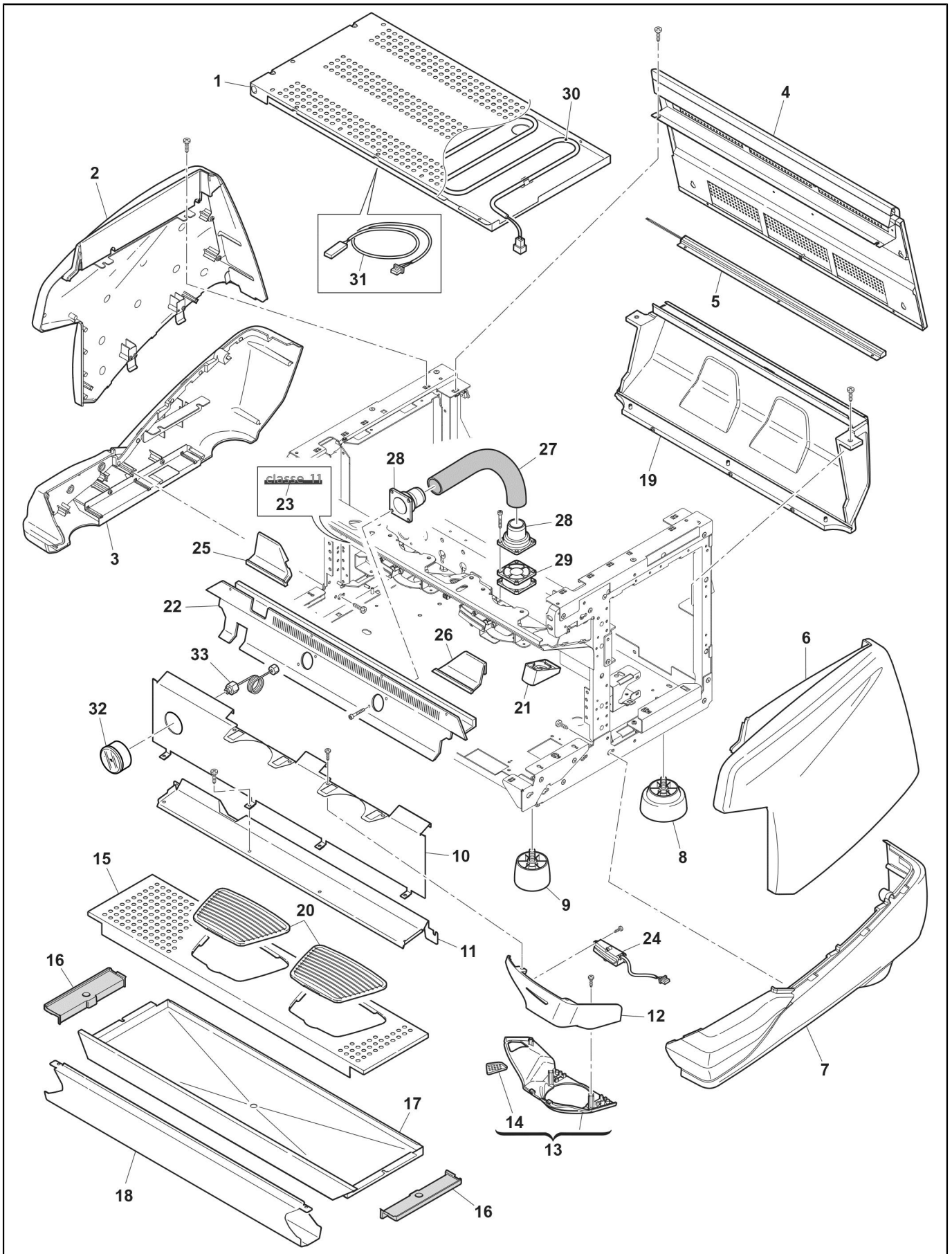
coffeeing the World

Index

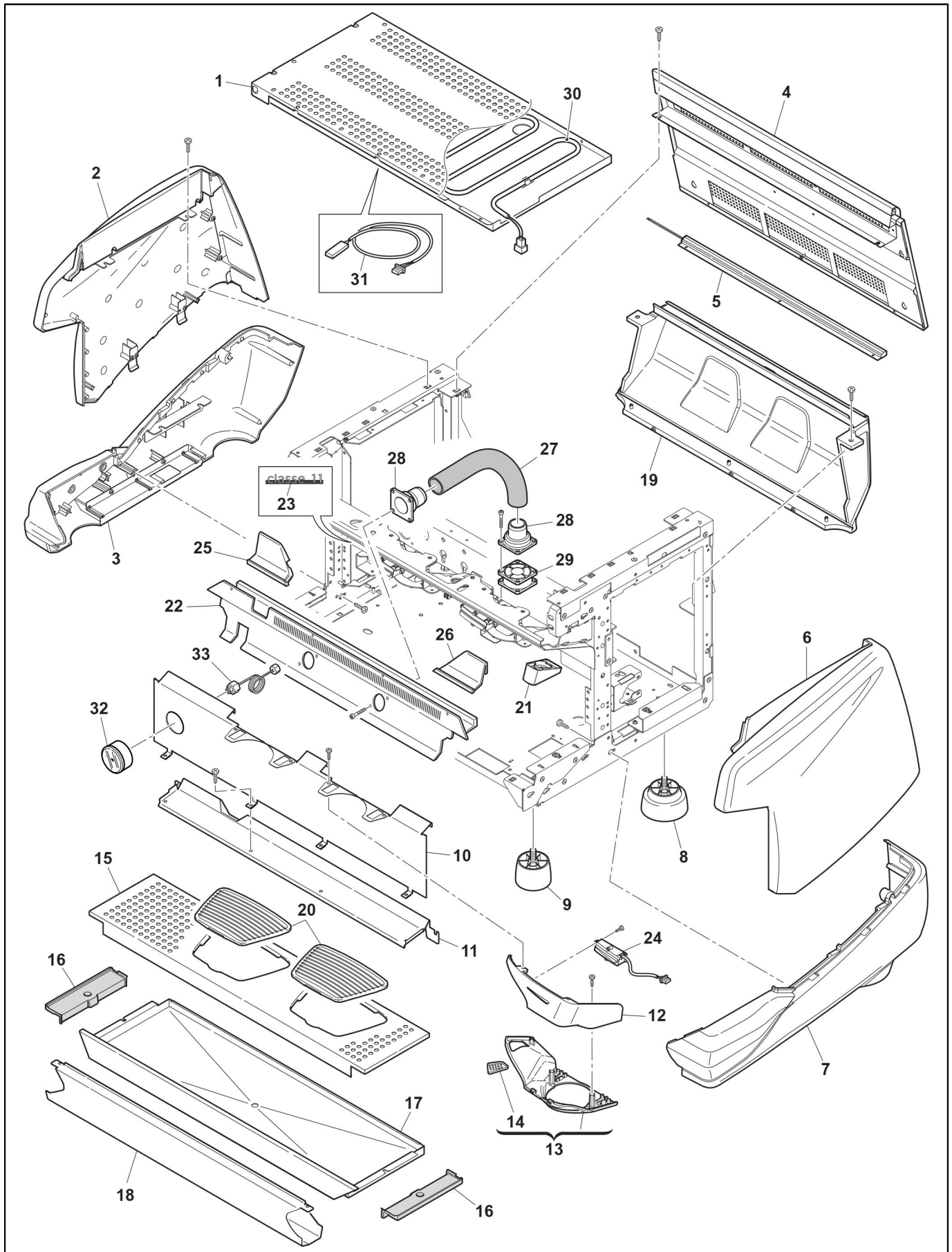
Table 1001 - CONTROL PANEL.....	4
Table 1000 - Body.....	6
Table 2000 - HYDRAULIC CIRCUIT USB.....	10
Table 2003 - BOILER/MOTOR PUMP.....	12
Table 2004 - BREWING GROUP 24V.....	14
Table 2007 - Water spout	16
Table 2008 - Clever Steam Tap	18
Table 3000 - ELECTRIC PART/ELECTRONIC USB/Xcelsius.....	20
Table 3004 - CPU Board Connections.....	22
Table 4000 - ISTEAM.....	24
Alphanumeric index.....	26



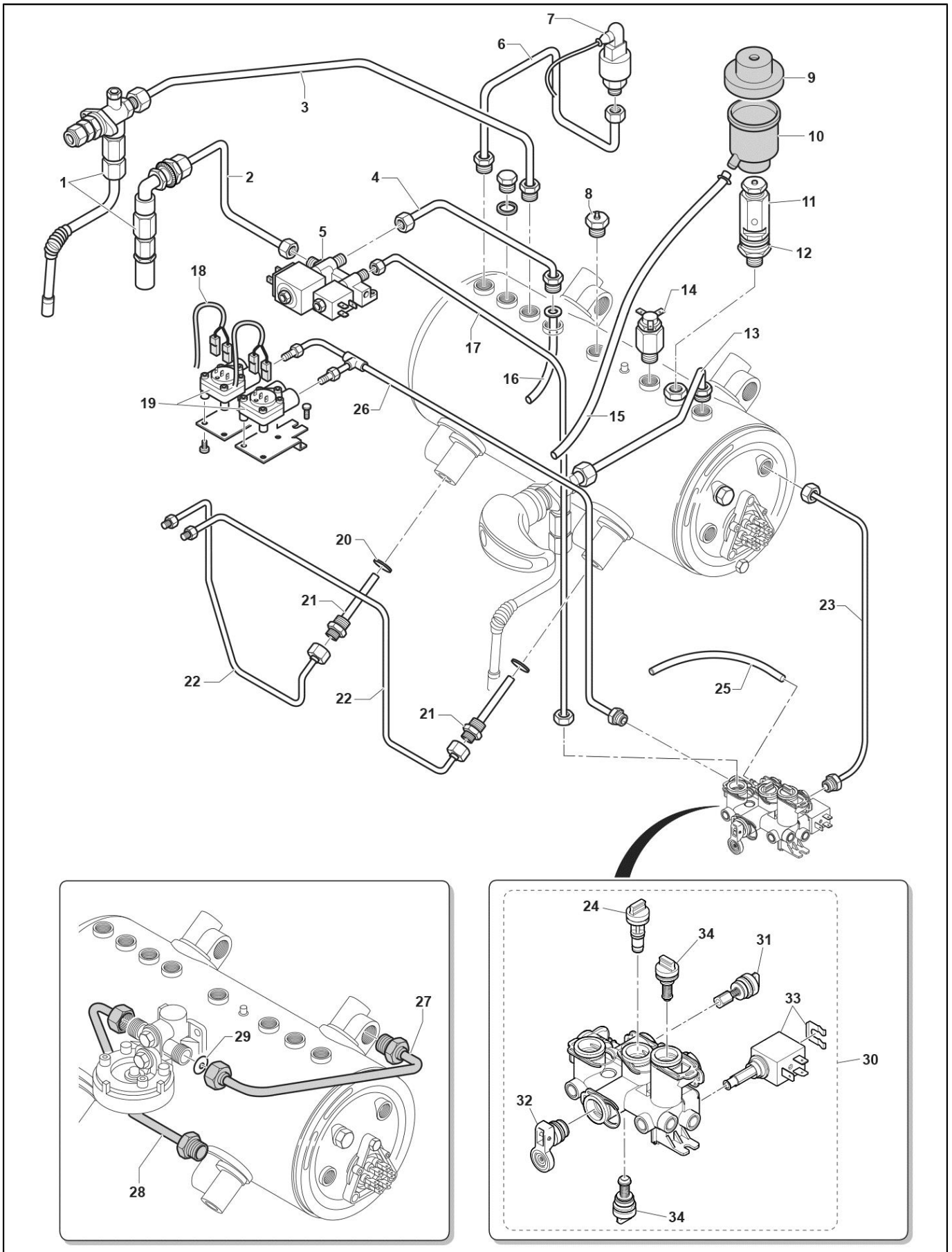
POS.	CODE	DESCRIPTION	NOTES
1	10701113	KIT USB-AUDIO MODULE	
2	10701390	KIT RICAMBIO TASTIERA SERVIZI TOUCH C11/17	
3	10701388	KIT RICAMBIO TASTIERA CAFFE' TOUCH C11/17	
4	10701120	KIT DISPLAY CLASSE 11	
	10701154	DISPLAY FAN CLASSE 11	
5	10701114	KIT AUDIO SPEAKERS 2GR.	
	10701115	KIT AUDIO SPEAKERS 3GR.	
	10701116	KIT AUDIO SPEAKERS 4GR.	
6	10701060	KIT FRAME CONTROL PANEL CLASSE 11 2GR	
	10701061	KIT FRAME CONTROL PANEL CLASSE 11 3GR	
	10701062	KIT FRAME CONTROL PANEL CLASSE 11 4GR	
7	10701073	GLASS, FRAME CONTROL PANEL CLASSE 11 XCELSIUS 2GR	
	10701074	GLASS, FRAME CONTROL PANEL CLASSE 11 XCELSIUS 3GR	
	10701075	GLASS, FRAME CONTROL PANEL CLASSE 11 XCELSIUS 4GR	
8	10701066	STEAM WAND FRAME CHROMED	
9	10701117	KIT WIRES MODULES 2GR.	
	10701118	KIT WIRES MODULES 3GR.	
	10701119	KIT WIRES MODULES 4GR.	



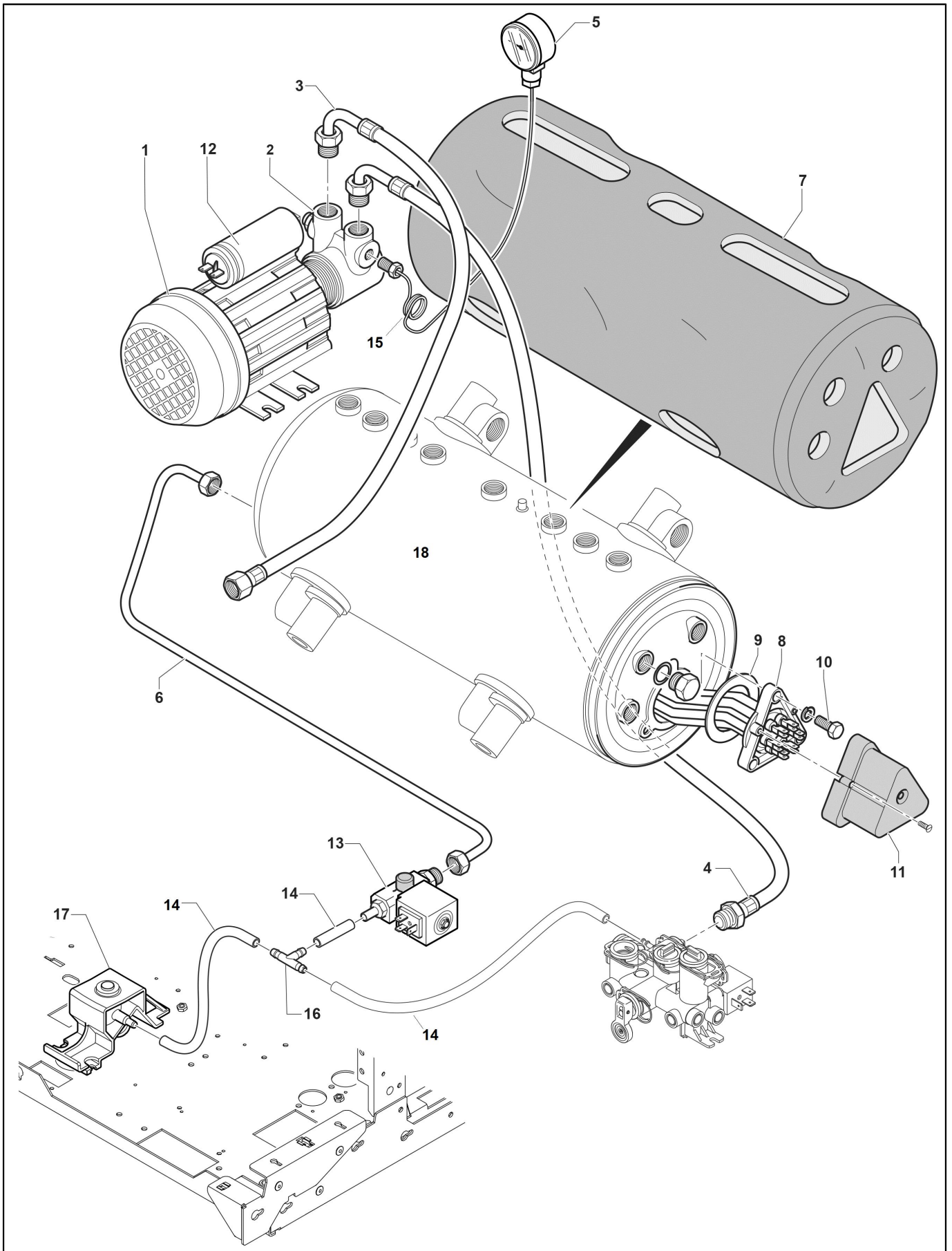
POS.	CODE	DESCRIPTION	NOTES
1	32331808	HEATING CUP WARMER CLASSE 11 2GR	
	32331809	HEATING CUP WARMER CLASSE 11 3GR	
	32331810	HEATING CUP WARMER CLASSE 11 4GR	
2	10705768A	LEFT SIDE PANEL CLASSE 11 BRONZE	
	10705768B	LEFT SIDE PANEL CLASSE 11 WHITE	
	10705768C	LEFT SIDE PANEL CLASSE 11 BLACK	
3	10705770A	LOWER SIDE PANEL LEFT CLASSE 11 BRONZE	
	10705770B	LOWER SIDE PANEL LEFT CLASSE 11 WHITE	
	10705770C	LOWER SIDE PANEL LEFT CLASSE 11 BLACK	
4	10705761	UPPER REAR PANEL CLASSE 11 2GR	
	10705762	UPPER REAR PANEL CLASSE 11 3GR	
	10705763	UPPER REAR PANEL CLASSE 11 4GR	
	42200123	RANCILIO PLATE MM.145	
5	10705658	REAR LED 2GR	USB version
	10705659	REAR LED 3GR	USB version
	10705660	REAR LED 4GR	USB version
	10705736	REAR LED 2GR XCELSIUS	Xcelsius Version
	10705737	REAR LED 3GR XCELSIUS	Xcelsius Version
	10705738	REAR LED 4GR XCELSIUS	Xcelsius Version
6	10705767A	RIGHT SIDE PANEL CLASSE 11 BRONZE	
	10705767B	RIGHT SIDE PANEL CLASSE 11 WHITE	
	10705767C	RIGHT SIDE PANEL CLASSE 11 BLACK	
7	10705769A	LOWER SIDE PANEL RIGHT CLASSE 11 BRONZE	
	10705769B	LOWER SIDE PANEL RIGHT CLASSE 11 WHITE	
	10705769C	LOWER SIDE PANEL RIGHT CLASSE 11 BLACK	
8	38120545	FOOT+RUBBER REAR SIDE CLASSE 11	
9	38123568	COFFEE MACHINE LEG	
10	32331975	FRONT PANEL CLASSE 11 2GR	
	32331976	FRONT PANEL CLASSE 11 3GR	
	32331977	FRONT PANEL CLASSE 11 4GR	
11	32331710	PROTECTION DRAIN TRAY	
	32331711	PROTECTION DRAYN TRAY 3GR	
	32331712	PROTECTION DRAYN TRAY 4GR	
12	21300770	UPPER GROUPOVER CLASSE 11 CHROMED	Bronze version
	21300770A	UPPER GROUPOVER CLASSE 11 BLACK	White/Black version
	21300772	UPPER GROUPOVER CLASSE 11 X CHROMED	Bronze Xcelsius version
	21300772A	UPPER GROUPOVER CLASSE 11 X BLACK	White/Black Xcelsius version
13	10701140	LOWER GROUP COVER WITH CAP	
14	38120548	CAP GROUPOVER CLASSE 11	
15	32331811	CUP GRATE CLASSE 11 2GR	
	32331812	CUP GRATE CLASSE 11 3GR	
	32331813	CUP GRATE CLASSE 11 4GR	
16	38120503	LATERAL GRATE SUPPORT C9	
17	32331814	DRAIN TRAY CLASSE 11 2GR	
	32331815	DRAIN TRAY CLASSE 11 3GR	
	32331816	DRAIN TRAY CLASSE 11 4GR	
18	32551214A	LOWER FRONT CLASSE 11 2GR BRONZE	
	32551214B	LOWER FRONT CLASSE 11 2GR WHITE	
	32551214C	LOWER FRONT CLASSE 11 2GR BLACK	
	32551215A	LOWER FRONT CLASSE 11 3GR BRONZE	
	32551215B	LOWER FRONT CLASSE 11 3GR WHITE	
	32551215C	LOWER FRONT CLASSE 11 3GR BLACK	
	32551216A	LOWER FRONT CLASSE 11 4GR BRONZE	
	32551216B	LOWER FRONT CLASSE 11 4GR WHITE	
32551216C	LOWER FRONT CLASSE 11 4GR BLACK		



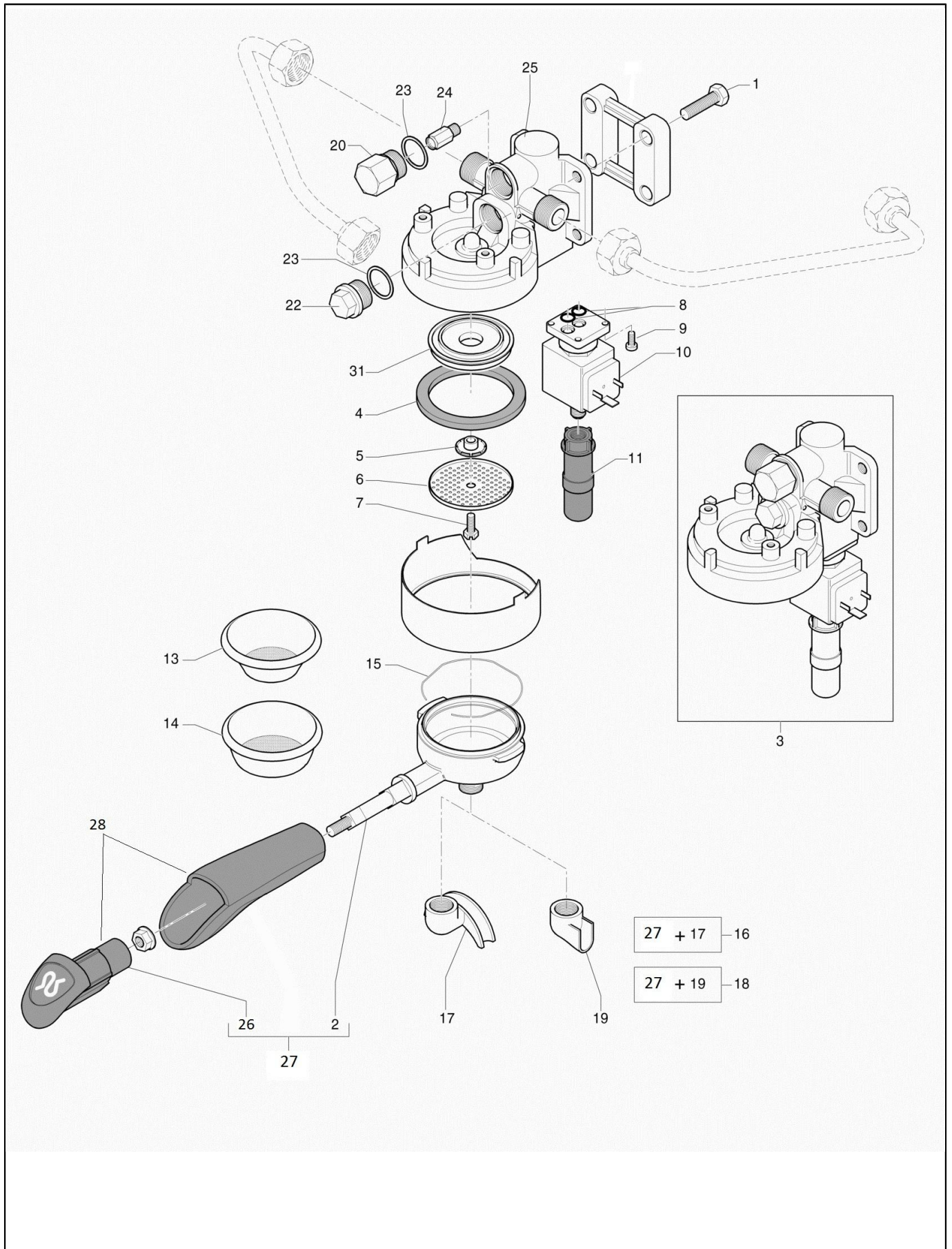
POS.	CODE	DESCRIPTION	NOTES
19	10705764A	LOWER REAR PANEL CLASSE 11 2GR BRONZE	
	10705764B	LOWER REAR PANEL CLASSE 11 2GR WHITE	
	10705764C	LOWER REAR PANEL CLASSE 11 2GR BLACK	
	10705765A	LOWER REAR PANEL CLASSE 11 3GR BRONZE	
	10705765B	LOWER REAR PANEL CLASSE 11 3GR WHITE	
	10705765C	LOWER REAR PANEL CLASSE 11 3GR BLACK	
	10705766A	LOWER REAR PANEL CLASSE 11 4GR BRONZE	
	10705766B	LOWER REAR PANEL CLASSE 11 4GR WHITE	
	10705766C	LOWER REAR PANEL CLASSE 11 4GR BLACK	
20	38123666	CUP TRAY MC/07	
21	21300771	CARTER STEAM WAND CLASSE 11 CHROMED	
	21300771A	STEAM WAND PROTECTION CLASSE 11 BLACK	
22	32551226	UPPER COVER CLASSE 11 2GR	
	32551227	UPPER COVER CLASSE 11 3GR	
	32551228	Upper cover Classe 11 4gr	
23	42200137	CLASSE 11 PLATE	
24	10705739	RGB LED GROUP CLASSE 11	
25	38120536	UPPER BRACKET LEFT	
26	38120535	UPPER BRACKET RIGHT	
27	36901803	SUCTION PIPE 29,6 X 25	21 CM
	36901806	FAN PIPE 1" X 25 EPDM	S/N 10214176 50cm
28	38120146	FUN ADAPTER POWDER MODULE	
29	10110469	AIR SUCTION FAN	
30	33122006	CUP HEATER ELEMENT 2GR	
	33122007	CUP HEATER ELEMENT 3GR	
	33122008	CUP HEATER ELEMENT 4GR	
31	34070232	TEMPERATURE SENSOR CUPWARMER CLASSE 11	
32	35002509	PUMP MANOMETER	
33	69000243	PIPE CAPILLARY MANOMETER F1/8-M1/8	



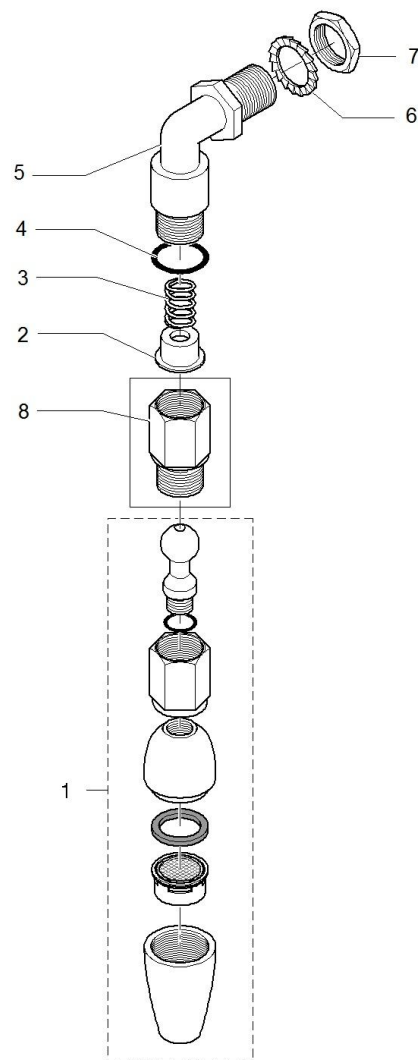
POS.	CODE	DESCRIPTION	NOTES
1	23000158	EXTENSION TAP	
2	10043031	PIPE 8X6X420 F3/8-FREE	3/4 gr
	10043036	PIPE 8X6X185	2 gr
3	10043028	PIPE 8 X 6 X MML = 420 MM F3/8-M3/8	
4	10043034	PIPE 8X6X210	
5	10705759	WATER MIXER 24V/2016	
	34049011	OPERATOR KIT 2/2 WAYS HOT WATER (T30)	
	34049012	OPERATOR KIT 2/2 WAYS COLD WATER (T22)	
6	10043076	PIPE 8 X 6 TRANSDUCER HUBA	
7	34200288	PRESSURE SENSOR	
8	10060061	EVO ANTIVACUUM SOLENOID	
9	38123946	SECURITY VALVE TOP	
10	38123947	DRAIN TANK SECURITY VALVE	
11	10060525	SAFETY VALVE	
12	23000359	SAFETY VALVE EXTENSION	
13	10043044	PIPE 8 X 6 X MML = 320 MM	
14	10060374	LEVEL PROBE CLASSE 11	
15	38228002	SILICONE HOSE D. 9 X 6MML = 560 MM	
16	27120130	HOT WATER SUCTION PIPE	
17	10042196	ECO TUBO MOD.IDR-ECONOM.2GR.C11	
18	10110402	FLOWMETER WIRING 1/2GR.	
	10110445	WIRING FAN 2-3-4 GR.	
19	34070060	FLOWMETER HORIZ. CONNECTION	
20	27350001	GASKET 3/8 X 1 COPPER GAS	
21	10042004	INJECTION PIPE 127	
	10042006	INJECTOR PIPE/14 L 175	
22	10042217	PIPE6X4X640	
	10042218	PIPE 6X4X410	
23	10042026	PIPE 6X4X368	
	36404052	O-RING 9,16 X 2,62 F 3037	
24	69140006	FILTER HYDRAULIC MODULE	
25	38228002	SILICONE HOSE D. 9 X 6MML = 560 MM	
26	10046030	PIPE MANIFOLD FLOWMETER 2GR HYDRAULIC MOD.	
	10046084	ECO TUBO COLLETT-VENTOL.3GR.	3/4 GR
	10046085	ECO TUBO COLLETT-VENTOL.4GR.	
27	10044053	CIRCULATION PIPE 10 X 8 F1/2-M1/2	
28	10044054	CIRCULATION PIPE 10 X 8 F1/2-M1/2	
29	23125009	GROUP RESTRICTION 3.5MM	
	23125017	GROUP REDUCTION D 4,5	
	23125021	GROUP RESTRICTION 2 MM	
30	10701244	HYDRO HUB 24V	
31	69140009	PRESSURE RELIEF VALVE HYDRAULIC MODULE	
	69140010	SPRING PRESSURE RELIEF VALVE HYDRAULIC MODULE	
	69140011	PLUNGER PRESSURE RELIEF VALVE HYDRAULIC MODULE	
	69140019	PRESSURE RELIEF VALVE CAP	
32	69140008	MANUAL TAP HYDRAULIC MODULE	
33	69140013	OPERATOR KIT 24V HYDRAULIC MODULE	
34	69140007	CHECK VALVE HYDRAULIC MODULE	
	69140016	CHECK VALVE CAP	
	69140017	CHECK VALVE PISTON	
	69140018	CHECK VALVE SPRING	



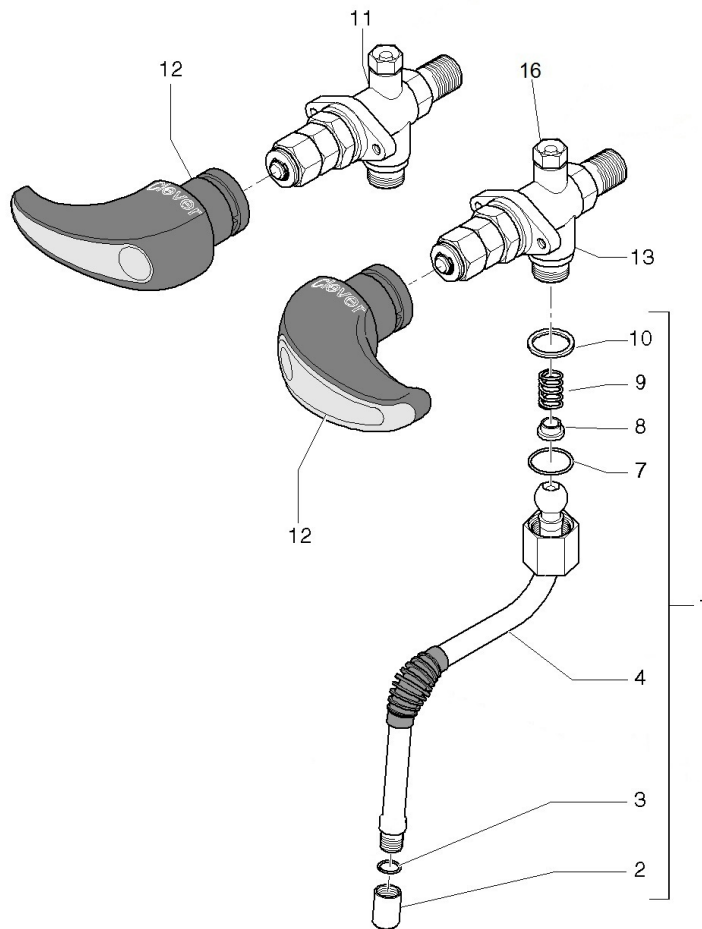
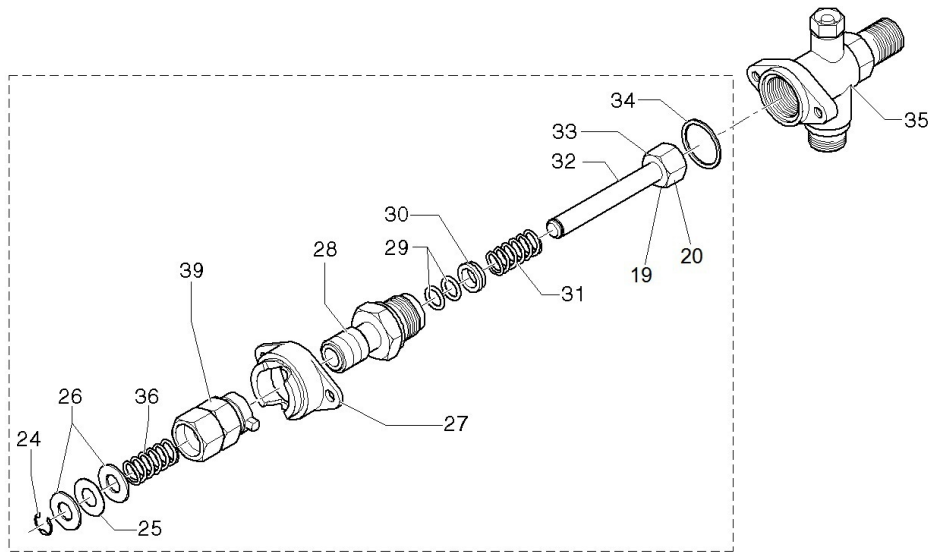
POS.	CODE	DESCRIPTION	NOTES
1	34011102	VM MOTOR 230V	
2	69000993	VOLUMETRIC PUMP VM 200L/H "RANCILIO";	
3	69000735	FLEX PIPE MM2300 WITH ELBOW+CHECK VALVE	
4	69000730	FLEX PIPE M3/8 1060 MM ELBOW	
	69000738	FLEX PIPE M3/8 1290 MM ELBOW	
5	35002509	PUMP MANOMETER	
6	10043113	DRAIN BOILER PIPE 2 GR.	
	10043114	DRAIN BOILER PIPE 3 GR.	
	10043115	DRAIN BOILER PIPE 4 GR.	
7	10701124	BOILER ISOLATION CLASSE 11 2GR	
	10701125	BOILER ISOLATION CLASSE 11 3GR	
	10701126	BOILER ISOLATION CLASSE 11 4GR	
8	33323004	HEATING ELEMENT CAPILL. 230V/4300W	
	33323006	HEATING ELEMENT+CAPILLAR 230V 6000W	
9	36930012	GASKET RESISTANCE TEFLON	
10	37040821	SCREW M 8X22	
11	38123665	COVER HEATING ELEMENT	
12	34020014	L6 CONDENSER VM V.220	
13	34040154	ELECTROVALVE DRAIN BOILER 24V	
14	38228002	SILICONE HOSE D. 9 X 6MML = 560 MM	
15	69000243	PIPE CAPILLARY MANOMETER F1/8-M1/8	
16	00049643	REDUCING T CONNECTORD. 6 MM	
17	38120511	DRAIN TRAIN CANALIZER	
18	10022340T	BOILER 4GR.	
	10701376	BOILER RETROFIT KIT 2GR	
	10701377	BOILER RETROFIT KIT 3GR	



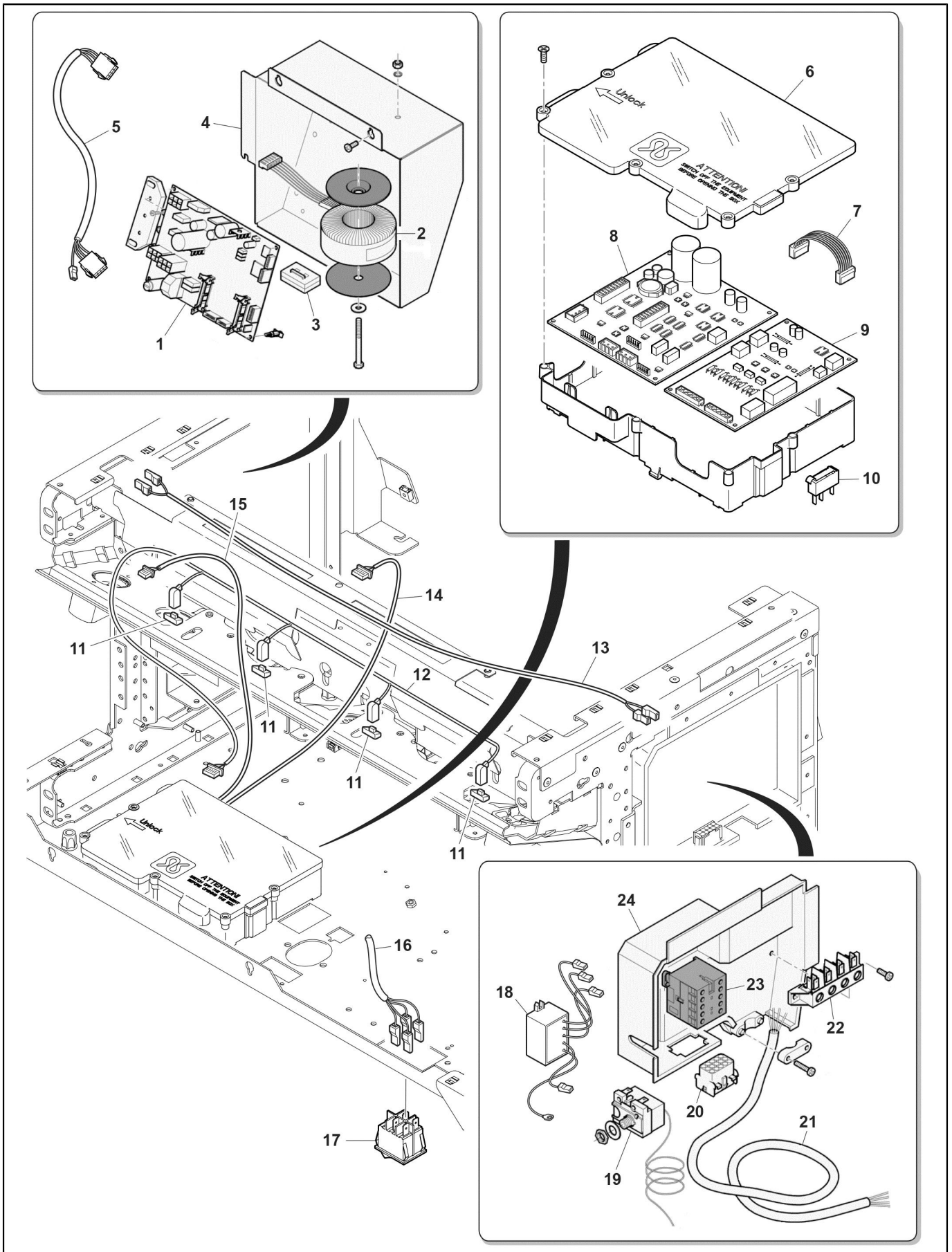
POS.	CODE	DESCRIPTION	NOTES
1	37040830	SCREW M 8X30	
2	20112011	FILTER-HOLDER	
3	10051213	GROUPHEAD CLASSE 10/SDE 24V	
4	36301046	GROUP GASKET PEROSSIDICA HP	
5	25139001	GROUP JETBREAKER	
6	40200005	SHOWER NET	
7	37030518	SHOWER SCREW	
8	36402005	O-RING ELECTROVALVE	
9	37060413	SCREW M 4 X 12	
10	34040151	ELECTROVALVE 3/2 WAYS 24V SIRAI	
11	10090002	THERM.GROUP JETBREAKER	
13	40100101	1 CUP CALIBRATED FILTER	
14	40100102	2 CUP CALIBRATED FILTER	
	40100103	DEEPER FILTER 2 CUP CALIBRATED	
15	25105005	FIX.FILTER SPRING	
16	10071137R	PORTAF.MC/09 2DOSI CONFEZIONATO	
17	21100801	2 CUP BEAK MC/09	
18	10071118R	PORTAF.MC/09 1DOSE CONFEZIONATO	
19	21102601	1 CUP BEAK MC/09	
20	23000227	GROUP JET CAP	
22	20122653	BREWING GROUP CAP	
23	27400002	BREWING CHAMBER TAP GASKET	
24	10060612	BREWING GROUP FLOW LIMITER ASSY.	
25	20200054	GROUP BODY	
26	10705535	FILTERHOLDER CAP WITH RING	
27	10071100	FILTERHOLDER NO BECK	
28	10705091	KIT FILTER HOLDER TAP 07	
31	20200182	SHOWER HOLDER BRASS	



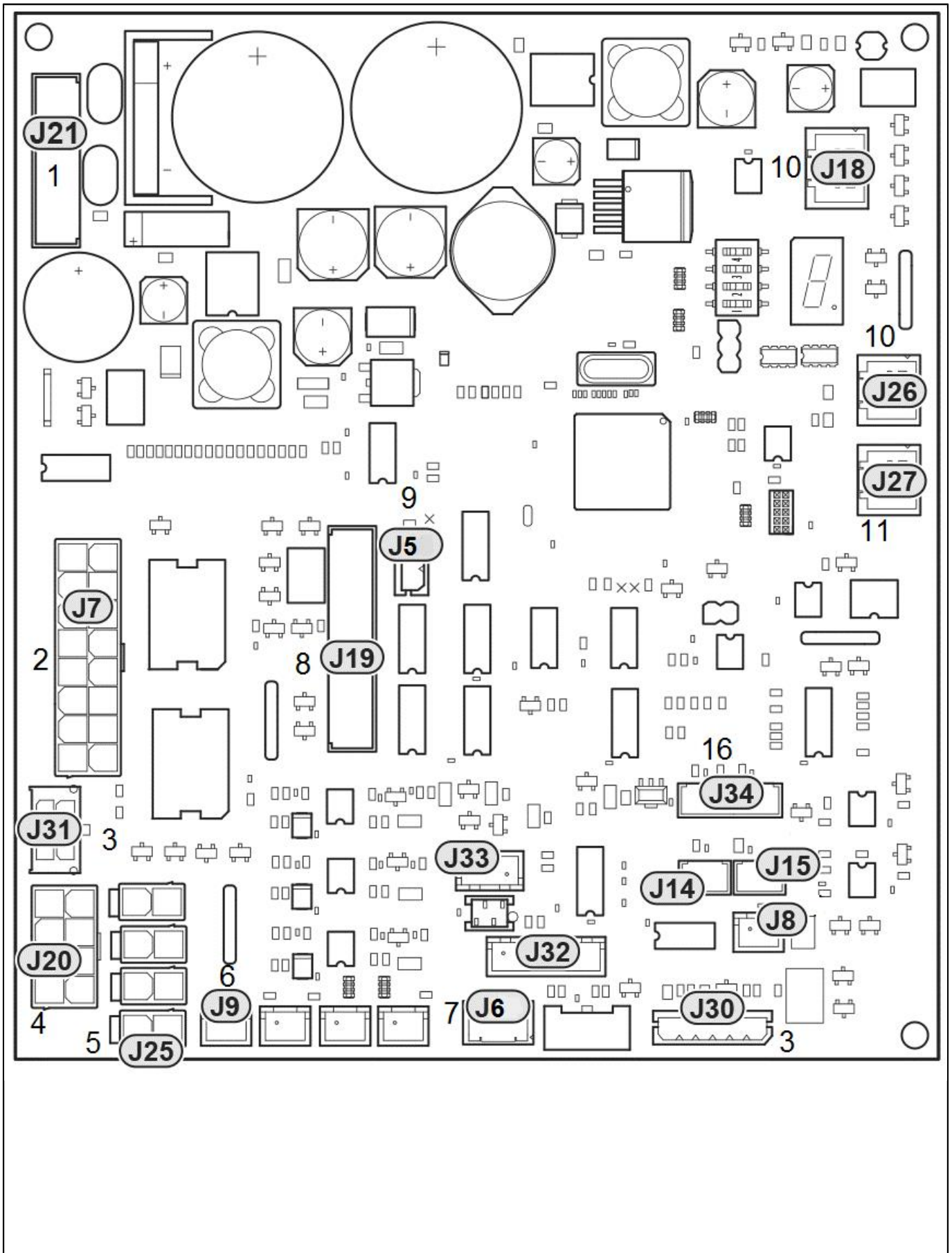
POS.	CODE	DESCRIPTION	NOTES
1	10049014	NOEPerl MIXING NOZZLE G 3/8	
2	36930016	GASKET	
3	39110038	SPRING	
4	36220009	GASKET NUT NOTE TEFLON	
5	20200113	HOT WATER CONNECTION BRASS	
6	37431600	OUTER TOOTHED WASHER D16	
7	26220005	FLAT NUT 3/8	
8	23000158	EXTENSION TAP	



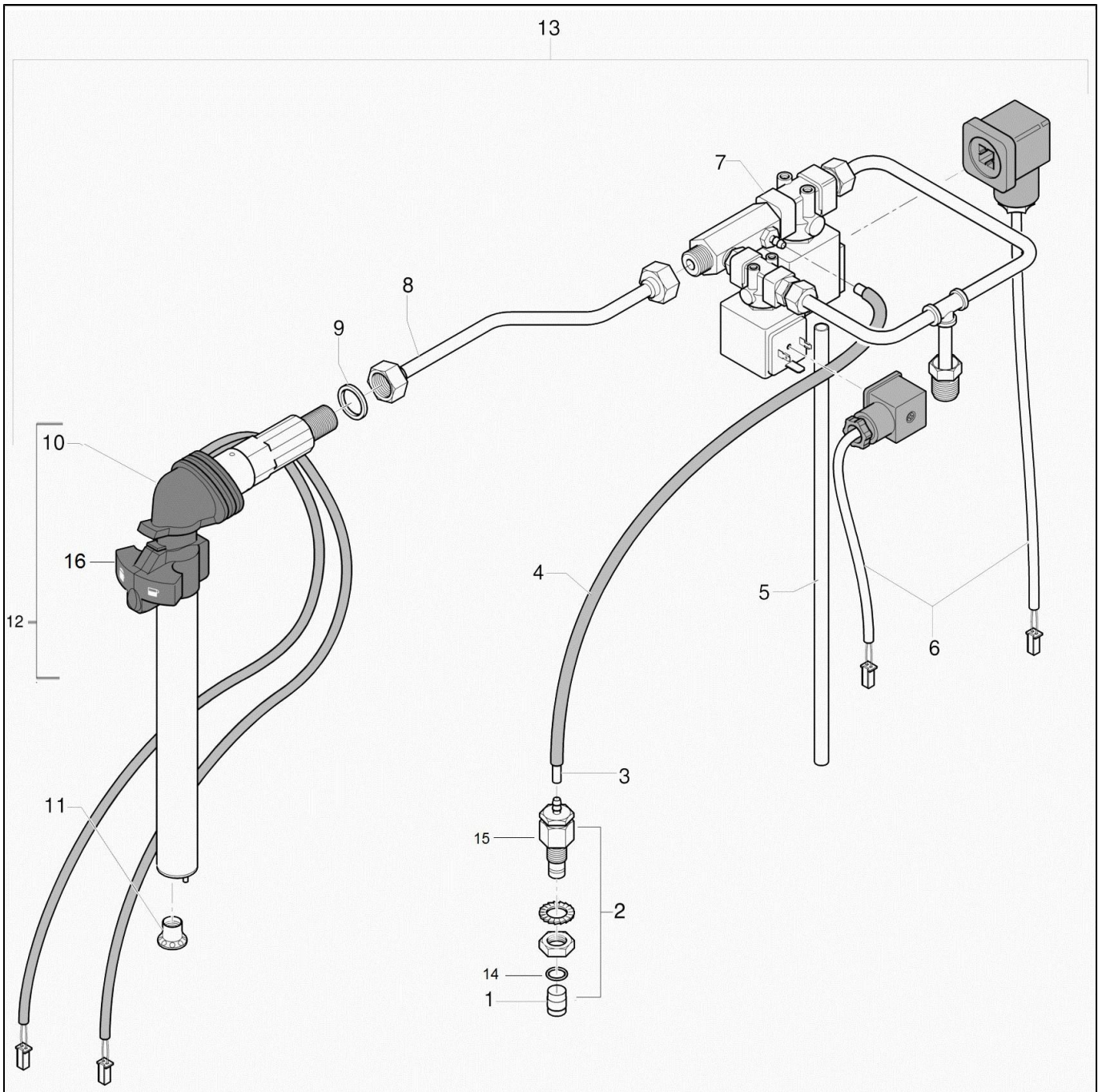
POS.	CODE	DESCRIPTION	NOTES
1	10701426	LANCIA COOLTOUCH/17	CLASSE 9
2	23000121	SPRAYER LG25 D1.1	
	25111006	STEAM NOZZLE	
3	36404022	O-RING 6,4 X 1,9 R5A	
4	10049127	LANCIA COOL TOUCH COMPLETA-C9-C11-ONE	
7	36930017	TEFLON GASKET FOR STEAM WAND NUT	
8	36930016	GASKET	
9	39110038	SPRING	
10	36220009	GASKET NUT NOTE TEFLON	
11	10060134	CLEVER/15 STEAM TAP LEFT	
	10060139	CLEVER STEAM TAP LEFT+A.V. VALVE	
12	10060181	HANDLE CLEVER	
13	10060135	CLEVER/15 STEAM TAP RIGHT	
	10060140	CLEVER STEAM TAP RIGHT+A.V. VALVE	
16	10705180	KIT AV VALVE STEAM TAP	
27	10701239	KIT CLEVER/15 CAMS PEEK RIGHT	
	10701240	KIT CLEVER/15 CAMS PEEK LEFT	
35	10705014	STEAM COCK BODY+VALVE A.VV	
39	10701239	KIT CLEVER/15 CAMS PEEK RIGHT	
	10701240	KIT CLEVER/15 CAMS PEEK LEFT	



POS.	CODE	DESCRIPTION	NOTES
1	10700985	KIT POWER BOARD SDE12	
2	34200269	TRANSFORMER 140va	
3			
4	10110390	POWER BOX SDE12	
5	10110795	POWER BOARD WIRING CLASSE 11	
6	38120538	CONTROL BOARD BOX COVER CLASSE 11	
7	10110273	CONNECTION XCELSIUS BOARD	
8	10701122	KIT MAINBOARD CLASSE 11	
9	10701121	KIT XCELSIUS MAINBOARD CLASSE 11	
10	34100022	MICRO ELECTRONIC BOX CLASSE 11	
11	10705683	LED GROUPS	
12	10110805	LIGHT WIRING CLASSE 11 2GR	
	10110806	LIGHT WIRING CLASSE 11 3GR	
	10110807	LIGHT WIRING CLASSE 11 4GR	
13	10110772	WIRING RELAY BOILER OVERPRESSURE	
14	10110810	DISPLAY WIRING CLASSE 11	
15	10110811	CAN BUS WIRING SERVICE KEYBOARD CLASSE 11	
16	10110792	POWER WIRING 2GR CLASSE 11	
	10110793	POWER WIRING 3GR CLASSE 11	
	10110794	POWER WIRING 4GR CLASSE 11	
17	34030077	MAIN SWITCH	
18	34021011	EMC FILTER CLASSE 11	
19	34200097	SAVE- HEATING ELEMENT EGO MONOF.	
20	10110655	WIRING POWER	
21	34300073	CABLE	
	34300079	POWER SUPPLY CABLE2N 380 - 415V	
22	34150026	CLAMP 4 POSITION	
23	34200332	MINI-CONTACTOR 220-240V	
24	10110375	ELECTRIC BOX 230V+FILTER EMC	



POS.	CODE	DESCRIPTION	NOTES
1	10110795	POWER BOARD WIRING CLASSE 11	
2	10110796	ELECTROVALVE WIRING CLASSE 11 2 GR	
	10110797	ELECTROVALVE WIRING CLASSE 11 3 GR	
	10110798	ELECTROVALVE WIRING CLASSE 11 4 GR	
3	10110808	ISTEAM WIRING CLASSE 11	
4	10110802	SERVICE KEYBOARD WIRING CLASSE 11 2GR	
	10110803	SERVICE KEYBOARD WIRING CLASSE 11 3GR	
	10110804	SERVICE KEYBOARD WIRING CLASSE 11 4GR	
5			
6	34100022	MICRO ELECTRONIC BOX CLASSE 11	
7	10110799	LEVEL SENSOR CABLE 2GR	
	10110800	LEVEL SENSOR CABLE 3GR	
	10110801	LEVEL SENSOR CABLE 4GR	
8	10110805	LIGHT WIRING CLASSE 11 2GR	
	10110806	LIGHT WIRING CLASSE 11 3GR	
	10110807	LIGHT WIRING CLASSE 11 4GR	
9	10110813	WIRING REAR LIGHT CLASSE 11	
10	10110810	DISPLAY WIRING CLASSE 11	
11	10110811	CAN BUS WIRING SERVICE KEYBOARD CLASSE 11	
16	10110854	CABLE CUP WARMER SENSOR 2GR CLASSE 11	
	10110855	CABLE CUP WARMER SENSOR 3GR CLASSE 11	
	10110856	CABLE CUP WARMER SENSOR 4GR CLASSE 11	



POS.	CODE	DESCRIPTION	NOTES
1	23000092	FLOW LIMITER D. 0,25 MM	
	23000093	FLOW LIMITER D. 0,35 MM	
	23000192	JET ISTEAM YOUSTEAM D. 0,15	
2	10705320	AIR INPUT VALVE	
	32331854	AIR VALVE BRACKET ISTEAM CLASSE 11	
3	38228016	SILICON PIPE D5X3	
4	34209124	SHEATH PLAITED POLIESTER UL94	
5	38228002	SILICONE HOSE D. 9 X 6MML = 560 MM	
6	10110808	ISTEAM WIRING CLASSE 11	
7	10705575	ASSEMBLY ELETTR. -VENTURI ISTEAM	
8	10043067	PIPE 8X6X210 F3/8-F3/8 2-3-4GR.	
9	23000091	DISTANCE STEAM TAP BODY ISTEAM	
10	36990017	STEAM SHROUD ISTEAM	
11	23000098T	ISTEAM SPRAYER	
12	10705350	KIT ISTEAM LONG	250mm
13	10701103	RETROFIT KIT ISTEAM CLASSE 11	
14	36404013	O-RING SILICONE 2031	
15	36230017	DUCKBILL	

Code	No. table	Pos.
	3000	3
	3004	5
00049643	2003	16
10022340T	2003	18
10042004	2000	21
10042006	2000	21
10042026	2000	23
10042196	2000	17
10042217	2000	22
10042218	2000	22
10043028	2000	3
10043031	2000	2
10043034	2000	4
10043036	2000	2
10043044	2000	13
10043067	4000	8
10043076	2000	6
10043113	2003	6
10043114	2003	6
10043115	2003	6
10044053	2000	27
10044054	2000	28
10046030	2000	26
10046084	2000	26
10046085	2000	26
10049014	2007	1
10049127	2008	4
10051213	2004	3
10060061	2000	8
10060134	2008	11
10060135	2008	13
10060139	2008	11
10060140	2008	13
10060181	2008	12
10060374	2000	14
10060525	2000	11
10060612	2004	24
10071100	2004	27
10071118R	2004	18
10071137R	2004	16
10090002	2004	11
10110273	3000	7
10110375	3000	24
10110390	3000	4
10110402	2000	18
10110445	2000	18
10110469	1000	29
10110655	3000	20
10110772	3000	13
10110792	3000	16
10110793	3000	16
10110794	3000	16
10110795	3000	5
10110795	3004	1
10110796	3004	2
10110797	3004	2
10110798	3004	2
10110799	3004	7
10110800	3004	7
10110801	3004	7
10110802	3004	4
10110803	3004	4
10110804	3004	4
10110805	3000	12
10110805	3004	8
10110806	3000	12
10110806	3004	8

Code	No. table	Pos.
10110807	3000	12
10110807	3004	8
10110808	3004	3
10110808	4000	6
10110810	3000	14
10110810	3004	10
10110811	3000	15
10110811	3004	11
10110813	3004	9
10110854	3004	16
10110855	3004	16
10110856	3004	16
10700985	3000	1
10701060	1001	6
10701061	1001	6
10701062	1001	6
10701066	1001	8
10701073	1001	7
10701074	1001	7
10701075	1001	7
10701103	4000	13
10701113	1001	1
10701114	1001	5
10701115	1001	5
10701116	1001	5
10701117	1001	9
10701118	1001	9
10701119	1001	9
10701120	1001	4
10701121	3000	9
10701122	3000	8
10701124	2003	7
10701125	2003	7
10701126	2003	7
10701140	1000	13
10701154	1001	4
10701239	2008	27
10701239	2008	39
10701240	2008	27
10701240	2008	39
10701244	2000	30
10701376	2003	18
10701377	2003	18
10701388	1001	3
10701390	1001	2
10701426	2008	1
10705014	2008	35
10705091	2004	28
10705180	2008	16
10705320	4000	2
10705350	4000	12
10705535	2004	26
10705575	4000	7
10705658	1000	5
10705659	1000	5
10705660	1000	5
10705683	3000	11
10705736	1000	5
10705737	1000	5
10705738	1000	5
10705739	1000	24
10705759	2000	5
10705761	1000	4
10705762	1000	4
10705763	1000	4
10705764A	1000	19
10705764B	1000	19

Code	No. table	Pos.
10705764C	1000	19
10705765A	1000	19
10705765B	1000	19
10705765C	1000	19
10705766A	1000	19
10705766B	1000	19
10705766C	1000	19
10705767A	1000	6
10705767B	1000	6
10705767C	1000	6
10705768A	1000	2
10705768B	1000	2
10705768C	1000	2
10705769A	1000	7
10705769B	1000	7
10705769C	1000	7
10705770A	1000	3
10705770B	1000	3
10705770C	1000	3
20112011	2004	2
20122653	2004	22
20200054	2004	25
20200113	2007	5
20200182	2004	31
21100801	2004	17
21102601	2004	19
21300770	1000	12
21300770A	1000	12
21300771	1000	21
21300771A	1000	21
21300772	1000	12
21300772A	1000	12
23000091	4000	9
23000092	4000	1
23000093	4000	1
23000098T	4000	11
23000121	2008	2
23000158	2000	1
23000158	2007	8
23000192	4000	1
23000227	2004	20
23000359	2000	12
23125009	2000	29
23125017	2000	29
23125021	2000	29
25105005	2004	15
25111006	2008	2
25139001	2004	5
26220005	2007	7
27120130	2000	16
27350001	2000	20
27400002	2004	23
32331710	1000	11
32331711	1000	11
32331712	1000	11
32331808	1000	1
32331809	1000	1
32331810	1000	1
32331811	1000	15
32331812	1000	15
32331813	1000	15
32331814	1000	17
32331815	1000	17
32331816	1000	17
32331854	4000	2
32331975	1000	10
32331976	1000	10

Code	No. table	Pos.
32331977	1000	10
32551214A	1000	18
32551214B	1000	18
32551214C	1000	18
32551215A	1000	18
32551215B	1000	18
32551215C	1000	18
32551216A	1000	18
32551216B	1000	18
32551216C	1000	18
32551226	1000	22
32551227	1000	22
32551228	1000	22
33122006	1000	30
33122007	1000	30
33122008	1000	30
33323004	2003	8
33323006	2003	8
34011102	2003	1
34020014	2003	12
34021011	3000	18
34030077	3000	17
34040151	2004	10
34040154	2003	13
34049011	2000	5
34049012	2000	5
34070060	2000	19
34070232	1000	31
34100022	3000	10
34100022	3004	6
34150026	3000	22
34200097	3000	19
34200269	3000	2
34200288	2000	7
34200332	3000	23
34209124	4000	4
34300073	3000	21
34300079	3000	21
35002509	1000	32
35002509	2003	5
36220009	2007	4
36220009	2008	10
36230017	4000	15
36301046	2004	4
36402005	2004	8
36404013	4000	14
36404022	2008	3
36404052	2000	23
36901803	1000	27
36901806	1000	27
36930012	2003	9
36930016	2007	2
36930016	2008	8
36930017	2008	7
36990017	4000	10
37030518	2004	7
37040821	2003	10
37040830	2004	1
37060413	2004	9
37431600	2007	6
38120146	1000	28
38120503	1000	16
38120511	2003	17
38120535	1000	26
38120536	1000	25
38120538	3000	6
38120545	1000	8

Code	No. table	Pos.
38120548	1000	14
38123568	1000	9
38123665	2003	11
38123666	1000	20
38123946	2000	9
38123947	2000	10
38228002	2000	15
38228002	2000	25
38228002	2003	14
38228002	4000	5
38228016	4000	3
39110038	2007	3
39110038	2008	9
40100101	2004	13
40100102	2004	14
40100103	2004	14
40200005	2004	6
42200123	1000	4
42200137	1000	23
69000243	1000	33
69000243	2003	15
69000730	2003	4
69000735	2003	3
69000738	2003	4
69000993	2003	2
69140006	2000	24
69140007	2000	34
69140008	2000	32
69140009	2000	31
69140010	2000	31
69140011	2000	31
69140013	2000	33
69140016	2000	34
69140017	2000	34
69140018	2000	34
69140019	2000	31



Headquarters, Production Plant and R&D Centers

Rancilio Group s.p.a.

Viale della Repubblica 40
20010 Villastanza di Parabiago
Milano - Italy
Tel +39 0331 408200
Fax +39 0331 551437
www.ranciliogroup.com
info@ranciliogroup.com

Egro Suisse AG

Bahnhofstrasse 66
5605 Dottikon, Switzerland
Tel. +41 (0)56 616 95 95
Fax +41 (0)56 616 95 97
www.egrocoffee.com
info@egrocoffee.com

Worldwide Branch Locations

SPAIN

RancilioGroup Espana, s.a.
Gran Via de Carlos III, 84 3ª
Edificio Trade
08028 Barcelona - Spain
Tel. +34 902 884 275
Tel. +34 934 923 414
Fax +34 934 965 701
www.ranciliogroup.com
info-es@ranciliogroup.com

PORTUGAL

Rancilio Group Portugal Lda
Estrada da Falagueira nº 68 E
2700-365 Amadora-Lisboa - Portugal
Tel. +351 21 019 10 91
Fax +351 21 019 10 91

Rua Nova do Seixo 1282
4465-706 Leça do Balio-Porto - Portugal
Tel. +351 22 010 14 19
Fax +351 22 010 14 19
www.ranciliogroup.com
info-pt@ranciliogroup.com

GERMANY

Rancilio Group Deutschland GmbH
Talstrasse 27
97990 Weikersheim - Germany
Ph. +49 7934 99 29 30
Fax +49 7934 99 29 330
www.ranciliogroup.de
info-de@ranciliogroup.com

SWITZERLAND

Egro Suisse AG
Bahnhofstrasse 66
5605 Dottikon - Switzerland
Tel. +41 (0)56 616 95 95
Fax +41 (0)56 616 95 97
www.egrosuisse.ch
info@egrosuisse.ch

USA/CANADA

Rancilio Group North America Inc.
1340 Internationale Parkway / Suite 200
Woodridge, IL 60517 - U.S.A.
Ph: +1 630 914 7900
Fax: +1 630 914 7901
Toll Free: +1 877 726 2454
www.ranciliogroup.com
info@ranciliogroupna.com

