

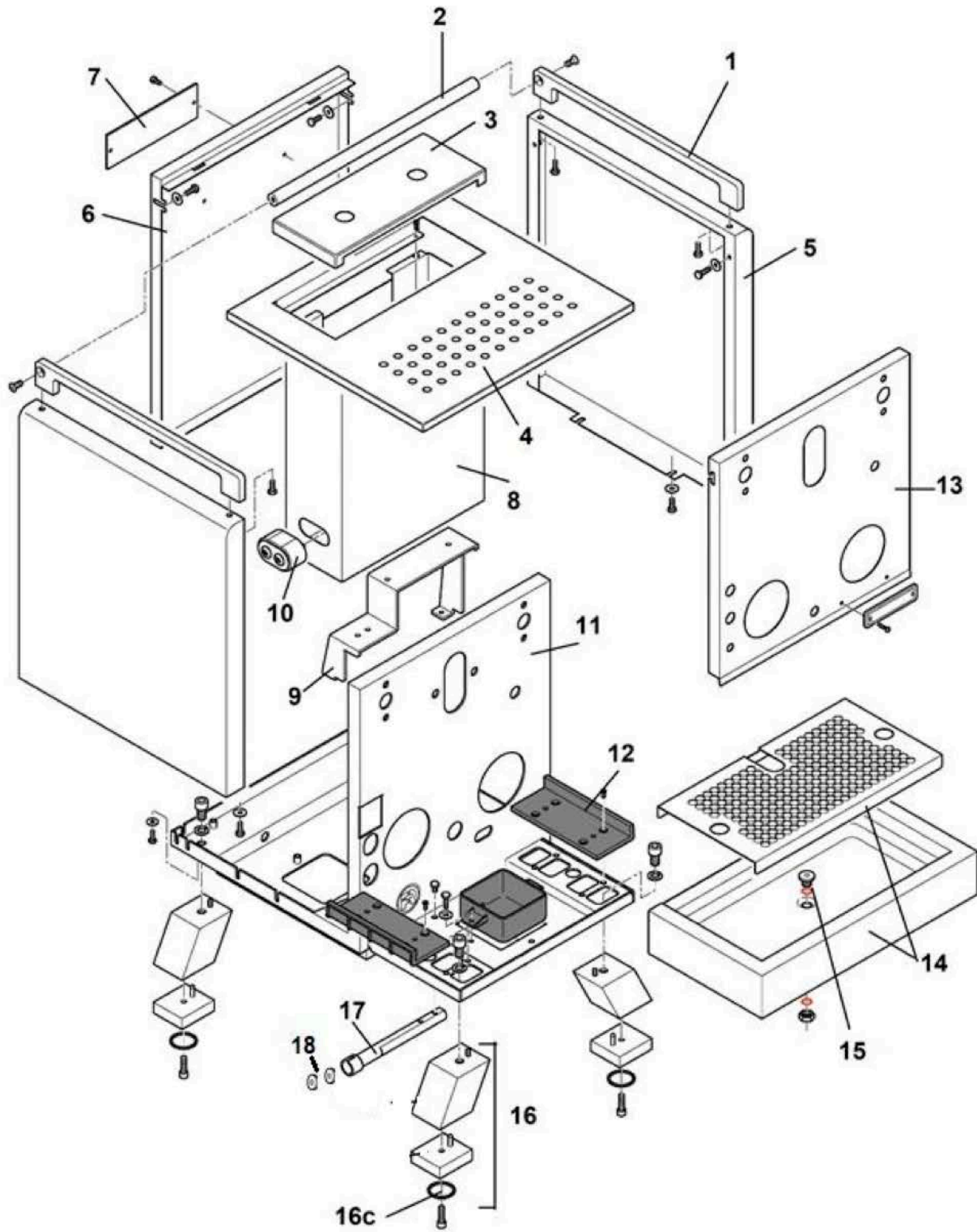


R CINQUANTOTTO

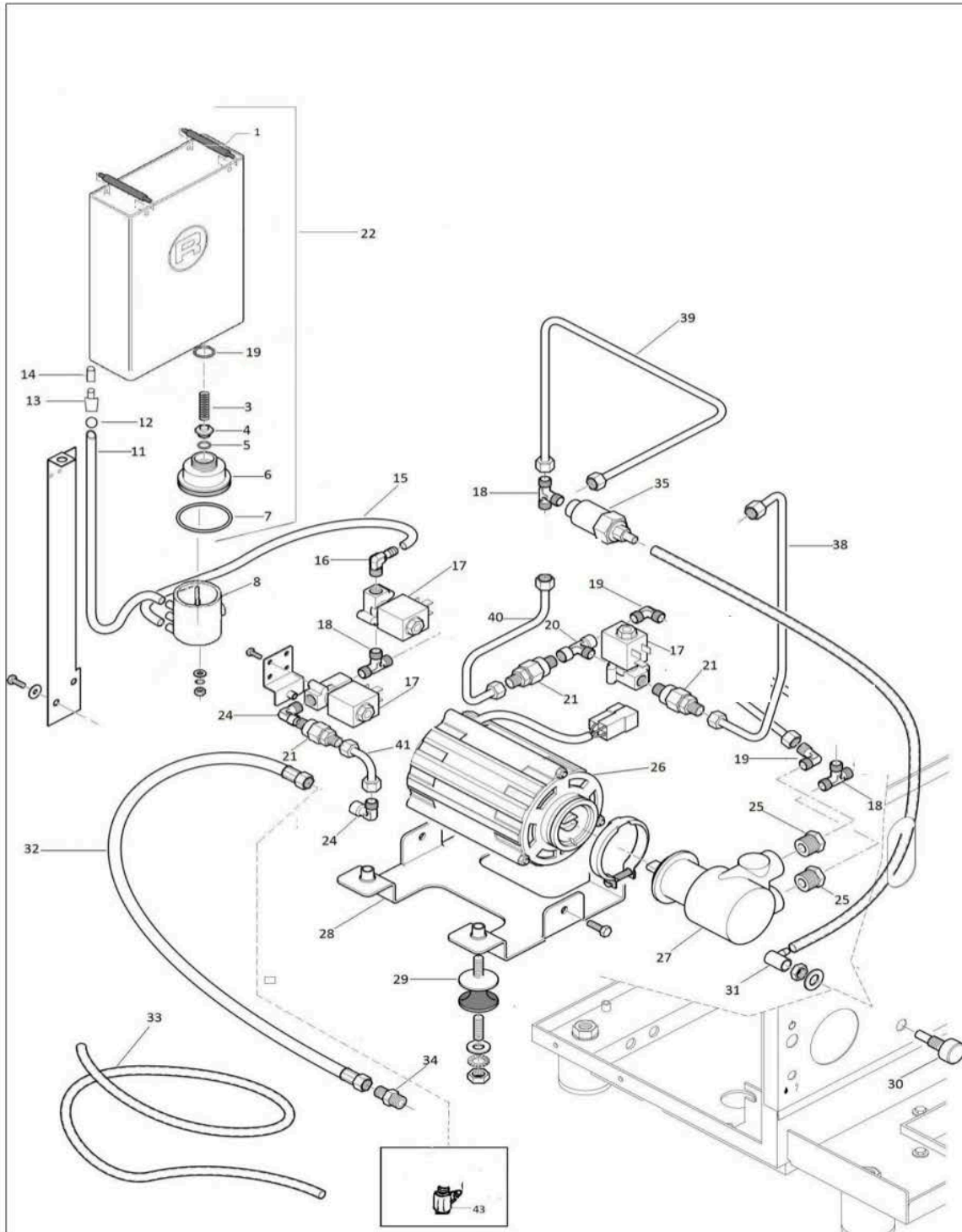
Espresso Machine

Spare parts catalogue

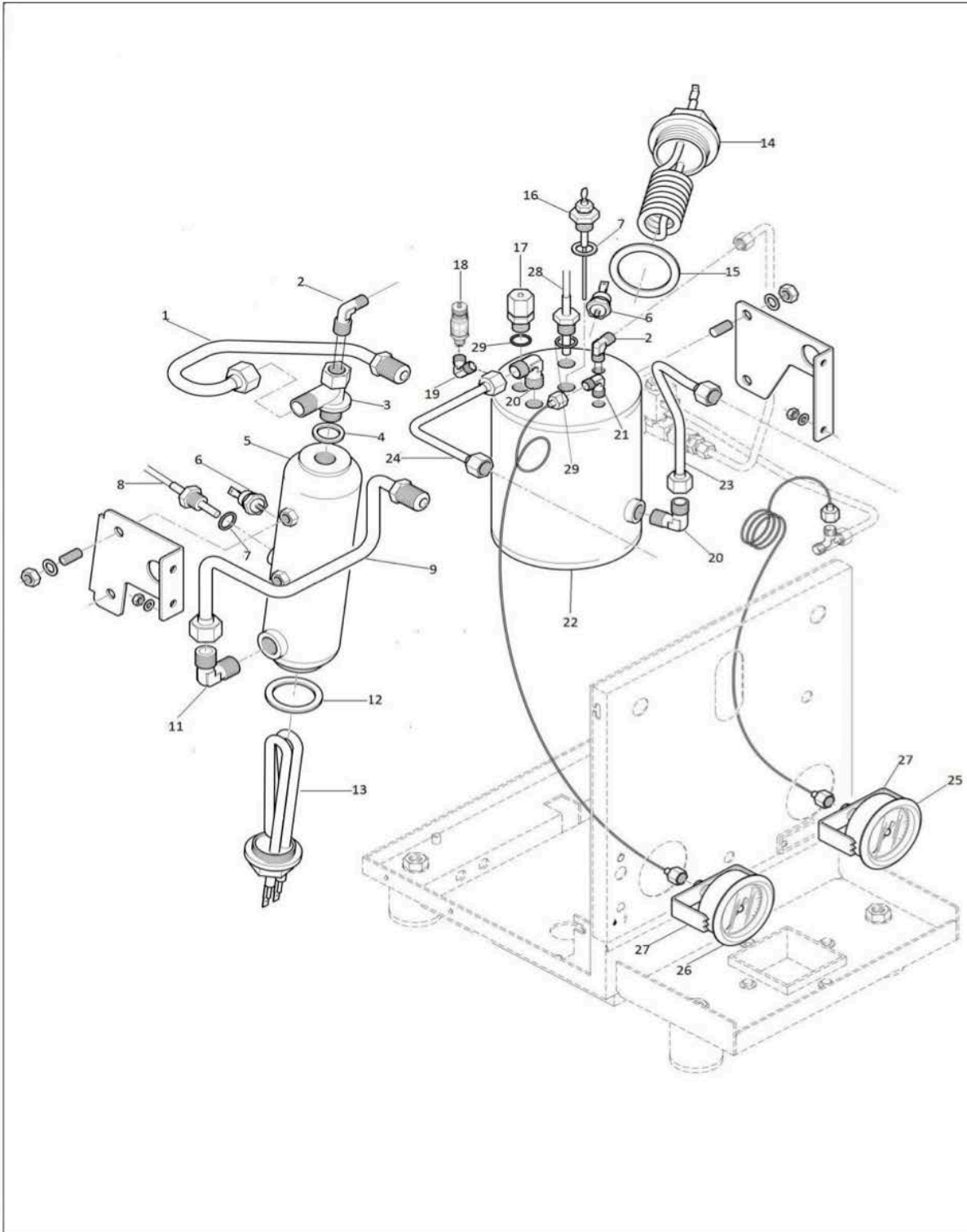
Ed. 10.2020



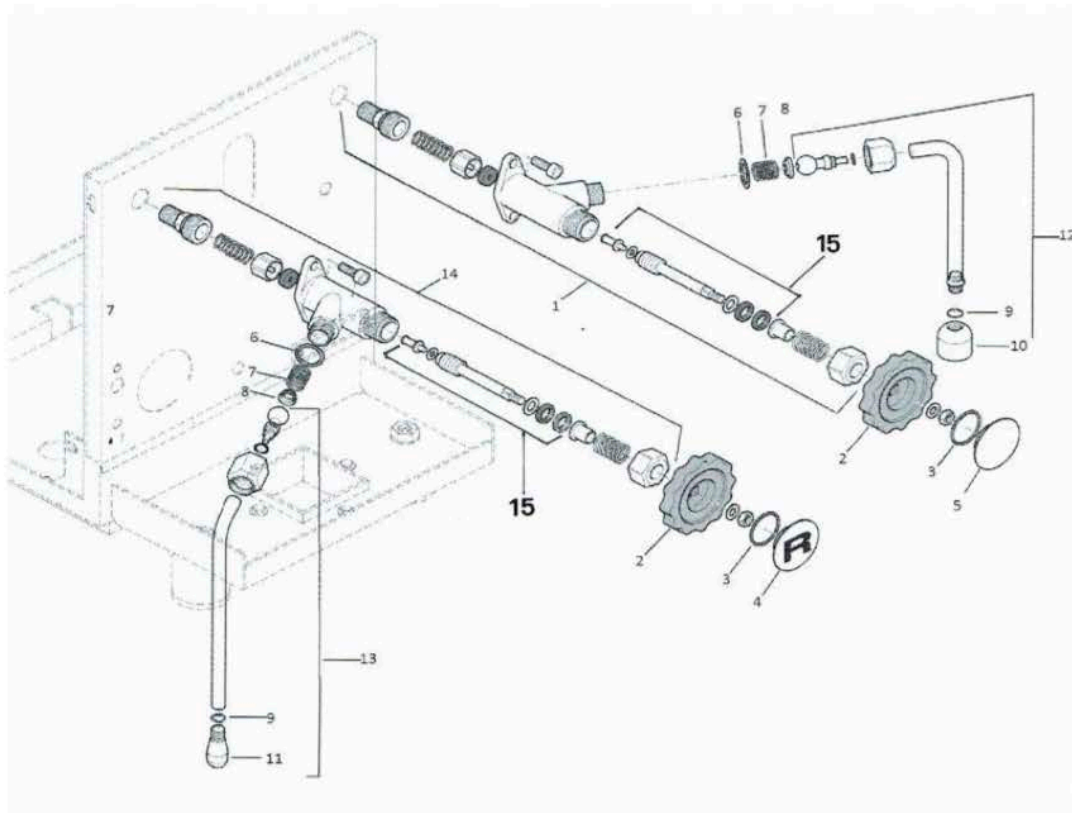
| Pos. | Code Nr. | Description | Euro | Notes |
|------|------------|----------------------|------|---|
| 1 | A619906932 | Cups frame | | |
| | A611006932 | Cups frame engraved | | |
| 2 | A059906933 | Cups frame rod | | |
| 3 | C01L000382 | Tank cover | | |
| 4 | A019906929 | Cups support panel | | |
| 5 | A019906927 | Side panel | | |
| 6 | A019906928 | Rear panel | | |
| 7 | A859904400 | Rear rocket tag | | |
| 8 | A019904656 | Tank guide | | |
| 9 | A019906937 | Tank guide bracket | | |
| 10 | R839907128 | Water control system | | |
| 11 | A019906926 | Chassis | | |
| 12 | A439905130 | Tray guide | | |
| 13 | A011006823 | Front panel | | |
| 14 | RA99906574 | Drip tray complete | | Composed by: grid (A019906573) + drip tray (R011006574) |
| 15 | A229904512 | Drip tray plug | | |
| 16 | A059907027 | Complete foot | | |
| 16c | A449906954 | Foot o -ring | | |
| 17 | A519906923 | Support display | | |
| 18 | A899906930 | Magnet | | |
| | A899906931 | Magnet | | |



| Pos. | Code Nr. | Description | Euro | Notes |
|--------|------------|--------------------------------|------|---|
| 1 | A639904956 | Water tank handle | | |
| 3 | C019900711 | Water tank spring | | |
| 4 | C430003482 | Water tank connector | | |
| 5 | C449900702 | O ring | | |
| 6 | A439905146 | Coupling | | |
| 7 | A449904547 | Lower tank Oring | | |
| 8 | R899906970 | Manifold complete with support | | |
| 8a | C520003483 | Opening valve rod | | till Sn D1314R581793 (use with 8 and 8b) |
| 8b | C449901159 | O ring | | till Sn D1314R581793 (use with 8 and 8a) |
| 11 | C260003822 | 6 x 9 Silicon pipe | | |
| 12 | C430003819 | Valve ball | | |
| 13 | C220003818 | Non return connector | | |
| 14 | C400001928 | 4 x 7 Silicon pipe | | |
| 15 | C499900769 | 5 x 8 Silicon pipe | | |
| 16 | A229904511 | Silicon pipe holder | | |
| 17 | C190004066 | Solenoid valve V230 | | |
| 17 A | C190004067 | Solenoid valve V115 | | |
| 18 | A229904358 | 1/8 T Connector M | | |
| 19 | A449905151 | Oring | | |
| 20 | C229900703 | 1/8 T Connector FMF | | |
| 21 | C229900540 | Non return valve | | |
| 24 | A229904445 | 1/8 L Connector MF | | |
| 25 | A229904356 | 3/8 - 1/8 MF Reduction | | |
| 26 | A199904493 | Pump motor V230 | | |
| 26 A | A199904494 | Pump motor V115 | | |
| 27 | A299904495 | Volumetric pump | | |
| 28 | A009904447 | Motor bracket | | |
| 29 | A499904364 | Motor schock absorber | | |
| 30 | A227704363 | Expansion output | | |
| 31 | C449900709 | Rubber connector | | |
| 32 | A299904390 | Direct water connection hose | | |
| 33 | M499904824 | 9 x12 Silicon pipe | | |
| 34 | A229904374 | 3/8 M-1/8 M Connector | | |
| 34 USA | A229905211 | 3/8 F-1/8 M Connector | | |
| 34 USA | A229905212 | 3/8 M - 9/16 M Connector | | |
| 35 | C229900911 | Expansion valve | | |
| 38 | A279904644 | Boiler fill pipe | | |
| 39 | A279906955 | Pipe | | |
| 40 | A279906956 | Pipe | | |
| 41 | A279904353 | Pump to solenoid valve pipe | | |
| 43 | A229904349 | Svivel connector | | |
| 22 | R899906849 | Water tank complete | | |

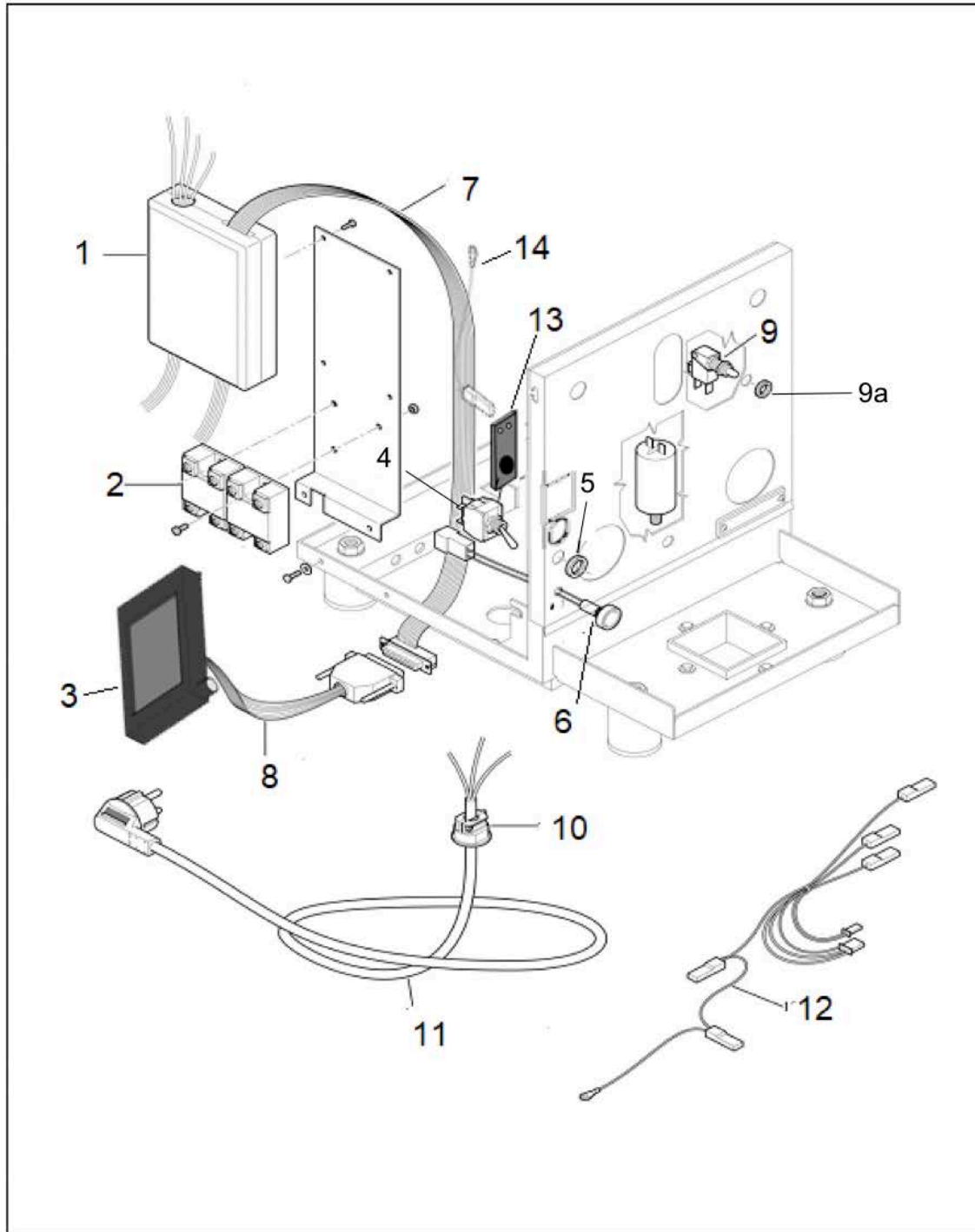


| Pos. | Code Nr. | Description | Euro | Notes |
|------|------------|-------------------------------|------|-------|
| 1 | A279905173 | Inlet pipe w. 3 mm restrictor | | |
| 2 | C229900393 | Injector | | |
| 3 | C229900740 | Connector | | |
| 4 | C479900673 | Copper gasket | | |
| 5 | A270004558 | Coffee boiler | | |
| 6 | C199901550 | Thermostat 135C | | |
| 7 | A269904417 | OR Viton 114 | | |
| 8 | A119905081 | NTC Probe | | |
| 9 | A279904641 | Return pipe | | |
| 11 | A229904957 | L Connector 3/8 MM | | |
| 12 | C469900239 | Heating element gasket | | |
| 13 | A199905013 | Heating element V230 | | |
| 13 A | A199905014 | Heating element V115 | | |
| 14 | A110004667 | Heating element V230 | | |
| 14 A | A110004668 | Heating element V115 | | |
| 15 | A269904671 | Heating element gasket | | |
| 16 | A199905078 | R58 Service boiler probe | | |
| 17 | A219905510 | Vacuum breaker valve | | |
| 18 | A229905084 | Safety valve 1.8 | | |
| 19 | A229904680 | 3/8 L Connector MF | | |
| 20 | C229900525 | 1/4 L Connector MM | | |
| 21 | A229904355 | 1/8 L Connector MM | | |
| 22 | A270004559 | Service boiler | | |
| 23 | A279904645 | Hot water pipe | | |
| 24 | A279904646 | Steam pipe | | |
| 25 | A219906185 | Pump pressure gauge | | |
| 26 | A219906186 | Boiler pressure gauge | | |
| 27 | A019905645 | Pressure gauge support | | |
| 28 | A119905081 | NTC Service boiler probe | | |
| 29 | A269904417 | Teflon gasket | | |

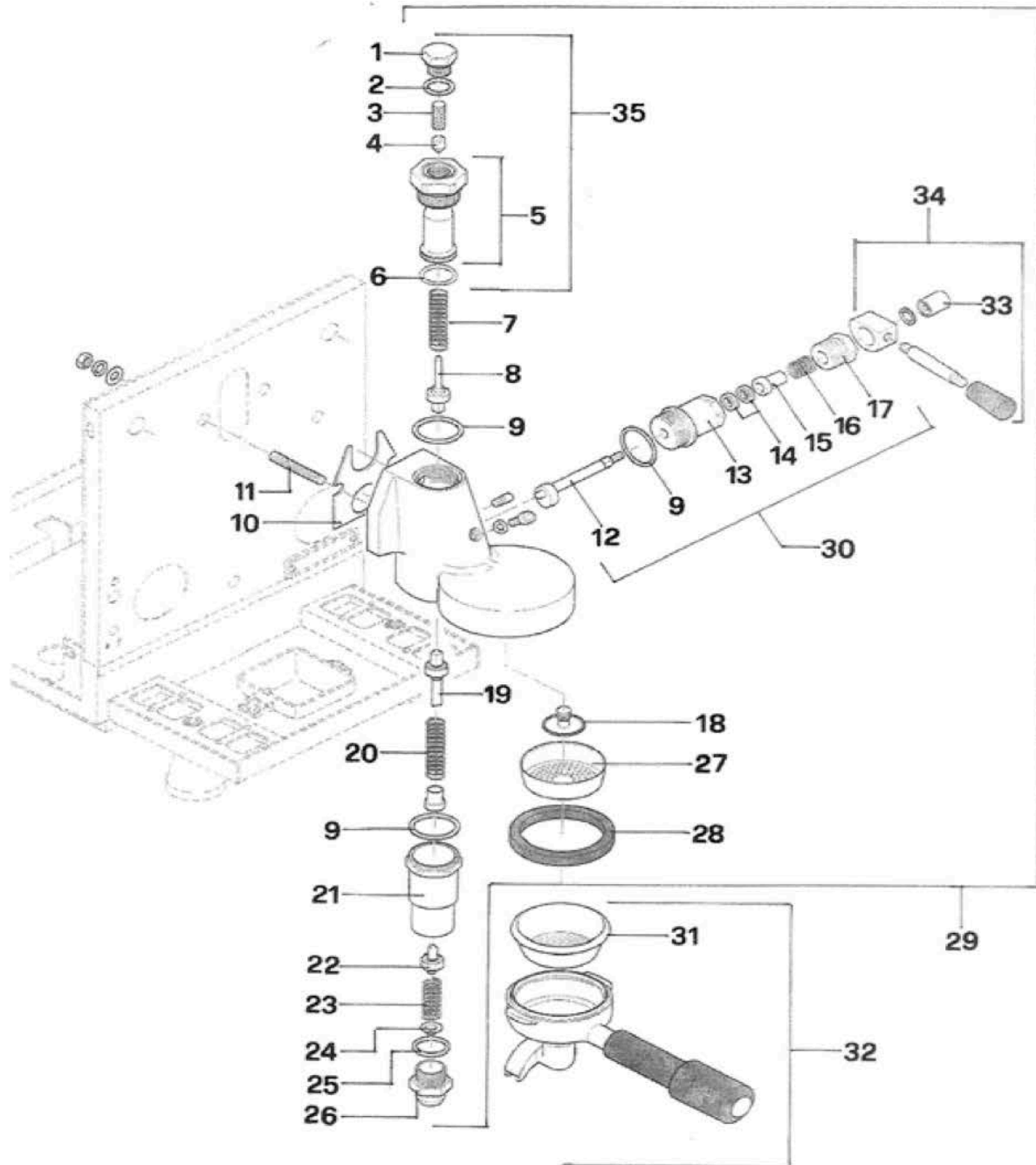


Steam and hot water assembly

| Pos. | Code | Description | Euro | Notes |
|------|------------|---------------------------------|------|------------------------|
| 1 | A227704669 | Hot water valve | | |
| 2 | A639905816 | Steam/hot water valve handle | | From serial # D1540R58 |
| 3 | A449904672 | Oring | | |
| 4 | A529R04649 | Steam cover handle | | |
| 5 | A527704649 | Hot water cover handle | | |
| 6 | A449904331 | Teflon gasket | | |
| 7 | A209904332 | Spring | | |
| 8 | A229904333 | Plate | | |
| 9 | C400002022 | Oring | | |
| 10 | R299905217 | Hot water nozzle | | |
| 11 | A899905091 | Steam tip 1.5 | | |
| 11a | A899905092 | Steam tip 1.2 | | |
| 12 | A219904650 | Hot water wand complete | | |
| 13 | A219904651 | Steam wand complete | | |
| 14 | A227705093 | Steam valve | | |
| 15 | R229905676 | Valve rod (compl. assembly kit) | | |



| Pos. | Code Nr. | Description | Euro | Notes |
|----------------|------------|--------------------------------|------|----------------------|
| 1 | A199906962 | Control Box V230 | | |
| 2 | A19004666 | Relay | | |
| 3 | A199906960 | TFT Display complete | | |
| 4 | A199906002 | On/Off switch | | |
| 5 | A527704305 | Nut | | |
| 4a JPN/CINA | A199904992 | On/Off switch | | |
| 5a JPN/CINA | A199904989 | Nut | | |
| 6 | A139904519 | Green lamp | | |
| 7 | A199906957 | Flat cable connection to board | | |
| 8 | A199904674 | Conn. cable board to display | | till Sn D1233R584657 |
| 8 | A199906959 | Cable machine to display | | from Sn D1233R584657 |
| 9 | A199905198 | Microswitch | | |
| 9a | A559905197 | Nut | | |
| 10 | C439900086 | Cord lock | | |
| 11 | C199900957 | CE Power cord | | |
| 11 | A199904518 | IS Power cord | | |
| 11 | A199904616 | KR Power cord | | |
| 11 | C199900958 | UL Power cord | | |
| 11 | C199901115 | AUS/NZ Power cord | | |
| 11 | C199901116 | GB Power cord | | |
| 11 | C199901510 | CH Power cord | | |
| 12 | A199907024 | Wiring loom | | |
| 13 | A199907083 | OLED Display | | |
| 14 | A199906722 | OLED Display cable | | |



| Pos. | # | Description | Euro | Notes |
|------|------------|----------------------------------|------|-------|
| 1 | A229904391 | Rounded nut | | |
| 2 | C469900420 | Gasket | | |
| 3 | C619900554 | Filter | | |
| 4 | C229900549 | Restrictor 0,8 | | |
| 6 | C469900422 | Green gasket | | |
| 7 | A999905754 | Spring | | |
| 8 | R229905608 | Valve | | |
| 9 | C469900421 | Teflon gasket | | |
| 10 | C449900767 | Gasket | | |
| 11 | A319904599 | Screw | | |
| 12 | R229905238 | Shaft | | |
| 13 | R000002142 | Flange | | |
| 14 | C219900426 | Gasket | | |
| 15 | R000002143 | Support | | |
| 16 | C219900427 | Spring | | |
| 17 | R000002144 | Cover | | |
| 18 | C229901228 | Diffuser | | |
| 19 | R229905239 | Valve | | |
| 20 | A999905754 | Spring | | |
| 21 | C229901165 | Cylinder | | |
| 22 | R229905609 | Valve | | |
| 23 | R299905958 | Spring | | |
| 24 | R000002148 | Connector | | |
| 25 | C469900783 | Gasket | | |
| 26 | R000002149 | Connector | | |
| 27 | C519900103 | Shower foil | | |
| 28 | C449900229 | Group gasket | | |
| 29 | C200002983 | Group complete | | |
| 30 | R299905887 | Cam kit | | |
| 31 | C610003902 | 7 g filter basket | | |
| | C610003901 | 14 g filterbasket | | |
| | C619900106 | Backflush cap ("blind filter") | | |
| 32 | A699905020 | 1 cup filter holder with basket | | |
| | A699905021 | 2 cups filter holder with basket | | |
| 33 | R000002146 | Pin | | |
| 34 | R299905888 | Lever assembly | | |
| 35 | RA99905814 | Ceramic group shaft | | |